

CX-ED1410 & CX-ED1420 Series 'ANSI' Grade 1 Fire Rated Electric Strikes



CX-ED1410

CX-ED1420



MORE FLEXIBILITY



BEST VALUE

Camden CX-ED1410 standard depth and CX-ED1420 low profile Grade 1 ANSI fire rated strikes are designed to provide affordable code compliance to UL fire rated doors/frames with cylindrical locksets.

These fire rated strikes are designed to deliver unparalleled application flexibility, with field selectable voltage and fail safe/fail secure operation.

Features

- Centerline latch entry, for cylindrical locksets
- UL 90 minute fire and UL 1034 burglary listed
- **CX-ED1410:** 5/8" - 3/4" (16mm - 19mm) latch projection
- **CX-ED1420:** 1/2" - 5/8" (12mm - 16mm) latch projection
- Dual voltage 12/24V AC/DC
- ANSI square faceplate included, 4-7/8" x 1-1/4" (124mm x 32mm)
- Field selectable fail safe / fail secure operation
- Trim plate included
- 5 year warranty

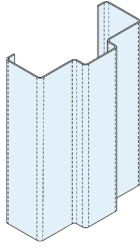
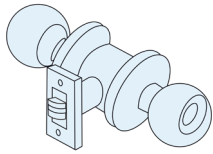


SPECIFICATIONS

VOLTAGE:	12/24V AC/DC
CURRENT DRAW:	260mA @ 12V AC/DC 150mA @ 24V AC/DC
STATIC HOLD FORCE:	1,500 Lbs.
DYNAMIC STRENGTH:	70 Ft-Lbs.
ENDURANCE:	1,000,000 Cycles (Factory Tested) 250,000 Cycles (UL Verified)
FIRE RATING:	90 Minutes (UL Verified)
OPERATION:	AC - Buzz, DC - Silent
LATCH PROJECTION:	CX-ED1410: 5/8" - 3/4" (16mm - 19mm) CX-ED1420: 1/2" - 5/8" (12mm - 16mm)
MODES:	Field selectable fail safe / fail secure (Fire rated in fail secure mode only)
DUTY:	Continuous
DIMENSIONS (BODY):	CX-ED1410: 3-3/8" L x 1-7/8" W x 1-3/8" D (86mm x 47mm x 35mm) CX-ED1420: 3-3/8" L x 1-7/8" W x 1-3/16" D (86mm x 47mm x 31mm)

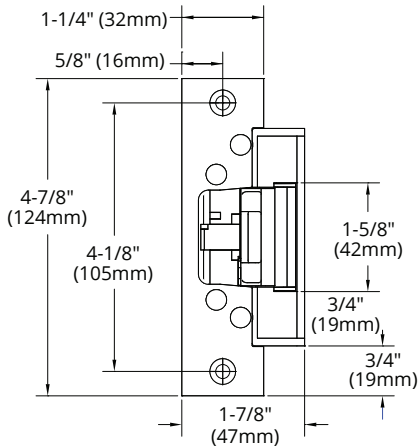
ORDERING INFORMATION

MODEL	
CX-ED1410	Grade 1 'ANSI' fire rated electric strike, 12/24V AC/DC, fail safe/fail secure operation
CX-ED1410-BK	As above, with all-black finish faceplate (BHMA 622, US19)
CX-ED1420	Grade 1, Low Profile 'ANSI' fire rated electric strike, 12/24V AC/DC, fail safe/fail secure operation
CX-ED1420-BK	As above, with all-black finish faceplate (BHMA 622, US19)

DOOR FRAME TYPE	COMPATIBLE LOCKSET
HOLLOW METAL FRAME	CYLINDRICAL
	

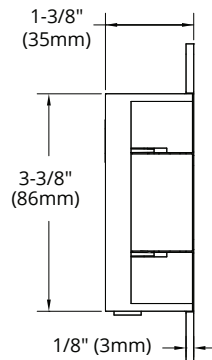
DIMENSIONS

CX-ED1410 & CX-ED1420:

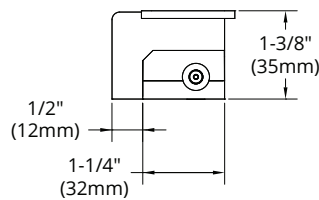


Front View

CX-ED1410:

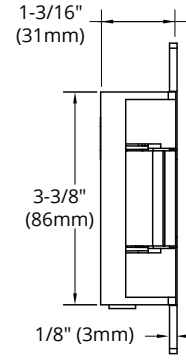


Side View

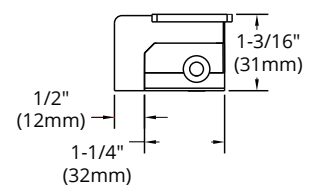


Top View

CX-ED1420:



Side View



Top View



Opening New Doors to Innovation, Quality, and Support!