



# LOCKING PRODUCTS

# TABLE OF CONTENTS

<b>ELECTRIC STRIKES .....</b>	<b>3</b>
CX-ED1079 Series: 'Universal' Grade 1 ANSI Strikes.....	3
CX-ED2071 & CX-ED2079 Series: 'Universal' Grade 2 ANSI Strikes .....	4
CX-ED1379 & CX-ED1309: 'Universal' Strikes for Narrow Stile.....	5
CX-ED1410: ANSI Grade 1 Fire Rated Strikes .....	6
ANSI Strike Faceplates .....	7
CX-ED1579L: 'All in One' Fire Rated Strikes.....	8
CX-ED1689L & CX-ED1799L 'All in One' Fire Rated Strikes .....	9
'All in One' Strike Faceplates.....	11
CX-EPD1289L Series: 3/4" 'Universal' RIM Strikes with Preload.....	12
CX-ED1959 Series: Outdoor Strikes .....	13
Electric Strike Cross Reference Chart.....	14
Lockset Reference Guide .....	15
<b>MAGNETIC LOCKS .....</b>	<b>18</b>
CX-90/91 Series: Single Door Magnetic Locks.....	19
CX-92S Series: Double Door Magnetic Locks .....	20
CX-91S & CX-92S Series: Mounting Accessories .....	21
CX-94: Gate Lock.....	22
CX-95S-DH: Magnetic Door Holder .....	22
Magnetic Lock Cross Reference Chart .....	23
CX-DE1200 Series: Delayed Egress Magnetic Locks .....	24
CX-DE1200 Delayed Egress Magnetic Locks Comparison Chart .....	26
CX-EPD0009: Magnetic Cabinet Lock.....	27
CX-ED0010: Electromechanical Cabinet Lock.....	27

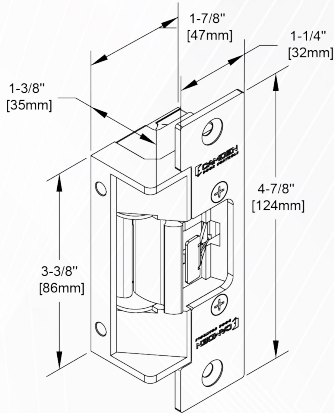
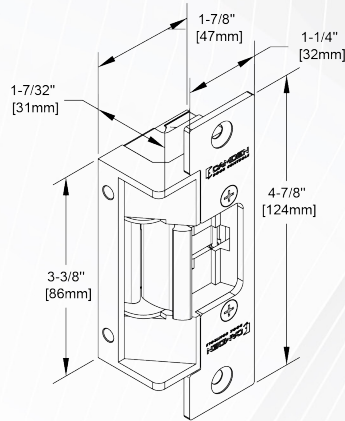
# CX-ED1079 SERIES: 'UNIVERSAL' GRADE 1 ANSI ELECTRIC STRIKES



CX-ED1079



CX-ED1079DL



## FEATURES

- CX-ED1079, low profile, 1/2" to 5/8" latch projection (throw)
- CX-ED1079DL, standard depth, 5/8" to 3/4" latch projection (throw)
- Horizontal adjustability of strike body
- 3 stainless steel faceplates included: ANSI square, hollow metal and wood door frame

## SPECIFICATIONS

<b>Voltage:</b>	12/24V AC/DC	
<b>Current Draw:</b>	260mA @ 12V AC/DC   150mA @ 24V AC/DC	
<b>Static Strength:</b>	1,500 Lbs	<b>Dynamic Strength:</b> 70 Ft-lbs
<b>Mode:</b>	Selectable Fail Safe/Fail Secure	
<b>Endurance:</b>	1,000,000 Cycles (Factory Tested)   250,000 Cycles (UL Verified)	
<b>Operation:</b>	AC - Buzz   DC - Silent	
<b>Duty:</b>	Continuous	<b>Latch Monitor:</b> SDPT, 100mA @ 24VDC

## STRIKES

<b>CX-ED1079</b>	Low Profile Grade 1 'Universal' electric strike, 12/24V AC/DC, fail safe/fail secure operation, horizontal adjustment, and 3 stainless steel faceplates (CX-ESP1B, CX-ESP3B & CX-ESP4B)
<b>CX-ED1079L</b>	As above, with latch monitoring
<b>CX-ED1079D</b>	Standard Depth Grade 1 'Universal' electric strike, 12/24V AC/DC, fail safe/fail secure operation, horizontal adjustment, and 3 stainless steel faceplates (CX-ESP1B, CX-ESP3B & CX-ESP4B)
<b>CX-ED1079DL</b>	As above, with latch monitoring

## FACEPLATES (See page 7 for dimensions)

### INCLUDED IN PACKAGE

<b>CX-ESP1B</b>	ANSI Square, stainless steel
<b>CX-ESP3B</b>	Hollow Metal Door, stainless steel
<b>CX-ESP4B</b>	Wood Door, stainless steel

### OPTIONAL FACEPLATES

<b>CX-ESP2B</b>	ANSI Round, stainless steel
<b>CX-ESP1B-BK</b>	ANSI Square, black finish (BHMA 622, US19)
<b>CX-ESP2B-BK</b>	ANSI Round, black finish (BHMA 622, US19)
<b>CX-ESP3B-BK</b>	Hollow Metal Door, black finish (BHMA 622, US19)
<b>CX-ESP4B-BK</b>	Wood Door, black finish (BHMA 622, US19)

## ACCESSORIES

### LIP EXTENSION BRACKETS

<b>CX-ED-LIP1</b>	1" Lip extension for ANSI strikes (stackable)
<b>CX-ED-LIP2</b>	2" Lip extension for ANSI strikes

### CUTTING JIGS (FOR 1/4" COLLET AND A 1/8" ROUTER BIT)

<b>CX-JIG1</b>	For CX-ED1079 (L) Strike, ANSI Round faceplates (CX-ESP2B)
<b>CX-JIG2</b>	For CX-ED1079 (L) Strike, Hollow metal door faceplates (CX-ESP3B)
<b>CX-JIG3</b>	For CX-ED1079D (L) Strike, ANSI Round faceplates (CX-ESP2B)
<b>CX-JIG4</b>	For CX-ED1079D (L) Strike, Hollow metal door faceplates (CX-ESP3B)
<b>CX-JIG5</b>	For CX-ED1079 & CX-ED1079D (L) Strikes, ANSI & Hollow metal door faceplates

### MARKING TEMPLATE

<b>CX-STR-TMPKIT</b>	Electric Strike Marking Template Kit (See page 10 for details)
----------------------	----------------------------------------------------------------



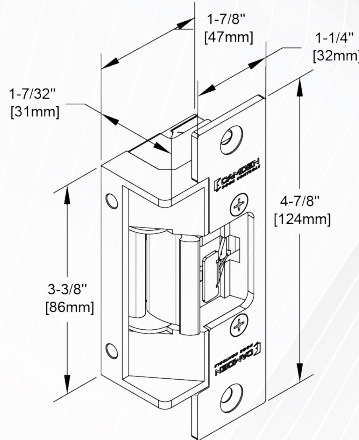
CX-ED-LIP1

CX-JIG1



# CX-ED2071 / CX-ED2079:

## 'UNIVERSAL' GRADE 2 ANSI ELECTRIC STRIKES



### FEATURES

- Grade 2 ANSI Strikes
- 1/2" to 5/8" latch projection
- Selectable fail safe / fail secure operation
- Horizontal adjustability of strike body
- 3 stainless steel faceplates included: ANSI square, hollow metal and wood door frame

### SPECIFICATIONS

<b>Voltage:</b>	<b>CX-ED2071:</b> 8 - 16V, AC/DC   <b>CX-ED2079:</b> 12/24V, AC/DC
<b>Current Draw:</b>	<b>CX-ED2071:</b> 305mA @ 8VDC, 625mA @ 16VDC 190mA @ 8VAC, 460mA @ 16VAC <b>CX-ED2079:</b> 300mA @ 12V AC/DC, 150mA @ 24V AC/DC
<b>Static Strength:</b>	1000 lbs
<b>Dynamic Strength:</b>	50 Ft-lbs
<b>Mode:</b>	Selectable Fail Safe/Fail Secure
<b>Endurance:</b>	<b>CX-ED2071 &amp; CX-ED2079:</b> 700,000 Cycles (Factory Tested) <b>CX-ED2079:</b> 250,000 Cycles (UL Verified)
<b>Operation:</b>	AC - Buzz   DC - Silent
<b>Duty:</b>	<b>CX-ED2071:</b> Intermittent   <b>CX-ED2079:</b> Continuous
<b>Mounting:</b>	Non-Handed

### STRIKES

<b>CX-ED2071</b>	'Universal' electric strike, 8 - 16V AC/DC, fail safe/fail secure operation, horizontal adjustment, w/ 3 stainless steel faceplates (CX-ESP1B, ESP3B & ESP4B)
<b>CX-ED2079*</b>	'Universal' electric strike, 12/24V AC/DC, fail safe/fail secure operation, horizontal adjustment, w/ 3 stainless steel faceplates (CX-ESP1B, ESP3B & ESP4B)
<b>CX-ED2079-1*</b>	'Universal' electric strike, 12/24V AC/DC, fail safe/fail secure operation, horizontal adjustment, w/ 1 stainless steel faceplate (CX-ESP1B)

### FACEPLATES (See page 7 for dimensions)

#### INCLUDED IN PACKAGE

<b>CX-ESP1B</b>	ANSI Square, stainless steel
<b>CX-ESP3B</b>	Hollow Metal Door, stainless steel
<b>CX-ESP4B</b>	Wood Door, stainless steel

#### OPTIONAL FACEPLATES

<b>CX-ESP2B</b>	ANSI Round, stainless steel
<b>CX-ESP1B-BK</b>	ANSI Square, black finish (BHMA 622, US19)
<b>CX-ESP2B-BK</b>	ANSI Round, black finish (BHMA 622, US19)
<b>CX-ESP3B-BK</b>	Hollow Metal Door, black finish (BHMA 622, US19)
<b>CX-ESP4B-BK</b>	Wood Door, black finish (BHMA 622, US19)

### ACCESSORIES

#### LIP EXTENSION BRACKETS

<b>CX-ED-LIP1</b>	1" Lip extension for ANSI strikes (stackable)
<b>CX-ED-LIP2</b>	2" Lip extension for ANSI strikes

#### CUTTING JIGS (FOR 1/4" COLLET AND A 1/8" ROUTER BIT)

<b>CX-JIG1</b>	For CX-ED2071 / 2079 Strike, ANSI Round faceplate (CX-ESP2B)
<b>CX-JIG2</b>	For CX-ED2071 / 2079 Strike, Hollow metal door faceplates (CX-ESP3B)

#### MARKING TEMPLATE

<b>CX-STR-TMPKIT</b>	Electric Strike Marking Template Kit (See page 10 for details)
----------------------	----------------------------------------------------------------

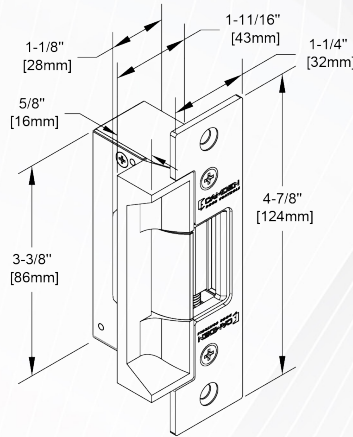


CX-ED-LIP1

CX-JIG1



# CX-ED1379 / CX-ED1309: 'UNIVERSAL' GRADE 1 STRIKES FOR NARROW STILE ALUMINUM FRAME



## FEATURES

- For cylindrical locksets and spring latches
- Selectable fail safe/fail secure
- Selectable 12/24V AC/DC
- 1/2" to 5/8" latch projection
- Easy fit connectors
- A range of aluminum and dark bronze face plates

## SPECIFICATIONS

<b>Voltage:</b>	12/24V AC/DC
<b>Current Draw:</b>	260mA @ 12V AC/DC 150mA @ 24V AC/DC
<b>Static Strength:</b>	1,500 lbs
<b>Dynamic Strength:</b>	70 Ft-lbs
<b>Mode:</b>	Fail Safe/Fail Secure Field Selectable
<b>Operation:</b>	AC - Buzz   DC - Silent
<b>Endurance:</b>	1,000,000 Cycles (Factory Tested) 250,000 Cycles (UL Verified)
<b>Duty:</b>	Continuous (DC)
<b>Faceplates:</b>	<b>CX-ED1379:</b> Brushed Aluminum (BHMA 628) Dark Bronze (BHMA 710)

## STRIKES

<b>CX-ED1379</b>	Grade 1 'Universal' Electric Strike, 12/24V AC/DC, fail safe/fail secure operation, includes: (1) CX-ESF-2 ANSI Round Faceplate - Brushed Aluminum finish (1) CX-ESF-2BZ ANSI Round Faceplate - Dark Bronze finish
<b>CX-ED1309</b>	Grade 1 'Universal' Electric Strike Body, 12/24V AC/DC, fail safe/fail secure operation. Faceplates sold separately.

## FACEPLATES (See page 7 for dimensions)

### BRUSHED ALUMINUM FINISH (BHMA 628) - FOR CX-ED1309

<b>CX-ESF-1</b>	ANSI Square Faceplate
<b>CX-ESF-2</b>	ANSI Round Faceplate
<b>CX-ESF-2BR</b>	Radius ANSI Round Faceplate
<b>CX-ESF-3</b>	Hollow Metal Faceplate
<b>CX-ESF-3BR</b>	Radius Hollow Metal Faceplate
<b>CX-ESF-4</b>	Wood Frame Faceplate

### DARK BRONZE FINISH (BHMA 710) - FOR CX-ED1309

<b>CX-ESF-1BZ</b>	ANSI Square Faceplate
<b>CX-ESF-2BZ</b>	ANSI Round Faceplate
<b>CX-ESF-2BR-BZ</b>	Radius ANSI Round Faceplate
<b>CX-ESF-3BZ</b>	Hollow Metal Faceplate
<b>CX-ESF-3BR-BZ</b>	Radius Hollow Metal Faceplate
<b>CX-ESF-4BZ</b>	Wood Frame Faceplate

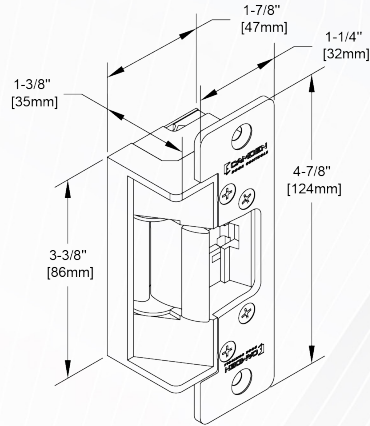
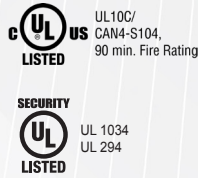
## MARKING TEMPLATE

<b>CX-STR-TMPKIT</b>	Electric Strike Marking Template Kit (See page 10 for details)
----------------------	----------------------------------------------------------------



# CX-ED1410 SERIES:

## ANSI GRADE 1 FIRE RATED ELECTRIC STRIKE



### FEATURES

- 5/8" to 3/4" latch projection
- Selectable fail safe / fail secure (fire rating voided in fail safe mode)
- Continuous duty operation
- Non-handed
- 5 year warranty

### SPECIFICATIONS

<b>Voltage:</b>	12/24V AC/DC
<b>Current Draw:</b>	260mA @ 12V AC/DC 150mA @ 24V AC/DC
<b>Static Strength:</b>	1,500 Lbs
<b>Dynamic Strength:</b>	70 Ft-lbs
<b>Mode:</b>	Field Selectable, Fail Safe/Fail Secure (Fire Rated in Fail Secure Mode Only)
<b>Operation:</b>	AC - Buzz   DC - Silent
<b>Endurance:</b>	1,500,000 Cycles (Factory Tested) 250,000 Cycles (UL Verified)
<b>Duty:</b>	Continuous
<b>Latch Projection:</b>	5/8" - 3/4" (16mm - 19mm)
<b>Fire Rating:</b>	90 Minutes (UL Verified)

### STRIKES

<b>CX-ED1410</b>	Grade 1 ANSI fire-rated electric strike, 12/24V AC/DC, fail safe/fail secure operation
<b>CX-ED1410-BK</b>	As above, with all-black finish faceplate (BHMA 622, US19)

### ACCESSORIES

CUTTING JIGS (FOR 1/4" COLLET AND A 1/8" ROUTER BIT)	
<b>CX-JIG3</b>	For CX-ED1410 Strike
MARKING TEMPLATE	
<b>CX-STR-TMPKIT</b>	Electric Strike Marking Template Kit (See page 10 for details)



CX-JIG3



# ANSI STRIKE FACEPLATES

## CX-ED1079 & CX-ED2079 FACEPLATE OPTIONS

INCLUDED IN PACKAGE			OPTIONAL FACEPLATE
<p><b>CX-ESP1B</b></p> <p><b>ANSI Square</b></p>	<p><b>CX-ESP3B</b></p> <p><b>Hollow Metal Door</b></p>	<p><b>CX-ESP4B</b></p> <p><b>Wood Door</b></p>	<p><b>CX-ESP2B</b></p> <p><b>ANSI Round</b></p>

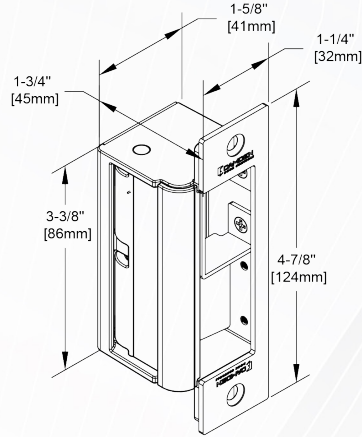
## CX-ED1379 FACEPLATE OPTIONS

Brushed Aluminum Finish (BHMA 628) / Dark Bronze Finish (BHMA 710)

<p><b>CX-ESF-1: Aluminum Finish</b> <b>CX-ESF-1BZ: Dark Bronze Finish</b></p> <p><b>ANSI Square</b></p>	<p><b>CX-ESF-2: Aluminum Finish</b> <b>CX-ESF-2BZ: Dark Bronze Finish</b></p> <p><b>ANSI Round</b></p>	<p><b>CX-ESF-3: Aluminum Finish</b> <b>CX-ESF-3BZ: Dark Bronze Finish</b></p> <p><b>Hollow Metal Frame</b></p>	<p><b>CX-ESF-4: Aluminum Finish</b> <b>CX-ESF-4BZ: Dark Bronze Finish</b></p> <p><b>Wood Frame</b></p>
-------------------------------------------------------------------------------------------------------------	------------------------------------------------------------------------------------------------------------	--------------------------------------------------------------------------------------------------------------------	------------------------------------------------------------------------------------------------------------

# CX-ED1579L:

## 'ALL IN ONE' GRADE 1 FIRE RATED ELECTRIC STRIKE



### FEATURES

- 3/4" (19mm) latch projection (throw)
- Built-in latch monitoring
- Non-handed, LH/RH
- Easy fit connectors for power and monitoring wires

### SPECIFICATIONS

<b>Voltage:</b>	12/24V AC/DC
<b>Current Draw:</b>	260mA @ 12V AC/DC 150mA @ 24V AC/DC
<b>Static Strength:</b>	1,500 Lbs
<b>Dynamic Strength:</b>	70 Ft-lbs
<b>Mode:</b>	Fail Safe/Fail Secure Field Selectable
<b>Endurance:</b>	1,500,000 Cycles (Factory Tested) 250,000 Cycles (UL Verified)
<b>Operation:</b>	AC - Buzz   DC - Silent
<b>Duty:</b>	Continuous
<b>Latch Bolt Monitor:</b>	SDPT, 100mA @ 24VDC
<b>Mounting:</b>	Non-Handed
<b>Fire Rating:</b>	UL 10C/CAN4-S104   3 Hrs. (Fail Secure Only)

### STRIKES

**CX-ED1579L** Grade 1 'All in One' Fire Rated Strike 12/24V AC/DC, for mortise & cylindrical locksets

### FACEPLATES (See pg. 11 for dimensions)

#### INCLUDED IN PACKAGE

- CX-EMP-1** Stainless steel faceplate for Sargent, Schlage and Yale mortise locksets
- CX-EMP-2** Stainless steel faceplate for Arrow, Corbin, and Best mortise locksets
- CX-EMP-3** Stainless steel faceplate for centerline mortise or cylindrical locksets
- CX-EMP-4** Stainless steel faceplate for mortise locksets with deadbolt
- CX-EMP-5** Stainless steel faceplate for all mortise locks that include both latch and deadbolt

### ACCESSORIES

#### CUTTING JIGS (FOR 1/4" COLLECT AND 1/8" ROUTER BIT)

**CX-JIG6** For CX-ED1579L Strike, ANSI Faceplate (CX-EMP-3)

#### MARKING TEMPLATE

**CX-STR-TMPKIT** Electric Strike Marking Template Kit (See page 10 for details)



CX-JIG1





# CX-ED1689L & CX-ED1799L SERIES:

## LOW PROFILE & DUAL MONITOR

### 'ALL IN ONE' FIRE RATED ELECTRIC STRIKES

SECURITY



UL 1034  
UL 294



UL10C/  
CAN4-S104,  
3hr. Fire rating



UL10C/  
CAN4-S104,  
3hr. Fire rating

CYLINDRICAL  
LOCKSET



MORTISE  
LOCKSET



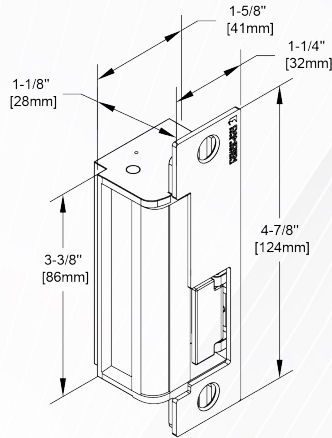
GRADE

1

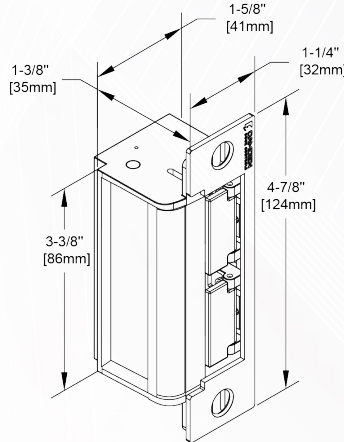
FIRE RATED



CX-ED1689L\*



CX-ED1799L\*\*



## FEATURES

- A range of strike and faceplate packages for latchbolts and deadbolts
- 1 or 2 latch and deadbolt monitoring switches included
- Magnetic door position switch
- Strike power monitor
- Non-handed, left or right

## SPECIFICATIONS

<b>Voltage:</b>	12/24V AC/DC
<b>Current Draw:</b>	300mA @ 12V AC/DC   150mA @ 24V AC/DC
<b>Static Strength:</b>	1,500 Lbs
<b>Dynamic Strength:</b>	70 Ft-lbs
<b>Mode:</b>	Selectable Fail Safe/Fail Secure
<b>Endurance:</b>	1,500,000 Cycles (Factory Tested) 250,000 Cycles (UL Verified)
<b>Operation:</b>	AC - Buzz   DC - Silent
<b>Duty:</b>	Continuous
<b>Latch Bolt Monitor:</b>	SPST 100mA @ 24VDC, Resistive
<b>Strike Monitor Status:</b>	SPDT 100mA @ 24VDC, Resistive
<b>Dead Bolt Monitor:</b>	<b>CX-ED1799L:</b> SPST 100mA @ 24VDC

## ELECTRIC STRIKES WITHOUT FACEPLATES

<b>CX-ED1689L</b>	Low Profile Strike Body with Latch Monitor Switch
<b>CX-ED1799L</b>	Strike Body with Latch & Deadbolt Monitor Switches

## STRIKE AND MULTI FACEPLATE PACKS

### LOW PROFILE

<b>CX-ED1689L-4</b>	Strike w/ Latch Monitor, (4) Faceplates for Latchbolts Includes: CX-EMP100, CX-EMP200, CX-EMP300, CX-EMP400
---------------------	-------------------------------------------------------------------------------------------------------------------

### STANDARD DEPTH DUAL MONITOR

<b>CX-ED1799L-8</b>	Strike w/ 2 Monitors, (8) Faceplate Package for Latchbolts & Deadbolts Includes: CX-EMP100, CX-EMP200, CX-EMP300, CX-EMP400, CX-EMP110, CX-EMP210, CX-EMP310, CX-EMP410
---------------------	----------------------------------------------------------------------------------------------------------------------------------------------------------------------------------

## ACCESSORIES

### MARKING TEMPLATE

<b>CX-STR-TMPKIT</b>	Electric Strike Marking Template Kit (See page 10 for details)
----------------------	-------------------------------------------------------------------



## FACEPLATES (See pg. 11 for Dimensions)

### ANSI SQUARE METAL DOOR FRAME STAINLESS STEEL FACEPLATES

<b>CX-EMP-100</b>	Centerline applications. Compatible with all cylindrical locksets
<b>CX-EMP-200</b>	Deadlatch positioned above latchbolt. Compatible with Baldwin, PDQ, Marks locksets
<b>CX-EMP-300</b>	Deadlatch positioned above latch. Compatible with Sargent 8100 / 7700, Schlage, Yale 8700 locksets
<b>CX-EMP-400</b>	Deadlatch positioned below the latchbolt. Compatible with Corbin Russwin, Falcon, Sargent 7800 locksets
<b>CX-EMP-110</b>	Deadbolt used for night latch function only. Compatible with Marks, Omnia, PDQ, Arrow, Accurate locksets
<b>CX-EMP-210</b>	Deadlatch positioned below the latchbolt. Compatible with Corbin Russwin, Best 45 / 47, Falcon, Sargent 7800 / 8200 / 9200 locksets
<b>CX-EMP-310</b>	Deadbolt used for night latch function only. Compatible with Sargent 7700 / 8100, Yale 8700 locksets
<b>CX-EMP-410</b>	Used for 1" deadbolt and no latch. Compatible with Marks, Baldwin, Arrow, PDQ, Omnia locksets

### WOOD DOOR FRAME STAINLESS STEEL FACEPLATES

<b>CX-EMP-100W</b>	Deadbolt used for night latch function only. Compatible with Marks, Omnia, PDQ, Arrow, Accurate locksets
<b>CX-EMP-110W</b>	Centerline applications. Compatible with all cylindrical locksets
<b>CX-EMP-400W</b>	Deadlatch positioned above the latch bolt. Compatible with all cylindrical locksets

### ANSI SQUARE METAL DOOR FRAME ALL-BLACK FINISH FACEPLATES (BHMA 622, US19)

<b>CX-EMP-100-BK</b>	Centerline applications. Compatible with all cylindrical locksets
<b>CX-EMP-200-BK</b>	Deadlatch positioned above latchbolt. Compatible with Baldwin, PDQ, Marks locksets
<b>CX-EMP-300-BK</b>	Deadlatch positioned above latch. Compatible with Sargent 8100 / 7700, Schlage, Yale 8700 locksets
<b>CX-EMP-400-BK</b>	Deadlatch positioned below the latchbolt. Compatible with Corbin Russwin, Falcon, Sargent 7800 locksets
<b>CX-EMP-110-BK</b>	Deadbolt used for night latch function only. Compatible with Marks, Omnia, PDQ, Arrow, Accurate locksets
<b>CX-EMP-210-BK</b>	Deadlatch positioned below the latchbolt. Compatible with Corbin Russwin, Best 45 / 47, Falcon, Sargent 7800 / 8200 / 9200 locksets
<b>CX-EMP-310-BK</b>	Deadbolt used for night latch function only. Compatible with Sargent 7700 / 8100, Yale 8700 locksets
<b>CX-EMP-410-BK</b>	Used for 1" deadbolt and no latch. Compatible with Marks, Baldwin, Arrow, PDQ, Omnia locksets

## CAMDEN'S STRIKE MARKING TEMPLATES MAKE INSTALLATION A BREEZE!

Strike marking template kit, CX-STR-TMPKIT, includes a set of 5 heavy-duty metal templates for Camden's entire range of strikes. This includes templates for Grade 1 and 2 ANSI strikes, an ANSI fire-rated strike, an ANSI storefront strike, and an all-in-one mortise strike. They are conveniently packaged in a branded zipper pouch, complete with a screwdriver and marking pencil!

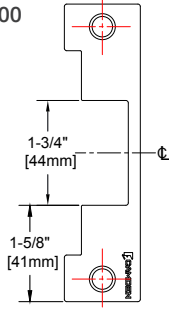


# 'ALL IN ONE' STRIKE FACEPLATES

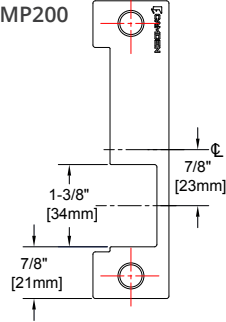
## CX-ED1689L & CX-ED1799L FACEPLATE OPTIONS

METAL DOOR FRAME FACEPLATES (ADD '-BK' TO FACEPLATE MODEL NUMBER FOR BLACK FACEPLATE OPTION, BHMA 622, US19)

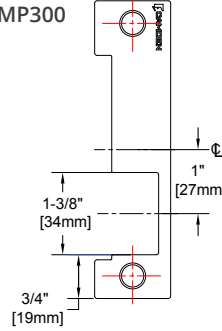
CX-EMP100



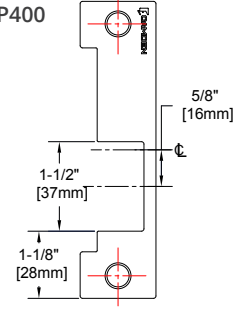
CX-EMP200



CX-EMP300

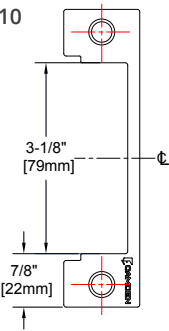


CX-EMP400

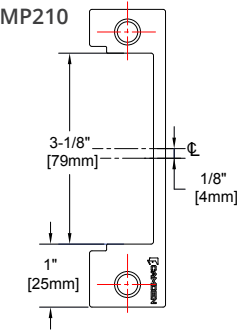


## METAL DOOR FRAME FACEPLATES FOR CX-ED1799L

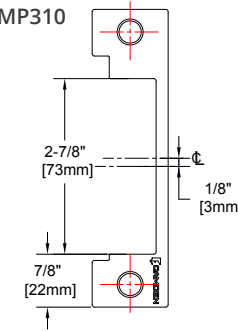
CX-EMP110



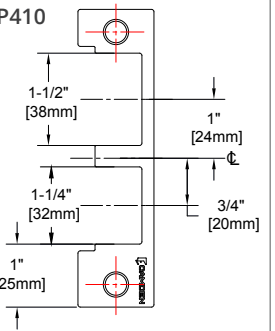
CX-EMP210



CX-EMP310

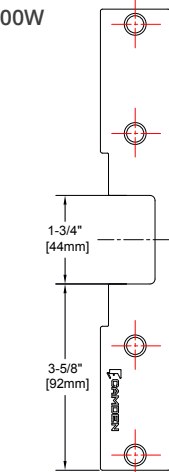


CX-EMP410

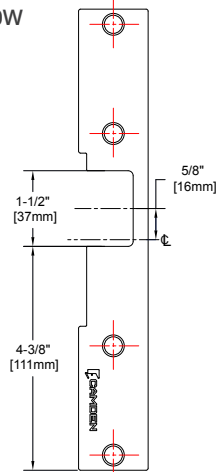


## WOOD DOOR FRAME FACEPLATES

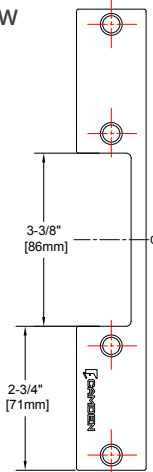
CX-EMP100W



CX-EMP400W

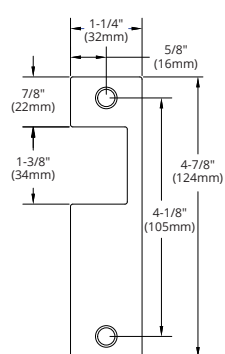


CX-EMP110W

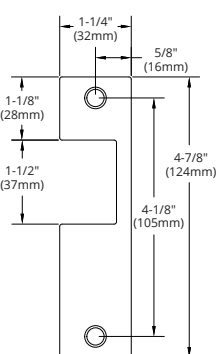


## CX-ED1579 FACEPLATE OPTIONS

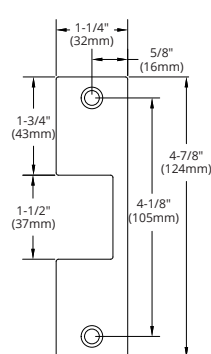
CX-EMP-1



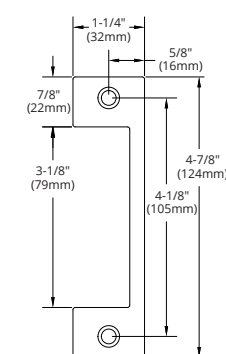
CX-EMP-2



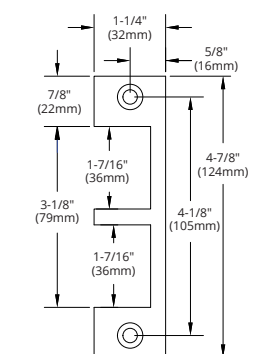
CX-EMP-3



CX-EMP-4



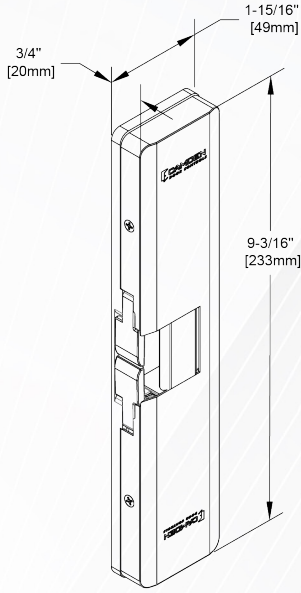
CX-EMP-5



# CX-EPD1289L SERIES:

3/4" 'UNIVERSAL' GRADE 1 FIRE RATED RIM STRIKES WITH PRELOAD

EXIT DEVICES 	GRADE <b>1</b>	FIRE RATED 
---------------------------------------------------------------------------------------------------	-------------------	-------------------------------------------------------------------------------------------------



## FEATURES

- 'No Cut' surface mount RIM strike for Pullman latches
- Patented design operates with up to 15 lbs of preload pressure
- 3/4" latch projection
- Metal mounting jig included for easy installation
- Horizontal adjustment, spacer plate available
- Removable latch monitoring switch included
- Non-handed, left or right

## SPECIFICATIONS

<b>Voltage:</b>	12/24V AC/DC
<b>Current Draw:</b>	560mA @ 12V AC/DC   280mA @ 24V AC/DC
<b>Strength:</b>	Static: 1,500 lbs   Dynamic: 70 Ft-lbs
<b>Mode:</b>	Fail Safe/Fail Secure
<b>Operation:</b>	AC - Buzz   DC - Silent
<b>Endurance:</b>	1,000,000 Cycles (Factory Tested) 250,000 Cycles (UL Verified)
<b>Duty:</b>	Continuous
<b>Preload (Fail Secure Only):</b>	15 lbs
<b>Mechanical Adjustment:</b>	Strike Body
<b>Latch Projection:</b>	3/4"
<b>Latch Bolt Monitor:</b>	SPDT, 100mA @ 24VDC Resistive
<b>Fire Rating:</b>	UL 10C/CAN4-S104   3 Hrs. (Fail Secure)

## STRIKES

<b>CX-EPD1289L</b>	Surface mount Grade 1 RIM strike with preload, 12/24V AC/DC, fail safe/fail secure, w/ 'plug-in' latch monitor assembly and metal mounting jig
<b>CX-EPD1289L-BK</b>	All-black finish, Surface mount Grade 1 RIM strike with preload, 12/24V AC/DC, fail safe/fail secure, w/ 'plug-in' latch monitor assembly and metal mounting jig

## SPACER PLATE

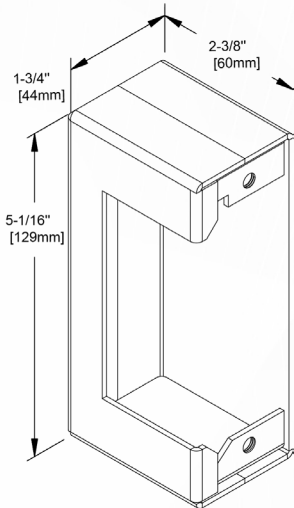
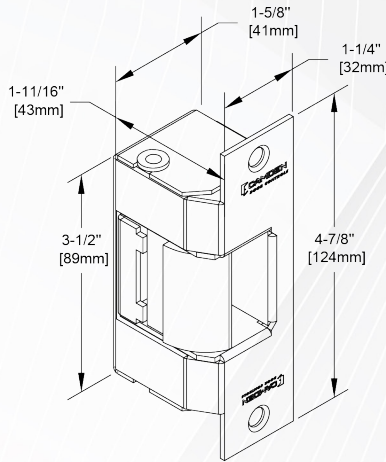
<b>CX-EPD1289L-SPC</b>	1/8" Spacer plate for CX-EPD1289L surface mount RIM strike
------------------------	------------------------------------------------------------



SCAN ME



# CX-ED1959 SERIES: OUTDOOR RATED ELECTRIC STRIKES



Metal Mounting Box

## FEATURES

- UL Grade 1 strike for exterior doors & gates
- Heavy-duty stainless-steel construction with integrated ANSI square faceplate
- Metal surface mount box included
- 7/8" Opening for latch & mortise locksets
- Easy fit connectors

## SPECIFICATIONS

<b>Voltage:</b>	12/24VDC
<b>Current Draw:</b>	280mA @ 12VDC 140mA @ 24VDC
<b>Static Strength:</b>	1,500 lbs
<b>Dynamic Strength:</b>	70 Ft-lbs
<b>Mode:</b>	Selectable Fail Safe/Fail Secure
<b>Endurance:</b>	1,000,000 Cycles (Factory Tested) 250,000 Cycles (UL Verified)
<b>Latch Opening:</b>	1-9/16" x 7/8" (40mm x 22mm)
<b>Duty:</b>	Continuous

## STRIKES

<b>CX-ED1959-MB</b>	Outdoor rated Grade 1 strike for exterior doors and gates, designed for use with cylindrical & centerline mortise locksets. Supplied with metal mounting box.
<b>CX-ED1959RM-MB</b>	Outdoor rated Grade 1 strike for use with RIM exit devices, with standard or Pullman latches. Supplied with metal mounting box.



# ELECTRIC STRIKE CROSS REFERENCE CHART

DESCRIPTION	CAMDEN	RCI (DORMA KABA)	H.E.S.	ADAMS RITE	TRINE	VON DUPRIN	LOCKNETICS	NOTES
3/4" Surface Mount RIM Strike	CX-EPD1289L	RCI F0162	9500/9600	N/A	4800F	6300	RS-300-F-32D	Camden Includes Preload, Security and 3 Hour Fire Rating
Low Profile 'All in One' Fire Rated Electric Strike	CX-ED1689L-4	N/A	1500	N/A	4100	N/A	N/A	Camden Includes 4 Faceplates, 3 Hour Fire Rating, and Monitoring as Standard
Dual Monitor 'All in One' Fire Rated Electric Strike	CX-ED1799L-8	N/A	1600	N/A	N/A	N/A	N/A	Camden Includes 8 Faceplates, 3 Hour Fire Rating, and Monitoring as Standard
'All in One' Grade 1 Fire Rated Electric Strike	CX-ED1579L	F2164	1006CLb	N/A	4100CDBM	6400	MS100F	Camden Includes 5 Faceplates, 3 Hour Fire Rating, and Latch Monitoring as Standard
Cylindrical, Grade 1, Low Profile	CX-ED1079	L65U	5000C	N/A	N/A	4200	CS-450	Camden Includes 3 Faceplates as Standard
Cylindrical Grade 1, Standard Depth	CX-ED1079D	S65U	5200C	N/A	4200	N/A	CS-750	Camden Includes 3 Faceplates as Standard
Cylindrical, Grade 1, Fire Rated	CX-ED1410	F4114	7501	7240	N/A	6200	N/A	Camden Includes 1 Faceplate (ANSI w/ Square Corners) as Standard, and 90 min. Fire Rating
Cylindrical, Grade 2, Low Profile	CX-ED2079	L65U	N/A	N/A	4200	5100	CS-450	Camden Includes 3 Faceplates
'Universal' Grade 1, Narrow Stile Aluminum	CX-ED1309 Series	N/A	N/A	7100	N/A	N/A	N/A	Camden Includes 2 ANSI Faceplates
Outdoor Rated, Grade 1 Electric Gate Strike	CX-ED1959-MB/ CX-ED1959RM-MB	N/A	N/A	N/A	EN400	N/A	N/A	Camden Includes a Metal Surface Mounting Box

*Note: Specifications are subject to change without notice.*

# LOCKSET COMPATIBILITY CHART

ARROW									TOWN STEEL			BEST ACCESS		
MORTISE LOCKSETS	CAMDEN STRIKE	FIRE-RATED OPTION	QL93	CX-ED1079	CX-ED1410	SC8466	CX-ED1799L-8	MSS04	CX-ED1689L-4		MORTISE LOCKSETS	CAMDEN STRIKE	FIRE-RATED OPTION	
AM SERIES			MLX SERIES			SC8082	CX-ED1689L-4	MSS05	CX-ED1689L-4		40H SERIES			
AM01	CX-ED1689L-4		MLX72	CX-ED2079		SC8465	CX-ED1799L-8	MSS06	CX-ED1689L-4		A	CX-ED1689L-4		
AM02	CX-ED1799L-8		MLX81	CX-ED2079		SC8440	CX-ED1799L-8	MSS07	CX-ED1689L-4		AB	CX-ED1799L-8		
AM07	CX-ED1689L-4		MLX82	CX-ED2079		SC8040	CX-ED1689L-4	MSS08	CX-ED1799L-8		AT	CX-ED1689L-4		
AM11	CX-ED1799L-8		MLX87	CX-ED2079		SC8444	CX-ED1799L-8	MSS09	CX-ED1689L-4		D	CX-ED1689L-4		
AM12	CX-ED1689L-4		RIM EXIT DEVICES	CAMDEN STRIKE	FIRE-RATED OPTION	SC8445	CX-ED1799L-8	MSS11	CX-ED1799L-8		H	CX-ED1799L-8		
AM13	CX-ED1799L-8		ED910 SERIES			SC8495	CX-ED1799L-8	MSS12	CX-ED1799L-8		HJ	CX-ED1799L-8		
AM17	CX-ED1689L-4		ED910	CX-EPD1289L		SC8485	CX-ED1799L-8	MSS13	CX-ED1799L-8		R	CX-ED1689L-4		
AM19	CX-ED1799L-8		PEC910 SERIES			SC8411HL	CX-ED1799L-8	MSS14	CX-ED1799L-8		RHB	CX-ED1689L-4		
AM20	CX-ED1799L-8		ED910	CX-EPD1289L		SC8026LG	CX-ED1689L-4	MSS15	CX-ED1799L-8		T	CX-ED1799L-8		
AM21	CX-ED1799L-8		3000 SERIES			SC8031LG	CX-ED1689L-4	MSS19	CX-ED1799L-8		TA	CX-ED1799L-8		
AM22	CX-ED1799L-8		3700	CX-EPD1289L		SC8032LG	CX-ED1689L-4	MSS20	CX-ED1799L-8		TD	CX-ED1799L-8		
AM23	CX-ED1689L-4		3900	CX-ED1689L-4		SC8033LG	CX-ED1689L-4	MSS21	CX-ED1799L-8		L	CX-ED1799L-8		
AM24	CX-ED1689L-4		4800	CX-EPD1289L		SC8468LG	CX-ED1799L-8	MSS22	CX-ED1689L-4		LT	CX-ED1689L-4		
AM26	CX-ED1689L-4		4900	CX-ED1689L-4		SC8469LG	CX-ED1799L-8	MSS26	CX-ED1689L-4		C	CX-ED1689L-4		
AM27	CX-ED1689L-4		ADAMS RITE			SC8055LG	CX-ED1689L-4	MSS30	CX-ED1689L-4		CHB	CX-ED1689L-4		
AM31	CX-ED1799L-8		MORTISE LOCKSETS			CAMDEN STRIKE	FIRE-RATED OPTION	CYLINDRICAL LOCKSETS	CAMDEN STRIKE	FIRE-RATED OPTION	MSS31	CX-ED1689L-4		
AM32	CX-ED1689L-4		GL SERIES			CAL00	CX-ED1079	CX-ED1410	MSS32	CX-ED1689L-4		G	CX-ED1799L-8	
AM33	CX-ED1689L-4		4510	CX-ED1379	CX-ED1410	CAL02	CX-ED1079	CX-ED1410	MSS33	CX-ED1799L-8		IND	CX-ED1799L-8	
AM34	CX-ED1689L-4		4530	CX-ED1379	CX-ED1410	CAL03	CX-ED1079	CX-ED1410	MSS34	CX-ED1799L-8		NL	CX-ED1689L-4	
AM37	CX-ED1689L-4		BM SERIES			CAL04	CX-ED1079	CX-ED1410	MSS35	CX-ED1799L-8		INA	CX-ED1799L-8	
BM01	CX-ED1689L-4		4900	CX-ED1379	CX-ED1410	CAL05	CX-ED1079	CX-ED1410	MSS82	CX-ED1689L-4		W	CX-ED1689L-4	
BM02	CX-ED1799L-8		4920AH	CX-ED1379	CX-ED1410	CAL06	CX-ED1079	CX-ED1410	MSS05A	CX-ED1689L-4		S	CX-ED1799L-8	
BM07	CX-ED1689L-4		CAL ROYAL			CAL07	CX-ED1079	CX-ED1410	MSS05B	CX-ED1799L-8		XR	CX-ED1689L-4	
BM11	CX-ED1799L-8		MORTISE LOCKSETS			CAMDEN STRIKE	FIRE-RATED OPTION	CYLINDRICAL LOCKSETS	CAMDEN STRIKE	FIRE-RATED OPTION	MSS20T	CX-ED1799L-8		
BM12	CX-ED1689L-4		NM SERIES			CAL09	CX-ED1079	CX-ED1410	MSS13R	CX-ED1799L-8		CYLINDRICAL LOCKSETS	CAMDEN STRIKE	FIRE-RATED OPTION
BM13	CX-ED1799L-8		NM8050	CX-ED1689L-4		CAL101	CX-ED1079	CX-ED1410				6K SERIES		
BM17	CX-ED1689L-4		NM8056	CX-ED1689L-4		CAL20	CX-ED1079	CX-ED1410	CE76	CX-ED1079	CX-ED1410	AB	CX-ED2079	
BM19	CX-ED1799L-8		NM8070	CX-ED1689L-4		GENESYS SERIES			CE77	CX-ED1079	CX-ED1410	D	CX-ED2079	
BM20	CX-ED1799L-8		NM8071	CX-ED1689L-4		GGN00	CX-ED1079	CX-ED1410	CS81	CX-ED1079	CX-ED1410	L	CX-ED2079	
BM21	CX-ED1799L-8		NM8457	CX-ED1799L-8		GGN01	CX-ED1079	CX-ED1410	CSRC82	CX-ED1079	CX-ED1410	N	CX-ED2079	
BM22	CX-ED1799L-8		NM8458	CX-ED1799L-8		GN101	CX-ED1079	CX-ED1410	CE84	CX-ED1079	CX-ED1410	R	CX-ED2079	
BM23	CX-ED1689L-4		NM8455	CX-ED1799L-8		GN102	CX-ED1079	CX-ED1410	CE86	CX-ED1079	CX-ED1410	Y	CX-ED2079	
BM24	CX-ED1689L-4		NM8456	CX-ED1799L-8		GGN03	CX-ED1079	CX-ED1410	CE87	CX-ED1079	CX-ED1410	7K SERIES		
BM26	CX-ED1689L-4		NM8457	CX-ED1799L-8		GGN04	CX-ED1079	CX-ED1410	CE88	CX-ED1079	CX-ED1410	AB	CX-ED2079	
BM27	CX-ED1689L-4		NM8458	CX-ED1799L-8		GGN05	CX-ED1079	CX-ED1410	CD90	CX-ED1079	CX-ED1410	D	CX-ED2079	
BM31	CX-ED1799L-8		NM8459	CX-ED1799L-8		GGN06	CX-ED1079	CX-ED1410	CE109	CX-ED1079	CX-ED1410	L	CX-ED2079	
BM32	CX-ED1689L-4		NM8460	CX-ED1799L-8		GGN07	CX-ED1079	CX-ED1410	CDC110	CX-ED1079	CX-ED1410	N	CX-ED2079	
BM33	CX-ED1689L-4		NM8461	CX-ED1799L-8		GGN09	CX-ED1079	CX-ED1410	CB SERIES			R	CX-ED2079	
BM34	CX-ED1689L-4		NM8462	CX-ED1799L-8		RIM EXIT DEVICES	CAMDEN STRIKE	FIRE-RATED OPTION	CS81	CX-ED1079	CX-ED1410	Y	CX-ED2079	
BM37	CX-ED1689L-4		NM8463	CX-ED1799L-8		45 SERIES			CB82	CX-ED1079	CX-ED1410	8K SERIES		
AM38	CX-ED1689L-4		NM8464	CX-ED1689L-4		45	CX-EPD1289L		CB84	CX-ED1079	CX-ED1410	AB	CX-ED1079	
CYLINDRICAL LOCKSETS	CAMDEN STRIKE	FIRE-RATED OPTION	NM8465	CX-ED1799L-8		F45	CX-EPD1289L		CB86	CX-ED1079	CX-ED1410	D	CX-ED1079	
GL SERIES			NM8466	CX-ED1799L-8		5000 SERIES			CD87	CX-ED1079	CX-ED1410	E	CX-ED1079	
GL01	CX-ED1079	CX-ED1410	NM8444	CX-ED1799L-8		5000	CX-EPD1289L		CD90	CX-ED1079	CX-ED1410	H	CX-ED1079	
GL08	CX-ED1079	CX-ED1410	SC SERIES			F5000	CX-EPD1289L		CB109	CX-ED1079	CX-ED1410	R	CX-ED1079	
GL81	CX-ED1079	CX-ED1410	SC8050	CX-ED1689L-4		A2200 SERIES			CD110	CX-ED1079	CX-ED1410	T	CX-ED1079	
GL82	CX-ED1079	CX-ED1410	SC8056	CX-ED1689L-4		A2200	CX-EPD1289L		RIM EXIT DEVICES	CAMDEN STRIKE	FIRE-RATED OPTION	C	CX-ED1079	
GL87	CX-ED1079	CX-ED1410	SC8070	CX-ED1689L-4		AF2200	CX-EPD1289L		ED1100	CX-EPD1289L		G	CX-ED1079	
GL97	CX-ED1079	CX-ED1410	SC8071	CX-ED1689L-4		A7700 SERIES			ED1100F	CX-EPD1289L		S	CX-ED1079	
QL SERIES			SC8076	CX-ED1689L-4		A7700	CX-EPD1289L		ED1400	CX-ED1689L-4		W	CX-ED1079	
QL01	CX-ED1079	CX-ED1410	SC8077	CX-ED1689L-4		AF7700	CX-EPD1289L		ED1400F	CX-ED1689L-4		L	CX-ED1079	
QL11	CX-ED1079	CX-ED1410	SC8457	CX-ED1799L-8		AG9800 SERIES			ED3700	CX-EPD1289L		NX	CX-ED1079	
QL17	CX-ED1079	CX-ED1410	SC8458	CX-ED1799L-8		A9800	CX-EPD1289L		ED8900	CX-EPD1289L		Y	CX-ED1079	
QL33	CX-ED1079	CX-ED1410	SC8080	CX-ED1689L-4		AF9800	CX-EPD1289L		ED8900	CX-EPD1289L		AB	CX-ED1079	CX-ED1410
QL37	CX-ED1079	CX-ED1410	SC8453	CX-ED1799L-8		MORTISE LOCKSETS			ED8975	CX-ED1689L-4		D	CX-ED1079	CX-ED1410
QL81	CX-ED1079	CX-ED1410	SC8456	CX-ED1799L-8		CAMDEN STRIKE	FIRE-RATED OPTION		ED9700	CX-EPD1289L		E	CX-ED1079	CX-ED1410
QL82	CX-ED1079	CX-ED1410	SC8473	CX-ED1799L-8		MS SERIES			EF9700	CX-EPD1289L		H	CX-ED1079	CX-ED1410
QL87	CX-ED1079	CX-ED1410	SC8060	CX-ED1799L-8		MSS02	CX-ED1799L-8					HJ	CX-ED1079	CX-ED1410
												R	CX-ED1079	CX-ED1410

BEST ACCESS																	
T	CX-ED1079	CX-ED1410	XGT129	CX-ED1079	CX-ED1410	6400 SERIES			ALXV44	CX-ED2079	CX-ED1410	4700LN SERIES					
UA	CX-ED1079	CX-ED1410	XGT135	CX-ED1079	CX-ED1410	6400R	CX-EPD1289L		ALX50	CX-ED2079	CX-ED1410	4703LN	CX-ED1079	CX-ED1410			
C	CX-ED1079	CX-ED1410	XGT185LED	CX-ED1079	CX-ED1410	4200 SERIES			ALX53	CX-ED2079	CX-ED1410	4704LN	CX-ED1079	CX-ED1410			
G	CX-ED1079	CX-ED1410	XGT137	CX-ED1079	CX-ED1410	4200R	CX-EPD1289L		ALX70	CX-ED2079	CX-ED1410	4705LN	CX-ED1079	CX-ED1410			
IN	CX-ED1079	CX-ED1410	XGT141	CX-ED1079	CX-ED1410	VD & SCHLAGE						ALX80	CX-ED2079	CX-ED1410	4706LN	CX-ED1079	CX-ED1410
S	CX-ED1079	CX-ED1410	XGT145	CX-ED1079	CX-ED1410										A43	CX-ED2079	CX-ED1410
W	CX-ED1079	CX-ED1410	XGT148	CX-ED1079	CX-ED1410	MORTISE LOCKSETS	CAMDEN STRIKE	FIRE-RATED OPTION	A53	CX-ED2079	CX-ED1410	4708LN	CX-ED1079	CX-ED1410			
NX	CX-ED1079	CX-ED1410	XGT150	CX-ED1079	CX-ED1410				A70	CX-ED2079	CX-ED1410	5300LN SERIES					
Y	CX-ED1079	CX-ED1410	XGT155	CX-ED1079	CX-ED1410	L9050	CX-ED1689L-4		A79	CX-ED2079	CX-ED1410	5302LN	CX-ED2079				
RIM EXIT DEVICES	CAMDEN STRIKE	FIRE-RATED OPTION	XGT165	CX-ED1079	CX-ED1410	LV9050	CX-ED1689L-4		A80	CX-ED2079	CX-ED1410	5303LN	CX-ED2079				
			XGT182	CX-ED1079	CX-ED1410	L9026	CX-ED1689L-4		A85	CX-ED2079	CX-ED1410	5304LN	CX-ED2079				
2100	CX-EPD1289L		GT SERIES			L9056	CX-ED1689L-4		RIM EXIT DEVICES	CAMDEN STRIKE	FIRE-RATED OPTION	5305LN	CX-ED2079				
2300	CX-ED1689L-4		GT148	CX-ED1079	CX-ED1410	LV9056	CX-ED1689L-4		VON DUPRIN			5306LN	CX-ED2079				
2400	CX-EPD1289L		GT150	CX-ED1079	CX-ED1410	L9070	CX-ED1689L-4					5307LN	CX-ED2079				
5100	CX-EPD1289L		GT155	CX-ED1079	CX-ED1410	LV9070	CX-ED1689L-4		99 Series	CX-EPD1289L		5308LN	CX-ED2079				
100	CX-EPD1289L		GT165	CX-ED1079	CX-ED1410	L9076	CX-ED1689L-4		98 Series	CX-EPD1289L		5309LN	CX-ED2079				
300	CX-ED1689L-4		GT182	CX-ED1079	CX-ED1410	LV9076	CX-ED1689L-4		33 Series	CX-EPD1299L		5318LN	CX-ED2079				
PDQ			GT199A	CX-ED1079	CX-ED1410	L9080	CX-ED1689L-4		35 Series	CX-EPD1299L		5321LN	CX-ED2079				
			GT115	CX-ED1079	CX-ED1410	LV9080	CX-ED1689L-4		YALE/ACCENTRA						5322LN	CX-ED2079	
MORTISE LOCKSETS	CAMDEN STRIKE	FIRE-RATED OPTION	GT116	CX-ED1079	CX-ED1410	L9081	CX-ED1689L-4		MORTISE LOCKSETS	CAMDEN STRIKE	FIRE-RATED OPTION	5325LN	CX-ED2079				
MR SERIES			GT120	CX-ED1079	CX-ED1410	LV9081	CX-ED1689L-4								5328LN	CX-ED2079	
			GT128	CX-ED1079	CX-ED1410	L9060	CX-ED1689L-4								5329LN	CX-ED2079	
MR174	CX-ED1689L-4		GT129	CX-ED1079	CX-ED1410	LV9060	CX-ED1689L-4		8800 SERIES						5330LN	CX-ED2079	
MR176	CX-ED1689L-4		GT135	CX-ED1079	CX-ED1410	L9066	CX-ED1689L-4		8808	CX-ED1689-4		5339LN	CX-ED2079				
MR178	CX-ED1799L-8		GT135LED	CX-ED1079	CX-ED1410	LV9066	CX-ED1689L-4		8802	CX-ED1799-8		SARGENT					
MR179	CX-ED1799L-8		GT137	CX-ED1079	CX-ED1410	L9071	CX-ED1689L-4		8808-2	CX-ED1689-4					MORTISE LOCKSETS	CAMDEN STRIKE	FIRE-RATED OPTION
MR113	CX-ED1689L-4		GT141	CX-ED1079	CX-ED1410	LV9071	CX-ED1689L-4		8805	CX-ED1689-4		8200 SERIES					
MR114	CX-ED1689L-4		GT145	CX-ED1079	CX-ED1410	L9077	CX-ED1689L-4		8809	CX-ED1689-4		8204	CX-ED1689-4				
MR115	CX-ED1689L-4		GT124	CX-ED1079	CX-ED1410	LV9077	CX-ED1689L-4		8807	CX-ED1689-4		8205	CX-ED1689-4				
MR116	CX-ED1689L-4		GT125	CX-ED1079	CX-ED1410	L9082	CX-ED1689L-4		8811-2	CX-ED1799-8		8206	CX-ED1689-4				
MR117	CX-ED1799L-8		GT126	CX-ED1079	CX-ED1410	LV9082	CX-ED1689L-4		8817-2	CX-ED1689-4		8206	CX-ED1689-4				
MR128	CX-ED1799L-8		GT173	CX-ED1079	CX-ED1410	L9453	CX-ED1799L-8		8818-2	CX-ED1799-8		8231	CX-ED1689-4				
MR135	CX-ED1799L-8		GT175	CX-ED1079	CX-ED1410	LV9453	CX-ED1799L-8		8820	CX-ED1799-8		8236	CX-ED1689-4				
MR136	CX-ED1799L-8		GT176	CX-ED1079	CX-ED1410	L9456	CX-ED1799L-8		8827	CX-ED1799-8		8237	CX-ED1689-4				
MR137	CX-ED1799L-8		GT177	CX-ED1079	CX-ED1410	LV9456	CX-ED1799L-8		8822	CX-ED1799-8		8255	CX-ED1689-4				
MR138	CX-ED1799L-8		GP SERIES			L9456	CX-ED1799L-8		8828	CX-ED1689-4		8256	CX-ED1689-4				
MR139	CX-ED1799L-8		GP125	CX-ED2079		L9473	CX-ED1799L-8		8823	CX-ED1689-4		8257	CX-ED1689-4				
MR141	CX-ED1799L-8		GP115	CX-ED2079		L9480	CX-ED1799L-8		8829	CX-ED1689-4		8258	CX-ED1689-4				
MR148	CX-ED1689L-4		GP116	CX-ED2079		LV9480	CX-ED1799L-8		8824	CX-ED1689-4		8289	CX-ED1689-4				
MR149	CX-ED1689L-4		GP148	CX-ED2079		L9485	CX-ED1799L-8		8830-2	CX-ED1689-4		8291	CX-ED1689-4				
MR154	CX-ED1799L-8		GP150	CX-ED2079		LV9485	CX-ED1799L-8		8831	CX-ED1799-8		8224	CX-ED1799-8				
MR157	CX-ED1799L-8		GP182	CX-ED2079		L945-XLT1-557	CX-ED1799L-8		8834	CX-ED1689-4		8225	CX-ED1799-8				
MR158	CX-ED1799L-8		SD SERIES			L9486	CX-ED1799L-8		8832	CX-ED1799-8		8227	CX-ED1799-8				
MR158	CX-ED1689L-4		SD125	CX-ED2079		LV9486	CX-ED1799L-8		8834-2	CX-ED1689-4		8235	CX-ED1799-8				
MR162	CX-ED1799L-8		SD115	CX-ED2079		L9496	CX-ED1799L-8		8833	CX-ED1689-4		8243	CX-ED1799-8				
MR181	CX-ED1689L-4		SD116	CX-ED2079		LV9456	CX-ED1799L-8		8835	CX-ED1689-4		8245	CX-ED1799-8				
MR186	CX-ED1689L-4		SD148	CX-ED2079		L9457	CX-ED1799L-8		8833	CX-ED1689-4		8247	CX-ED1799-8				
MR236	CX-ED1799L-8		SD182	CX-ED2079		LV9457	CX-ED1799L-8		8840	CX-ED1799-8		8250	CX-ED1799-8				
MR241	CX-ED1799L-8		SF SERIES			L9458	CX-ED1799L-8		8847	CX-ED1799-8		8251	CX-ED1799-8				
MR257	CX-ED1799L-8		SF115	CX-ED2079		LV9458	CX-ED1799L-8		8862	CX-ED1689-4		8216	CX-ED1689-4				
MR259	CX-ED1799L-8		SF116	CX-ED2079		L9466	CX-ED1799L-8		8860	CX-ED1799-8		8217	CX-ED1689-4				
MR260	CX-ED1799L-8		SV SERIES			L9482	CX-ED1799L-8		8864	CX-ED1689-4		8238	CX-ED1689-4				
MR269	CX-ED1799L-8		SV125	CX-ED1079		LV9482	CX-ED1799L-8		8860-2	CX-ED1799-8		8242	CX-ED1689-4				
CYLINDRICAL LOCKSETS	CAMDEN STRIKE	FIRE-RATED OPTION	SV177	CX-ED1079		CYLINDRICAL LOCKSETS	CAMDEN STRIKE	FIRE-RATED OPTION	8861	CX-ED1799-8		8259	CX-ED1689-4				
			SV115	CX-ED1079					8867	CX-ED1799-8		8290	CX-ED1689-4				
XGT SERIES			SV116	CX-ED1079		ND10	CX-ED1079DL	CX-ED1410	CYLINDRICAL LOCKSETS	CAMDEN STRIKE	FIRE-RATED OPTION	8292	CX-ED1689-4				
XGT173	CX-ED1079	CX-ED1410	SV137	CX-ED1079		ND12	CX-ED1079DL	CX-ED1410	4600LN SERIES			8229	CX-ED1799-8				
XGT175	CX-ED1079	CX-ED1410	SV148	CX-ED1079		ND25	CX-ED1079DL	CX-ED1410	4604LN	CX-ED1079	CX-ED1410	8239	CX-ED1799-8				
XGT177	CX-ED1079	CX-ED1410	RIM EXIT DEVICES	CAMDEN STRIKE	FIRE-RATED OPTION	ND30	CX-ED1079DL	CX-ED1410	4605LN	CX-ED1079	CX-ED1410	8240	CX-ED1799-8				
XGT115	CX-ED1079	CX-ED1410	6300 SERIES			ND44	CX-ED1079DL	CX-ED1410	4607LN	CX-ED1079	CX-ED1410	8241	CX-ED1799-8				
XGT116	CX-ED1079	CX-ED1410				ND45	CX-ED1079DL	CX-ED1410	4608LN	CX-ED1079	CX-ED1410	8246	CX-ED1799-8				
XGT120	CX-ED1079	CX-ED1410	6300R	CX-EPD1289L		ND45	CX-ED1079DL	CX-ED1410	4628LN	CX-ED1079	CX-ED1410						
XGT128	CX-ED1079	CX-ED1410	6300M	CX-ED1680-4		ALX44	CX-ED2079	CX-ED1410									



SARGENT																					
8248	CX-ED1799-8		9243	CX-ED1799-8		8800	CX-EPD1289L			CL3193	CX-ED1079	CX-ED1410	ED5602AL	CX-ED1689-4							
8249	CX-ED1799-8		9245	CX-ED1799-8		8900	CX-ED1799-8			CLX3300 SERIES			HAGER								
8252	CX-ED1799-8		9250	CX-ED1799-8		PE80 SERIES				CLX3310	CX-ED1079	CX-ED1410	MORTISE LOCKSETS			CAMDEN STRIKE		FIRE-RATED OPTION			
8213	CX-ED1689-4		9216	CX-ED1689-4		PE8500	CX-EPD1289L		CLX3320	CX-ED1079	CX-ED1410	3800 SERIES									
7800 SERIES			9217	CX-ED1689-4		PE8800	CX-EPD1289L		CLX3330	CX-ED1079	CX-ED1410	3840E			CX-ED1689L						
7804	CX-ED1689-4		9238	CX-ED1689-4		PE8300	CX-ED1799-8		CLX3320H	CX-ED1079	CX-ED1410	3844E			CX-ED1689L						
7805	CX-ED1689-4		9259	CX-ED1689-4		PE8900	CX-ED1799-8		CLX3320TO	CX-ED1079	CX-ED1410	3850E			CX-ED1689L						
7806	CX-ED1689-4		9226	CX-ED1799-8		20 SERIES			CLX3329	CX-ED1079	CX-ED1410	3853E			CX-ED1799L						
7831	CX-ED1689-4		9239	CX-ED1799-8		2828	CX-EPD1289L		CLX3322	CX-ED1079	CX-ED1410	3865E			CX-ED1799L						
7836	CX-ED1689-4		9240	CX-ED1799-8		5300 SERIES			CLX3340	CX-ED1079	CX-ED1410	3857E			CX-ED1799L						
7837	CX-ED1689-4		9241	CX-ED1799-8		5300	CX-EPD1289L		CLX3340NT	CX-ED1079	CX-ED1410	3861E			CX-ED1689L						
7855	CX-ED1689-4		9249	CX-ED1799-8		CORBIN RUSSWIN			CLX3351	CX-ED1079	CX-ED1410	3870E			CX-ED1689L						
7856	CX-ED1689-4	CYLINDRICAL LOCKSETS	CAMDEN STRIKE	FIRE-RATED OPTION		MORTISE LOCKSETS	CAMDEN STRIKE	FIRE-RATED OPTION	CLX3352	CX-ED1079	CX-ED1410	3880E			CX-ED1689L						
7857	CX-ED1689-4		7 SERIES						CLX3355	CX-ED1079	CX-ED1410	3881E			CX-ED1799L						
7858	CX-ED1689-4					ML2002	CX-ED1689-4		CLX3357	CX-ED1079	CX-ED1410	3882E			CX-ED1689L						
7867	CX-ED1689-4		7G04	CX-ED2079		ML2003	CX-ED1689-4		CLX3359	CX-ED1079	CX-ED1410	3896E			CX-ED1689L						
7824	CX-ED1799-8		7G05	CX-ED2079		ML2003	CX-ED1689-4		CLX3361	CX-ED1079	CX-ED1410	CYLINDRICAL LOCKSETS			CAMDEN STRIKE		FIRE-RATED OPTION				
7825	CX-ED1799-8		7G37	CX-ED2079		ML2004	CX-ED1689-4		CLX3362	CX-ED1079	CX-ED1410	2500 SERIES									
7827	CX-ED1799-8		7U68	CX-ED2079		ML2020	CX-ED1689-4		CLX3372	CX-ED1079	CX-ED1410	2540			CX-ED2079						
7835	CX-ED1799-8		7G15-3	CX-ED2079		ML2022	CX-ED1799-8		CLX3375	CX-ED1079	CX-ED1410	2550			CX-ED2079						
7845	CX-ED1799-8		7U65	CX-ED2079		ML2032	CX-ED1799-8		CLX3376	CX-ED1079	CX-ED1410	2553			CX-ED2079						
7847	CX-ED1799-8		10 SERIES			ML2042	CX-ED1799-8		CLX3381	CX-ED1079	CX-ED1410	2570			CX-ED2079						
7850	CX-ED1799-8		10XG04	CX-ED1079	CX-ED1410	ML2048	CX-ED1799-8		CLX3380	CX-ED1079	CX-ED1410	2580			CX-ED2079						
7851	CX-ED1799-8		10X505	CX-ED1079	CX-ED1410	ML2049	CX-ED1799-8		CLX3382	CX-ED1079	CX-ED1410	3400 SERIES									
7816	CX-ED1689-4		10XG07	CX-ED1079	CX-ED1410	ML2051	CX-ED1689-4		CLX3383	CX-ED1079	CX-ED1410	3440			CX-ED1079		Add 'L' if monitoring req'd				
7817	CX-ED1689-4		10XG08	CX-ED1079	CX-ED1410	ML2052	CX-ED1689-4		CLX3393	CX-ED1079	CX-ED1410	3450			CX-ED1079		Add 'L' if monitoring req'd				
7838	CX-ED1689-4		10XG24	CX-ED1079	CX-ED1410	ML2053	CX-ED1689-4		CL 3800 SERIES			3453			CX-ED1079		Add 'L' if monitoring req'd				
7892	CX-ED1689-4		10XG37	CX-ED1079	CX-ED1410	ML2054	CX-ED1689-4		CL3810	CX-ED2079		3470			CX-ED1079		Add 'L' if monitoring req'd				
7826	CX-ED1799-8		10XG44	CX-ED1079	CX-ED1410	ML2055	CX-ED1689-4		CL3820	CX-ED2079		3473			CX-ED1079		Add 'L' if monitoring req'd				
7839	CX-ED1799-8		10XG50	CX-ED1079	CX-ED1410	ML2056	CX-ED1689-4		CL3851	CX-ED2079		3480			CX-ED1079		Add 'L' if monitoring req'd				
7840	CX-ED1799-8		10XG53	CX-ED1079	CX-ED1410	ML2057	CX-ED1689-4		CL3855	CX-ED2079		3482			CX-ED1079		Add 'L' if monitoring req'd				
7841	CX-ED1799-8		10XG54	CX-ED1079	CX-ED1410	ML2058	CX-ED1689-4		CL3857	CX-ED2079		3495			CX-ED1079		Add 'L' if monitoring req'd				
7846	CX-ED1799-8		10XG60	CX-ED1079	CX-ED1410	ML2059	CX-ED1799-8		CL3861	CX-ED2079		3500 SERIES									
7848	CX-ED1799-8		10XG16	CX-ED1079	CX-ED1410	ML2060	CX-ED1689-4		CL3870	CX-ED2079		3525			CX-ED2079						
7849	CX-ED1799-8		10XG17	CX-ED1079	CX-ED1410	ML2062	CX-ED1799-8		CL3880	CX-ED2079		3540			CX-ED2079						
7852	CX-ED1799-8		10XG26	CX-ED1079	CX-ED1410	ML2065	CX-ED1799-8		RIM EXIT DEVICES	CAMDEN STRIKE	FIRE-RATED OPTION	3550			CX-ED2079						
7813	CX-ED1689-4		10XG30	CX-ED1079	CX-ED1410	ML2067	CX-ED1799-8		PED4000 SERIES			3553			CX-ED2079						
7865	CX-ED1689-4		10XG38	CX-ED1079	CX-ED1410	ML2068	CX-ED1689-4		PED4200	CX-EPD1289L		3570			CX-ED2079						
7866	CX-ED1689-4		10XG13	CX-ED1079	CX-ED1410	ML2069	CX-ED1689-4		PED4600	CX-ED1689-4		3573			CX-ED2079						
7868	CX-ED1689-4		10XG14	CX-ED1079	CX-ED1410	ML2072	CX-ED1799-8		PED5000 SERIES			3579			CX-ED2079						
7900 SERIES			10XG15-3	CX-ED1079	CX-ED1410	ML2073	CX-ED1799-8		PED5200	CX-EPD1289L		3580			CX-ED2079						
7904	CX-ED1689-4		10XG64	CX-ED1079	CX-ED1410	ML2075	CX-ED1799-8		PED5600	CX-ED1689-4		RIM EXIT DEVICES						CAMDEN STRIKE		FIRE-RATED OPTION	
7937	CX-ED1689-4		10XG65	CX-ED1079	CX-ED1410	ML2082	CX-ED1799-8		ED2000 SERIES			4500 Rim			CX-EPD1289L						
7955	CX-ED1689-4		11 SERIES			ML2087	CX-ED1799-8		ED4000 SERIES			4500 Mortise			CX-ED1799L						
7916	CX-ED1689-4		11G04	CX-ED1079	Add 'L' if monitoring req'd	ML2092	CX-ED1799-8		ED4200	CX-EPD1289L		4500 Night Latch			CX-ED1799L						
7938	CX-ED1689-4		11G05	CX-ED1079	Add 'L' if monitoring req'd	CYLINDRICAL LOCKSETS	CAMDEN STRIKE	FIRE-RATED OPTION	ED5000 SERIES			4600 SERIES									
7924	CX-ED1799-8		11G24	CX-ED1079	Add 'L' if monitoring req'd	CL3100 SERIES			ED5200A	CX-EPD1289L		4600 Rim			CX-EPD1289L						
7945	CX-ED1799-8		11G37	CX-ED1079	Add 'L' if monitoring req'd	CL3110	CX-ED1079	CX-ED1410	ED5202			4700 SERIES									
7925	CX-ED1799-8		11G44	CX-ED1079	Add 'L' if monitoring req'd	CL3120	CX-ED1079	CX-ED1410	ED5202A			4700 Rim			CX-EPD1289L						
7950	CX-ED1799-8		11G50	CX-ED1079	Add 'L' if monitoring req'd	CL3129	CX-ED1079	CX-ED1410	ED5200S												
7943	CX-ED1799-8		11G54	CX-ED1079	Add 'L' if monitoring req'd	CL3132	CX-ED1079	CX-ED1410	ED5200A												
7926	CX-ED1799-8		11G16	CX-ED1079	Add 'L' if monitoring req'd	CL3132	CX-ED1079	CX-ED1410	ED5202S												
9200 SERIES			11G17	CX-ED1079	Add 'L' if monitoring req'd	CL3140NT	CX-ED1079	CX-ED1410	ED5202SA												
9204	CX-ED1689-4		11G30	CX-ED1079	Add 'L' if monitoring req'd	CL3151	CX-ED1079	CX-ED1410	ED5600			CX-ED1689-4									
9205	CX-ED1689-4		11G38	CX-ED1079	Add 'L' if monitoring req'd	CL3152	CX-ED1079	CX-ED1410	ED5600A			CX-ED1689-4									
9206	CX-ED1689-4		11G15-3	CX-ED1079	Add 'L' if monitoring req'd	CL3155	CX-ED1079	CX-ED1410	ED5602L			CX-ED1689-4									
9237	CX-ED1689-4		RIM EXIT DEVICES	CAMDEN STRIKE	FIRE-RATED OPTION	CL3157	CX-ED1079	CX-ED1410													
9255	CX-ED1689-4		80 SERIES			CL3162	CX-ED1079	CX-ED1410													
9224	CX-ED1799-8					CL3172	CX-ED1079	CX-ED1410													
9225	CX-ED1799-8		8888	CX-EPD1289L		CL3175	CX-ED1079	CX-ED1410													
9235	CX-ED1799-8		8810	CX-EPD1289L		CL3180	CX-ED1079	CX-ED1410													



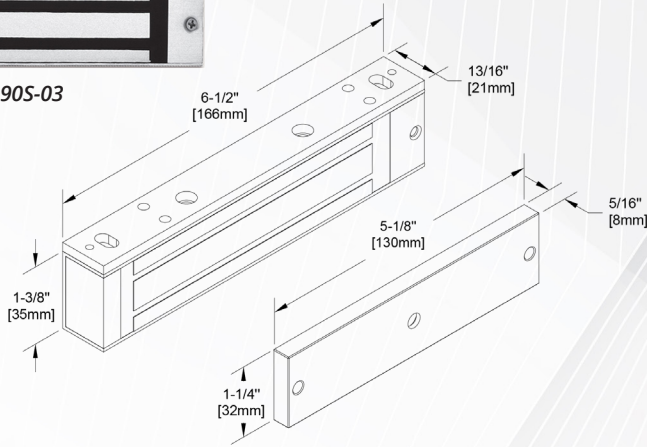
# MAGNETIC LOCKS

---

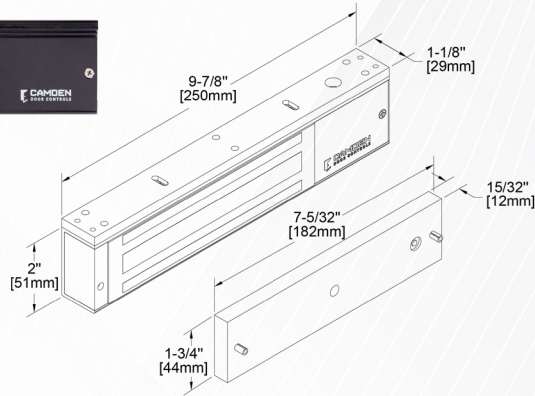
# CX-90 / 91 SERIES: SINGLE DOOR MAGNETIC LOCKS



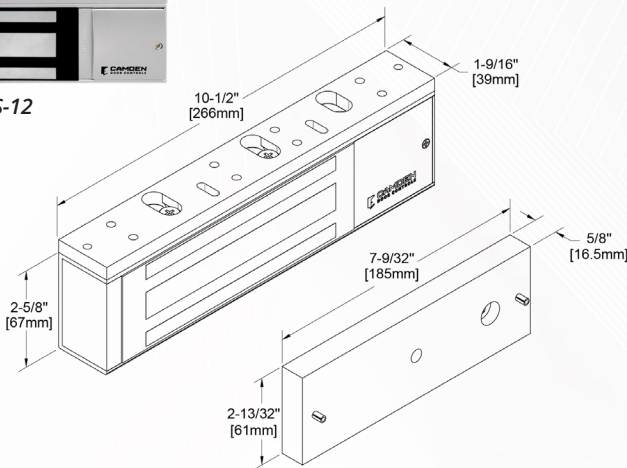
CX-90S-03



CX-91S-06-BK



CX-91S-12



## FEATURES

- Weather and vandal resistant construction proven over thousands of installations
- Compatible with all access / egress systems
- On board MOV power surge protection prevents damage to the magnetic lock
- A range of mounting brackets and spacers available

## SPECIFICATIONS

<b>Voltage:</b>	12/24 VDC
<b>Current Draw:</b>	<b>CX-90 Series:</b> 360mA @ 12VDC 180mA @ 24VDC
	<b>CX-91S-06 Series:</b> 480mA @ 12VDC 240mA @ 24VDC
	<b>CX-91S-12 Series:</b> 420mA @ 12VDC 210mA @ 24VDC
<b>Temp Range:</b>	32° F - 131°F (0°C to 55°C)
<b>Contact Rating:</b>	TDS Models Only <b>Bond Sensor:</b> 2A @ 24VDC <b>Door Status Switch:</b> 0.5A @ 28V AC/DC
<b>Time Delay:</b>	TDS Models Only: 5 - 25 Seconds
<b>Endurance:</b>	250,000 Cycle
<b>Static Strength:</b>	<b>CX-91S-06 Series:</b> 600 lbs (Factory Tested) 500 lbs (UL Verified)
	<b>CX-91S-12 Series:</b> 1,200 lbs (Factory Tested) 1000 lbs (UL Verified)
<b>Dynamic Strength:</b>	<b>CX-91S-06 Series:</b> 50 Ft-lb
	<b>CX-91S-12 Series:</b> 70 Ft-lb
<b>MODELS</b>	
300 LBS	
<b>CX-90M-03</b>	300 lbs Mortise Mount Single Door
<b>CX-90S-03</b>	300 lbs Surface Mount Single Door
600 LBS	
<b>CX-91M-06</b>	600 lbs Mortise Mount Single Door - Basic
<b>CX-91M-06TLS</b>	600 lbs Mortise Mount Single Door - With Adjustable Timer, Lock Sensor/Relay
<b>CX-91S-06*</b>	600 lbs Surface Mount Single Door - Basic
<b>CX-91S-06TDS*</b>	600 lbs Surface Mount Single Door - With Adjustable Timer, Door Status Switch, Lock Sensor / Relay & LED
<b>CX-91S-06-BK</b>	600 lbs Surface Mount Single Door - Basic - all-black finish
<b>CX-91S-06TDS-BK</b>	600 lbs Surface Mount Single Door - With adjustable timer, door status switch, lock sensor, relay & LED - all-black finish
1,200 LBS	
<b>CX-91S-12*</b>	1,200 lbs Surface Mount Single Door - Basic
<b>CX-91S-12TDS*</b>	1,200 lbs Surface Mount Single Door - With Adjustable Timer, Door Status Switch, Lock Sensor / Relay & LED
<b>CX-91S-12-BK</b>	1200 lbs Surface Mount Single Door - Basic - all-black finish
<b>CX-91S-12TDS-BK</b>	1200 lbs Surface Mount Single Door - With adjustable timer, door status switch, lock sensor, relay & LED - all-black finish



# CX-92S SERIES: DOUBLE DOOR MAGNETIC LOCKS



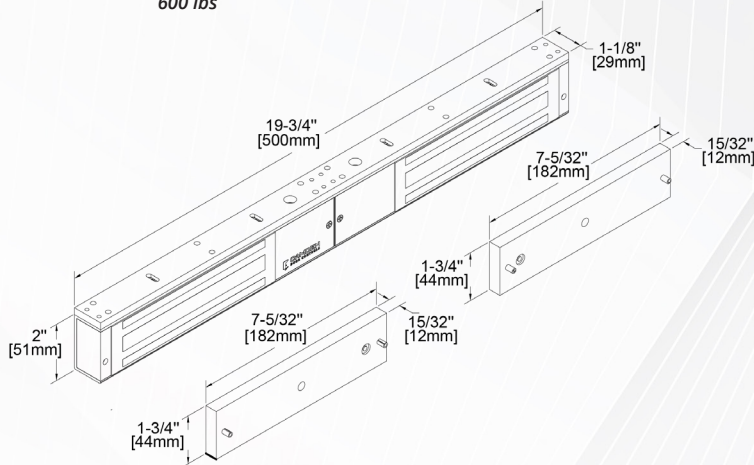
UL 1034 / UL 294  
Standard for  
Burglary-Resistant  
Electric Locking  
Mechanisms



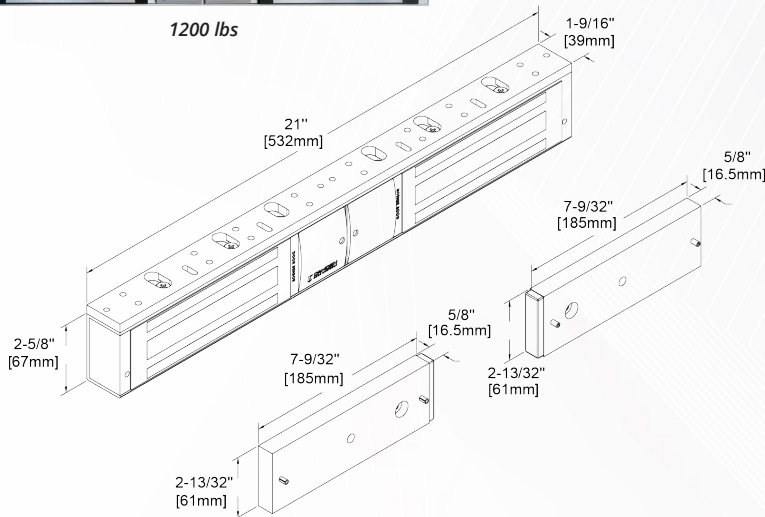
ULC S533-15  
Standard for  
Access and Egress



600 lbs



1200 lbs



## FEATURES

- Weather and vandal resistant construction proven over thousands of installations
- Compatible with all access / egress systems
- On board MOV power surge protection prevents damage to the magnetic lock
- A range of mounting brackets and spacers available

## SPECIFICATIONS

<b>Voltage:</b>	12/24 VDC
<b>Current Draw:</b>	<b>CX-92S-06 TDS:</b> 2 x 510mA @ 12VDC 2 x 285mA @ 24VDC
	<b>CX-92S-12 TDS:</b> 2 x 500mA @ 12VDC 2 x 265mA @ 24VDC
<b>Temp Range:</b>	32° F - 131°F (0°C to 55°C)
<b>Contact Rating:</b>	TDS Models Only <b>Bond Sensor:</b> 2A @ 24VDC <b>Door Status Switch:</b> 0.5A @ 28V AC/DC
<b>Time Delay:</b>	TDS Models Only: 5-25 Seconds
<b>Endurance:</b>	250,000 Cycle
<b>Static Strength:</b>	<b>CX-92S-06 TDS:</b> 2 x 600 lbs (Factory Tested) 2 x 500 lbs (UL Verified)
	<b>CX-92S-12 TDS:</b> 2 x 1,200 lbs (Factory Tested) 2 x 1000 lbs (UL Verified)
<b>Dynamic Strength:</b>	<b>CX-92S-06 TDS:</b> 50 Ft-lb x 2
	<b>CX-92S-12 TDS:</b> 70 Ft-lb x 2

## MODELS

600 LBS	
<b>CX-92S-06</b>	600 lbs Surface Mount Double Door Maglock - Basic
<b>CX-92S-06TDS</b>	600 lbs Surface Mount Double Door Maglock - With Adjustable Timer, Door Status Switch, Lock Sensor, Relay & LED
<b>CX-92S-06-BK</b>	600 lbs Surface Mount Double Door - Basic - all-black finish
<b>CX-92S-06TDS-BK</b>	600 lbs Surface Mount Double Door - With adjustable timer, door status switch, lock sensor, relay & LED - all-black finish
1,200 LBS	
<b>CX-92S-12*</b>	1,200 lbs Surface Mount Double Door Maglock - Basic
<b>CX-92S-12TDS*</b>	1,200 lbs Surface Mount Double Door Maglock - With Adjustable Timer, Door Status Switch, Lock Sensor, Relay & LED
<b>CX-92S-12-BK</b>	1200 lbs Surface Mount Double Door - Basic - All-black finish
<b>CX-92S-12TDS-BK</b>	1200 lbs Surface Mount Double Door - With adjustable timer, door status switch, lock sensor, relay & LED - all-black finish



# CX-91S / 92S SERIES: MOUNTING ACCESSORIES

## SINGLE DOOR MODELS

### BRACKETS

<b>CX-MA0610</b>	L bracket for 600 lbs magnetic lock
<b>CX-MA0613</b>	LZ bracket for 600 lbs magnetic lock
<b>CX-MA1210</b>	L bracket for 1,200 lbs magnetic lock
<b>CX-MA1213</b>	LZ bracket for 1,200 lbs magnetic lock

### SPACER BARS

<b>CX-MA0614-38</b>	3/8" spacer bar for 600 lbs magnetic lock
<b>CX-MA0614-12</b>	1/2" spacer bar for 600 lbs magnetic lock
<b>CX-MA0614-58</b>	5/8" spacer bar for 600 lbs magnetic lock
<b>CX-MA1214-38</b>	3/8" spacer bar for 1,200 lbs magnetic lock
<b>CX-MA1214-12</b>	1/2" spacer bar for 1,200 lbs magnetic lock
<b>CX-MA1214-58</b>	5/8" spacer bar for 1,200 lbs magnetic lock

### ARMATURE / MOUNTING KITS

<b>CX-MA0612</b>	Armature housing for 600 lbs magnetic lock
<b>CX-MA1212</b>	Armature housing for 1,200 lbs magnetic lock
<b>CX-MA1215-95</b>	Split armatures (2) for 1,200 lbs magnetic lock 3/8" (9.5mm)
<b>CX-MA1215-16</b>	Split armatures (2) for 1,200 lbs magnetic lock 5/8" (16mm)

### ARMATURE / MOUNTING KITS

<b>CX-MA0611</b>	Glass (1/2" thick) door mounting kit for 600 lbs magnetic lock
<b>CX-MA1211</b>	Glass (1/2" thick) door mounting kit for 1,200 lbs magnetic lock

## DOUBLE DOOR MODELS

### BRACKETS

<b>CX-MA1210D</b>	L bracket for 1,200 lbs magnetic lock
<b>CX-MA1213D</b>	LZ bracket for 1,200 lbs magnetic lock

### SPACER BARS

<b>CX-MA1214-38D</b>	3/8" spacer bar for 1,200 lbs magnetic lock
<b>CX-MA1214-12D</b>	1/2" spacer bar for 1,200 lbs magnetic lock
<b>CX-MA1214-58D</b>	5/8" spacer bar for 1,200 lbs magnetic lock



L Bracket



LZ Bracket



Spacer Bar



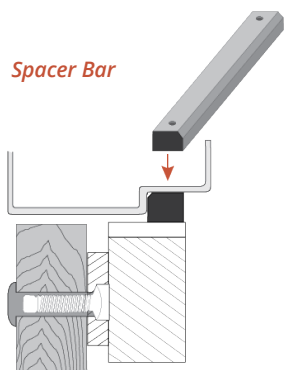
Armature



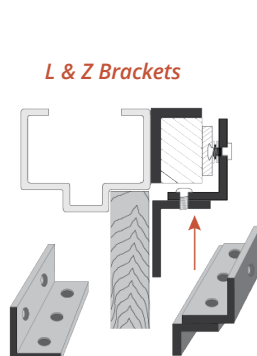
Glass Mounting Kit



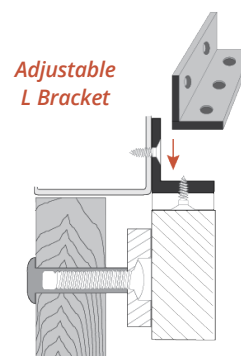
Split Armature



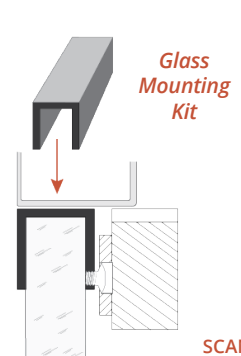
Spacer Bar



L & Z Brackets



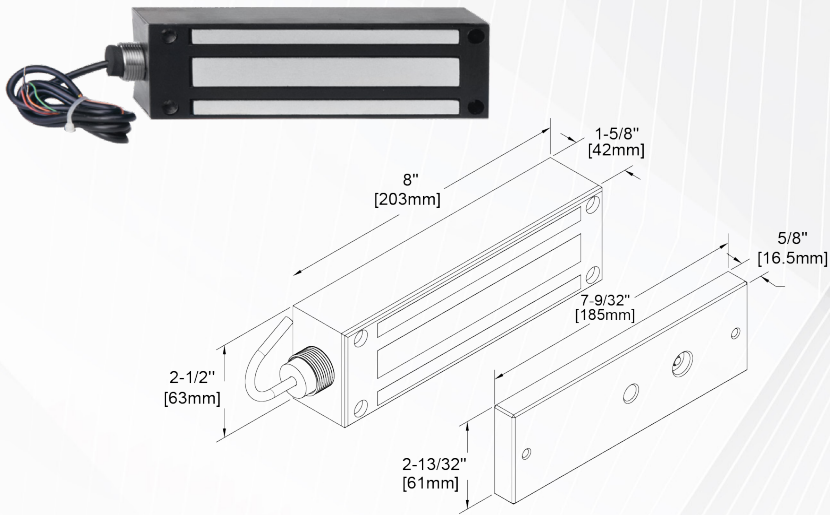
Adjustable L Bracket



Glass Mounting Kit



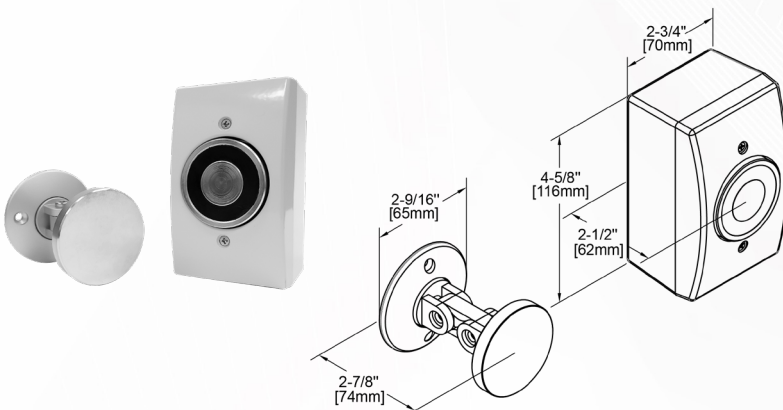
## CX-94 SERIES: GATE LOCK



### FEATURES

- Compatible with all access / egress systems
- Conduit fitting for weather resistant installation
- On board MOV power surge protection prevents damage to the magnetic lock
- Built-in lock sensor and relay

## CX-95S-DH: MAGNETIC DOOR HOLDER



### FEATURES

- Armature plate adjusts to door alignment
- Up to 35 lbs (16 kg) holding force
- Used for door release in public, industrial and commercial applications

### SPECIFICATIONS

<b>Voltage:</b>	12/24 VDC
<b>Current Draw:</b>	500mA @ 12VDC 250mA @ 24VDC
<b>Temp Range:</b>	5F - 122F (-15°C to 50°C)
<b>Contact Rating:</b>	<b>Bond Sensor:</b> 1A @ 30VDC

### MODELS

<b>CX-94S-12LS</b>	1,200 lbs Surface mount gate lock with lock sensor & relay
--------------------	------------------------------------------------------------



### SPECIFICATIONS

<b>Voltage:</b>	12/24V AC/DC, 120V AC
<b>Current Draw:</b>	55mA @ 12VAC 57mA @ 12VDC, 32mA @ 24VAC 34mA @ 12VDC, 30mA @ 120VAC
<b>Static Holding Force:</b>	<b>12V AC/DC:</b> Up to 30 lbs <b>24V AC/DC:</b> Up to 35 lbs <b>120V AC:</b> Up to 18 lbs
<b>Mount Options:</b>	Surface or Flush Mount

### MODELS

<b>CX-95S-DH</b>	Magnetic Door Holder Surface/Flush Mount
------------------	------------------------------------------

### EXTENSION BARS

<b>CX-95S-3E</b>	3" Magnetic Door Holder Extension Bar
<b>CX-95S-7E</b>	7" Magnetic Door Holder Extension Bar

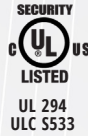


# MAGNETIC LOCK CROSS REFERENCE CHART

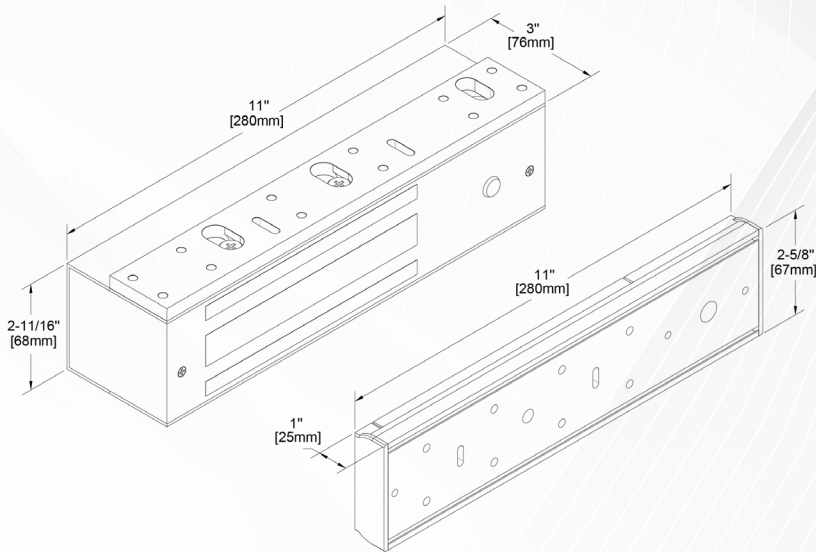
	CAMDEN	RCI	SECURITRON	SCHLAGE	SDC	DYNALOCK	ROFU	ALARM CONTROLS
300 lbs Surface Mount	CX-90S-03	8375	VM300	N/A	1583 E300	N/A	8003S	300S
300 lbs Mortise Mount	CX-90M-03	8365	N/A	N/A	N/A	N/A	8003M	N/A
600 lbs Surface Mount	CX-91S-06	8371	M38	40 SERIES	1581	2511	8005	600S
600 lbs Surface Mount w/ adj. Timer/Lock Sensor & LED	CX-91S-06TDS	8371-DSS/SCS	M38DLS	M420P+ MBS+DPS+RTD	1581-TDBL E600	2511-DYNLED	8005X001	600Lb
600 lbs Mortise Mount	CX-91M-06	8360	M34R	320M	1591	2600	8000	N/A
1200 lbs Surface Mount	CX-91S-12	8310	M68	70 SERIES	1571	2011	8011LC	1200S
1200 lbs Surface Mount w/ adj. Timer/Lock Sensor & LED	CX-91S-12TDS	8310-DSS/SCS	M68DLS	N/A	1571-TDBL E1200	2011-VOPLED	8011-002	1200Lb
1200 lbs Surface Mount Double Mag Lock	CX-92S-12	8320	DM62	72 SERIES	1572	2022	N/A	1200D
1200 lbs Surface Mount Double Mag Lock w/ adj. Timer/Lock Sensor & LED	CX-92S-12TDS	8320-2DSS/SCS	DM62BD	N/A	1572-TDBC	2022VOP2LED2	8022-002	1200DLb
1200 lbs Gate Lock w/ Lock Sensor	CX-94S-12LS	8380	M62FG	M490G	1575	2013-DYN	8040-002	1200WD

Note: Specifications are subject to change without notice.

# CX-DE1200 SERIES: DELAYED EGRESS MAGNETIC LOCKS



**Building & Fire Life Safety Code Compliant:**  
 IBC International Building Code  
 NFPA 101 Life Safety Code  
 NFPA 1, UFC Uniform Fire Code  
 CBC California Building Code  
 BOCA National Building Code  
 Chicago Building Code



## FEATURES

- Voice annunciator & progressive LED count-down timer
- Choice of sensor activation:
  - Door motion
  - Door exit device with momentary N/O contact
  - Push bar with momentary N/O contact
- Auto / manual start-up on power restore
- Vandal resistant proximity trigger sensor
- Auto sensing power input with polarity protection
- Anti-Passback / Auto Re-Lock

## SPECIFICATIONS

<b>Voltage:</b>	12/24VDC +/- (Auto Sensing)
<b>Current Draw:</b>	600mA @ 12VDC   350mA @ 24VDC
<b>Lock Status Relay Rating Max:</b>	30VDC, 2A
<b>Alarm Output Rating Max:</b>	30VDC, 2A
<b>DPS Rating:</b>	Max. 30VDC, 0.1A
<b>Bond Sensor Rating:</b>	Max. CX-DE1200: 30VDC, 2A
<b>ATS Rating:</b>	30VAC / 42.4VDC, 5A (Max.)
<b>Holding Force:</b>	Up to 1,200 lbs (544 kg.)
<b>Operating Temp:</b>	0-55°C (32-131°F)

## MODELS

DELAYED EGRESS MAGNETIC LOCK - SINGLE DOOR	
<b>CX-DE1200-N1</b>	Single Maglock, NFPA 101, IBC, IFC, UBC Compliant
<b>CX-DE1200-N2</b>	Single Maglock, NFPA 101, IBC, IFC, UBC, CBC (OSHPD) Compliant
<b>CX-DE1200-N3</b>	Single Maglock, NFPA 101, IBC, IFC, UBC - Fixed 30 sec. exit delay
<b>CX-DE1200-N4</b>	Single Maglock, NFPA 101, IBC, IFC, UBC - Fixed 15 sec. exit delay
<b>CX-DE1200-B1</b>	Single Maglock, BOCA Building Code - Fixed 15 sec. exit delay
<b>CX-DE1200-B2</b>	Single Maglock, BOCA Building Code - Fixed 30 sec. exit delay
<b>CX-DE1200-B3</b>	Single Maglock, City of Chicago Building Code

## DELAYED EGRESS MAGNETIC LOCK - DOUBLE DOOR

<b>CX-DE1220-N1</b>	Single & Tandem Maglock, NFPA 101, IBC, IFC, UBC Compliant
<b>CX-DE1220-N2</b>	Single & Tandem Maglock, NFPA 101, IBC, IFC, UBC, CBC (OSHPD) Compliant
<b>CX-DE1220-N3</b>	Single & Tandem Maglock, NFPA 101, IBC, IFC, UBC - Fixed 30 sec. exit delay
<b>CX-DE1220-N4</b>	Single & Tandem Maglock, NFPA 101, IBC, IFC, UBC - Fixed 15 sec. exit delay
<b>CX-DE1220-B1</b>	Single & Tandem Maglock, BOCA Building Code - Fixed 15 sec. exit delay
<b>CX-DE1220-B2</b>	Single & Tandem Maglock, BOCA Building Code - Fixed 30 sec. exit delay
<b>CX-DE1200-B3</b>	Single & Tandem Maglock, City of Chicago Building Code

## MOUNTING ACCESSORIES

<b>CX-DE1214-38</b>	3/8" Spacer Bar
<b>CX-DE1214-58</b>	5/8" Spacer Bar
<b>CX-DE1215</b>	1" x 1-1/2" L Bracket
<b>CX-DE1216</b>	1-1/2" x 1-1/2" L Bracket
<b>CX-DE1217</b>	2" L Bracket

## SYSTEM ACCESSORIES

<b>CX-DE502S0</b>	Remote annunciator for audio and visual distinction, stainless steel faceplate has a piezo and tri-color LED
<b>CX-DESPK</b>	Remote speaker station for audio and visual distinction, 3 LED color states and 8-ohm speaker for remote messaging
<b>CX-DESPK15FM</b>	Flush Mount, external 15W audio speaker station, non-illuminated
<b>CX-DESPK15SM</b>	Surface Mount, external 15W audio speaker station, non-illuminated
<b>CX-DESPK15/54i</b>	Surface Mount, external 15W audio speaker station, with Aura™ PCB feature displaying 3 colors for designated states
<b>CX-DESPK15/55i</b>	Flush Mount, external 15W audio speaker station, with Aura™ PCB feature displaying 3 colors for designated states
<b>CX-6057A027</b>	Delayed egress sign, raised lettering and braille language for the visually impaired



## DELAYED EGRESS MAGNETIC LOCK OPERATION

Delayed egress magnetic locks are available in a range of factory default operating modes. Select the model for your application based upon the NFPA, BOCA, and operation requirements of your local authority having jurisdiction.

MODELS	DELAY RELEASE TIME (SECONDS)		NUISANCE DELAY (SECONDS)		RESET AFTER ALARM		LOCK STATUS ON POWER-UP	
	FIXED	SELECTABLE	FIXED	SELECTABLE	FIXED	SELECTABLE	FIXED	SELECTABLE
CX-DE1200/1220-N1		15 or 30		1 or 2		Manual		Locked / Unlocked
CX-DE1200/1220-N2	15			0 or 1		Manual		Locked / Unlocked
CX-DE1200/1220-N3	30			0 or 1		Manual		Locked / Unlocked
CX-DE1200/1220-N4	15			0 or 1		Manual	Unlocked	
CX-DE1200/1220-B1	15			0 or 3	Auto / Manual			Locked / Unlocked
CX-DE1200/1220-B2	30			0 or 3	Auto / Manual			Locked / Unlocked
CX-DE1200/1220-B3	15		0		Auto / Manual			Locked / Unlocked

N# = NFPA COMPLIANCE      B # = BOCA COMPLIANCE

## DELAYED EGRESS MAGNETIC LOCK ACCESSORIES



CX-DE502SO



CX-DESPK



CX-DESPK15-54i



CX-DESPK15-55i

PUSH UNTIL ALARM SOUNDS. DOOR CAN BE OPENED IN 15 SECONDS.

KEEP PUSHING. THIS DOOR WILL OPEN IN 15 SECONDS. ALARM WILL SOUND.

PUSH UNTIL ALARM SOUNDS. DOOR CAN BE OPENED IN 30 SECONDS.

KEEP PUSHING. THIS DOOR WILL OPEN IN 30 SECONDS. ALARM WILL SOUND.

KEEP PUSHING. THIS DOOR WILL OPEN IN 15 SECONDS. ALARM WILL SOUND.







KEEP PUSHING

Signs Included with CX-DE1200 / CX-DE1220  
4.5" x 13" (11cm x 33cm)

Optional braille sign  
60-57A027

# CX-DE1200 SERIES:

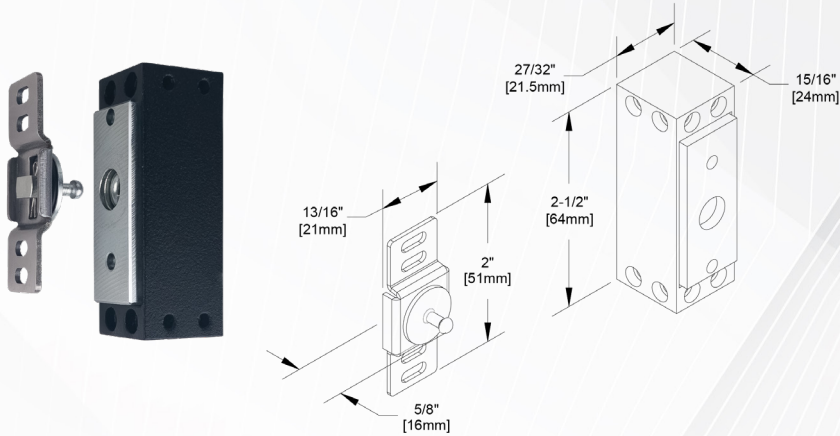
## DELAYED EGRESS MAGNETIC LOCKS COMPARISON CHART

MANUFACTURER	CAMDEN	SDC	ASSA ABLOY - SECURITRON	DYNALOCK	DORMAKABA RCI	ALLEGION LOCKNETICS SCHLAGE
PHOTO						
MODEL	CX-DE1200	1511S	DEM680E	3101C-G2	DE8310S	M490DEP
VOICE ALERTS	English/Spanish/ French	English/Spanish/ French	No	No	No	No
DOUBLE DOOR	Yes (CX-DE1220)	Yes	No	Yes	Yes	Yes
HOLDING FORCE	1200 lbs	1650 lbs	1200 lbs	1500 lbs	1200 lbs	1300 lbs
VOLTAGE	12/24 VDC	12/24 VDC	12/24 VDC	12 or 24 VDC	12-24 VDC	12 or 24 VDC
LED COUNTDOWN DISPLAY	Yes	Yes	No	No	No	No
AUTO CALIBRATION DOOR MOVEMENT	No	No	Yes	No	No	No
EXTERNAL ALARM DRY CONTACT	2 Amp @ 30 VDC	1 Amp @ 30 VDC	1 Amp @ 24 VDC	1 Amp @ 24 V AC/DC	DPDT, 2 Amp @ 30 VDC	No
CONFIGURABLE NUISANCE DELAY (SEC)	0, 1 or 3	0, 1 or 2	0, 1, 2 or 3	1 or 3	0, 1, 2, 3	0, 1, 2, 3
CONFIGURABLE ALARM DELAYS (SEC)	15 or 30	15 or 30	15 or 30	15 or 30	15 or 30	15
DOOR PROP OPEN ALARM (SEC)	Yes	Yes	Yes	No	Yes	Yes
BYPASS DELAY TIMES	Yes	Yes	Yes	Yes	Yes	N/A
BYPASS EXPIRATION ALARM	No	No	Yes	No	No	No
ADJUSTABLE RELOCK TIME (SEC)	Fixed 30	15 or 30	Fixed 30	No	Fixed 30	0 to 30
CERTIFICATIONS	UL294, ULCS533	UL294, UL10B, UL10C, ULCS104, ULCS533, CSFM	UL294, UL10C CSFM, CAN/ULCS104	UL294, CSFM	CA/ULCS104, UL10C, UL294, CAN/ULCS533	UL10C, CUL, CSFM, UL294
COMPLIANCE	NFPA, BOCA2017, IBC, Chicago	NFPA, BOCA1999, IBC, Chicago	NFPA, BOCA2017, Chicago	NFPA, BOC 1999, Chicago	NFPA, IBC, BOCA1999	NFPA, BOCA1999
ANTI-TAMPER UNMOUNTING	No	Anti-tamper Plugs	No	No	Screws Prevent Allen Wrench Removal	Spanner Wrench
DIMENSIONS	11" x 3" x 3"	11" x 2.75" x 2.625"	11.5" x 3.125" x 2.5"	11" x 4" x 2.75"	11.75" x 2.875" x 2.125"	12.5" x 3" x 3.125"
WARRANTY	5-Year	5-Year	Limited Lifetime	Limited Lifetime	10-Year Limited	Limited Lifetime

# CABINET LOCKS

## CX-EPD0009:

### MAGNETIC CABINET LOCK

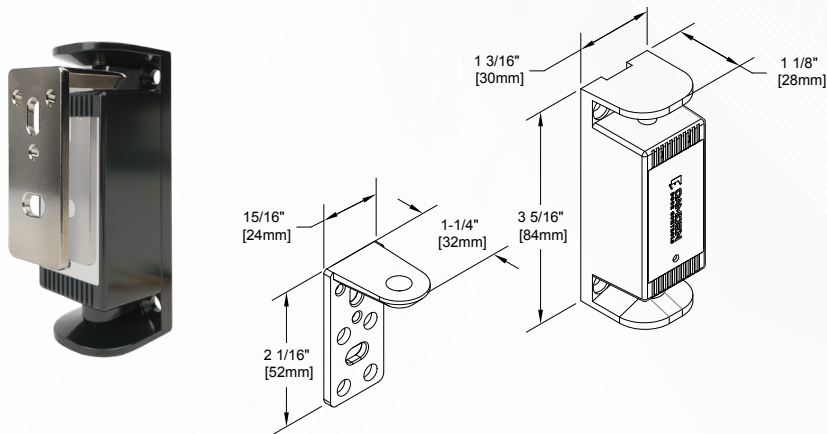


#### FEATURES

- Front or side mounting for use with swing or sliding doors and drawers
- Armature plate adjusts to door alignment
- 440 lbs (200 kg) holding force
- Water resistant for indoor and outdoor use
- 5 lbs preload

## CX-ED0010:

### ELECTROMECHANICAL CABINET LOCK



#### FEATURES

- Side mounting for use with swing or sliding doors and drawers
- Armature plate adjusts to door alignment
- 440 lbs (200 kg) holding force
- Flexibility of operating in fail-safe or fail-secure modes

#### SPECIFICATIONS

<b>Power Input:</b>	12/24VDC
<b>Current Draw:</b>	60mA @ 12VDC   110mA @ 24VDC
<b>Static Strength:</b>	440 lbs (200 kg) Holding Force
<b>Preload:</b>	5 lbs
<b>Endurance:</b>	250,000 Cycles
<b>Operation Mode:</b>	Fail Safe
<b>Temperature Rating:</b>	-4°F to 140°F (-20°C to 60°C)
<b>Installation Options:</b>	Front Mount, Side Mount

#### MODELS

<b>CX-EPD0009</b>	Magnetic Cabinet Lock
-------------------	-----------------------

#### BRACKETS

<b>CX-CL-LZBRK</b>	L&Z Bracket for use with CX-EPD0009
--------------------	-------------------------------------



CX-CL-LZBRK

SCAN ME



#### SPECIFICATIONS

<b>Power Input:</b>	12/24VDC
<b>Current Draw:</b>	280mA @ 12VDC   140mA @ 24VDC
<b>Static Strength:</b>	440 lbs (200 kg) Holding Force
<b>Endurance:</b>	250,000 Cycles
<b>Operation Mode:</b>	Fail Safe/Fail Secure
<b>Temperature Rating:</b>	-4°F to 140°F (-20°C to 60°C)
<b>Installation Options:</b>	Front Mount
<b>Door Status Sensor:</b>	200mA @ 30VDC (Max) Form C
<b>Lock Status Sensor:</b>	1A @ 30V DC (Max)

#### MODELS

<b>CX-ED0010</b>	Electromechanical Cabinet Lock
------------------	--------------------------------

SCAN ME





### **BEST QUALITY**

Camden is an ISO-9001 certified manufacturer with North American product design and manufacturing. Camden's dedication to product quality results in a manufacturing defect rate of less than 1%.



### **EXCLUSIVE PRODUCTS**

Camden leads the market with no-touch switches, wireless door activation, restroom control (privacy) systems, and electronic locking solutions that are not available from any other manufacturers.



### **FASTEST DELIVERY**

Our excellence in supply chain management gives Camden an industry-leading order fulfillment rate and the ability to ship 90% of orders within two business days!



**Opening New Doors to Innovation, Quality, and Support!**