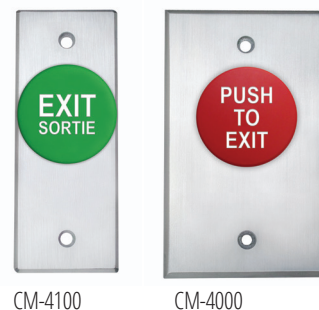


CM-4000 Series Push Buttons

INSTALLATION INSTRUCTIONS

THIS PACKAGE INCLUDES:

- (1) 1 5/8" (40 mm) diameter push button.
- (1) 1/4" thick brushed aluminum faceplate
- (1) Normally open and/or normally closed contact block.
- (1) Parts kits



1. GENERAL DESCRIPTION

Camden Door Controls CM-4000 Series Switches are heavy duty push buttons designed for industrial and commercial applications. Buttons are 1 5/8" (40mm) in diameter and are available in red, blue or green. The faceplate is 1/4" [6mm] thick brushed aluminum. Optional duranodic (US40) finish is also available.

CM-4000 Series switches utilize UL listed switch components. Finished models comply with UL61058 Standard for Switches. Rated 6 amps @ 30V AC/DC, either momentary or maintained operation.

2. SPECIFICATIONS

Voltage	12/24 VDC
Contact Rating	6A @ 30 VDC
Temperature Range	-13°F to 158°F (-25°C to 70°C)
Switch Type	Momentary, Maintained
Standard Finish	Brushed Aluminum
Dimensions	<p>CM-4000: 4 1/2" H x 2 3/4" W x 1 1/2"D (114mm X 70mm x 38mm)</p> <p>CM-4000N 4 1/2" H x 1 3/4" W x 1 1/2"D (114mm X 44mm x 38mm)</p>

3. APPLICATION

Camden CM-4000 Series Switches are ideal for high traffic areas such as building front entrances and exits, as well as institutions, such as hospitals. They can be surface, flush, or mullion mounted.

Camden CM-4000 Series Switches are designed to control electric locks, electro-magnetic locks, electric strikes, automatic doors, and handicap operators. They may also be used for automatic doors, shunting, bypassing alarms, request-to-exit, timed functions, and many other applications.

The switches are made for high frequency usage, in an indoor or outdoor environment. Camden Push Switches are versatile, and are supplied in various configurations to suit commercial, industrial, and residential applications.

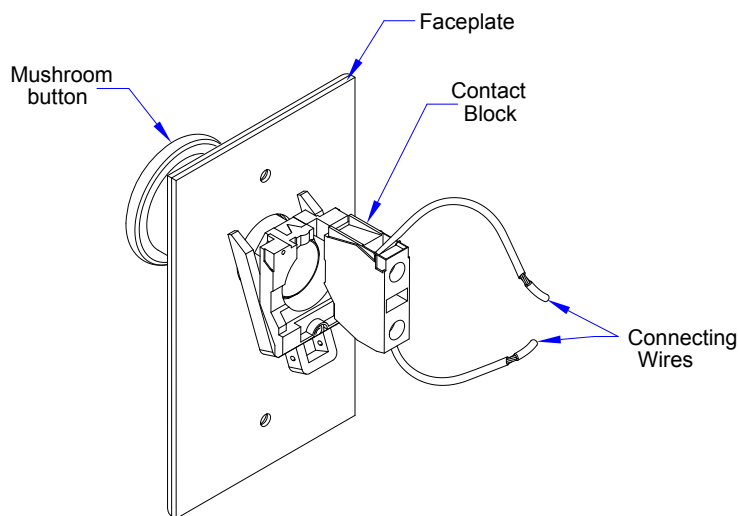
4. INSTALLATION

The CM-4000 series can be ordered with either a Normally Open or Normally Closed contact block. Each contact block is color coded. A contact block with a green actuator is Normally Open, where the red actuator is Normally Closed. Both types are available in a Momentary configuration.

The CM-4000 series comes with one contact block but can easily have three attached across the back of the button. If the application calls for more than three functions to happen on activation, then each contact block can be stacked with another, doubling the number of functions on activation.

Installation is very simple by inserting the wiring into the top and the bottom of the contact block and securing them with the two screw terminals.

Each contact block has its screw terminals numbered so that the provided diagrams can be followed with ease and clarity. The CM-4000 Series are supplied with a 1-3/4" brushed aluminum faceplate for door jamb mounting and can be easily be mounted to a single gang electrical box.



CM-4000 BACK VIEW

CM-4000 SERIES PUSH BUTTONS

INSTALLATION INSTRUCTIONS

5. WIRING

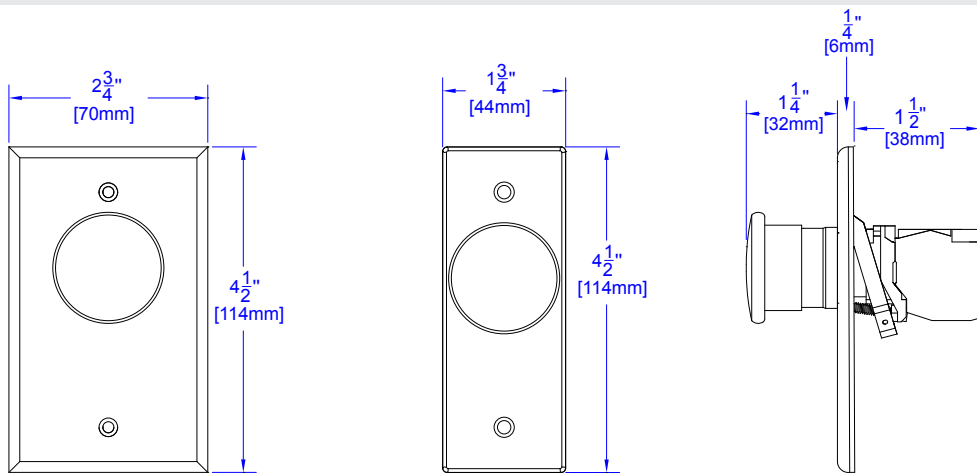
WIRING LAYOUT & COLOR CODING		
SWITCH TYPE	SPST N.O.	SPST N.C.
COMMON	BLACK	BLACK
NORMALLY OPEN	BLACK	
NORMALLY CLOSED		BLACK



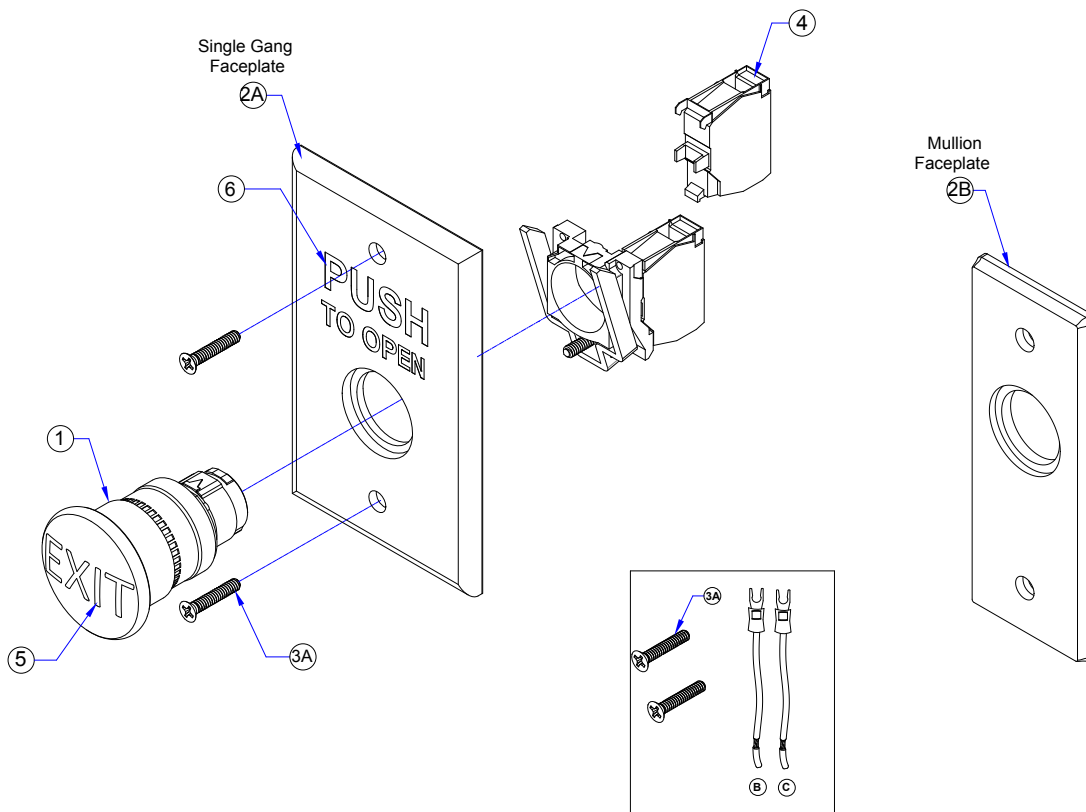
Momentary: When the switch is pressed the current pole will change to the opposite state until released.

Maintained: When the switch is pressed it will provide the opposite pole until the button is pressed again

6. CM-4000 AND CM-4100 SERIES FRONT AND SIDE VIEW



7. PARTS INFORMATION



CM-4000 SERIES PUSH BUTTONS

INSTALLATION INSTRUCTIONS

MODEL NUMBERS				
	MODEL NUMBER		QTY	DESCRIPTION
	SINGLE GANG	MULLION		
	CM-4000	CM-4100	1	NORMALLY OPEN CONTACT BLOCK
	CM-4010	CM-4110	1	NORMALLY CLOSED CONTACT BLOCK
	CM-4020	CM-4120	1	NORMALLY OPEN & NORMALLY CLOSED CONTACT BLOCK
	CM-4030	CM-4130	1	NORMALLY OPEN CONTACT BLOCK
	CM-4040	CM-4140	1	NORMALLY CLOSED CONTACT BLOCK
	CM-4050	CM-4150	1	NORMALLY OPEN & NORMALLY CLOSED CONTACT BLOCK

ORDERING INFORMATION FOR REPLACEMENT PARTS		
ITEM NUMBER	PART NUMBER	DESCRIPTION
1	60-66A000	RED MOMENTARY MUSHROOM BUTTON (DIA. 1 5/8")
	60-66A005	BLUE MOMENTARY MUSHROOM BUTTON (DIA. 1 5/8")
	60-66E006	GREEN MOMENTARY MUSHROOM BUTTON (DIA. 1 5/8")
	60-66A002	RED MAINTAINED MUSHROOM BUTTON (DIA. 1 5/8")
2	A 60-41A003	DIE-CAST ALUMINUM SINGLE GANG FACE PLATE 4 1/2"H x 2 3/4"W x 1 3/4"D (114mm x 70mm x 44mm)
	B 60-41A004	DIE-CAST ALUMINUM MULLION FACE PLATE 4 1/2"H x 1 3/4"W x 1 3/4"D (114mm x 44mm x 44mm)

PARTS KIT		
ITEM NUMBER	PART NUMBER	DESCRIPTION
3.	FOR N-C & N-O CONTACTS	(A) 6-32 x 3/4 FLAT HEAD PHILLIPS ZINC PLATED SCREW (B) 6" ORANGE WIRE WITH INSULATED SPADE CONNECTOR (C) 6" BLUE WIRE WITH INSULATED SPADE CONNECTOR
	60-34B024	
	FOR N-O CONTACTS	(A) 6-32 x 3/4 FLAT HEAD PHILLIPS ZINC PLATED SCREW (B) 6" BLUE WIRE WITH INSULATED SPADE CONNECTOR (C) 6" GREY WIRE WITH INSULATED SPADE CONNECTOR
	60-34B025	
	FOR N-C CONTACTS	(A) 6-32 x 3/4 FLAT HEAD PHILLIPS ZINC PLATED SCREW (B) 6" ORANGE WIRE WITH INSULATED SPADE CONNECTOR (C) 6" GREY WIRE WITH INSULATED SPADE CONNECTOR
	60-34B026	

CM-4000 SERIES PUSH BUTTONS

INSTALLATION INSTRUCTIONS

INDIVIDUAL CONTACT OPTIONS			
ITEM NUMBER	PART NUMBER	QTY	ITEM NUMBER
4.	60-66C000	1	NORMALLY OPEN CONTACT BLOCK
	60-66C001	1	NORMALLY CLOSED CONTACT BLOCK
	60-66C002	1	NORMALLY CLOSED CONTACT AND NORMALLY OPEN BLOCK
BUTTON ENGRAVED (IN WHITE) OPTIONS			
ITEM NUMBER	MODEL NUMBER	DESCRIPTION	
5.	CM-xxxE	EXIT	
	CM-xxxS	EXIT / SORTIE	
	CM-xxxS	SORTIE	
	CM-xxxESA	EXIT / SALIDA	
	CM-xxxH	HANDICAP LOGO	
	CM-xxxSA	SALIDA	
FACE PLATE ENGRAVED (IN BLACK) OPTIONS			
ITEM NUMBER	MODEL NUMBER	DESCRIPTION	
6.	CM-xxx/3	PUSH TO OPEN	
	CM-xxx/3F	POUSSEZ POUR OUVRIR	
	CM-xxx/3S	EMPUJE PARA ABRIR	
	CM-xxx/7	PUSH TO EXIT	
	CM-xxx/7F	POUSSEZ POUR SORTIR	
	CM-xxx/8	PUSH TO LOCK	
COMPATIBLE MOUNTING BOXES OPTION			
	PART NUMBER	DESCRIPTION	
	CM-34AL	SURFACE MOUNT BOX WITH STANDARD DEPTH AND THREADED CONDUIT ENTRY. HEAVY DUTY CAST ALUMINUM 2-3/4"H X 4-1/2"W X 1-3/4"D [70MM X 144MM X 47MM], 2-3/4"H X 4-1/2"W X 1-3/4"D [70MM X 144MM X 47MM]	
	CM-66	FLUSH BOX & DRESS PLATE, STANDARD DEPTH BOX WITH 7" X 7" DRESS PLATE HEAVY GAUGE STAINLESS STEEL	
	CM-31	SLEEVE COVER FOR STANDARD 2 3/4" X 4 1/4" (69MM X 108MM) SURFACE ELECTRICAL BOX. HEAVY GAUGE STAINLESS STEEL	
	CM-CPC1	VANDAL AND WEATHER RESISTANT CLEAR LIFT COVER	
	CM-34BL	SINGLE GANG BLACK ABS BOX, SURFACE MOUNT 4 1/2"H X 2 7/8" W X 1 3/4"D (117MM X 73MM X 44MM)	
	CM-34D	SURFACE MOUNT BOX, EXTRA DEPTH HEAVY DUTY GREY POLYMER 4 1/2"H x 2 3/4"W x 1 3/4"D [114mm x 70mm x 44mm]	
	FOR CM-4000 NARROW SERIES		
	CM-23D	SURFACE BOX WITH EXTRA DEPTH, FLAME AND IMPACT RESISTANT BLACK POLYMER (ABS) 4 1/2"H X 1 3/4" W X 1 1/2"D [114MM X 44MM X 38MM]	