

CM-RH-SG and CM-RH-DG Rain Hood

INSTALLATION INSTRUCTIONS

THIS PACKAGE INCLUDES:

1. Rain Hood
2. Sponge Gasket



CM-RH-SG



CM-RH-DG

1. GENERAL DESCRIPTION

The Camden Door Controls Rain-Hood CM-RH-SG and CM-RH-DG has been designed to provide additional protection from the elements such as: rain, snow, or direct sunlight. The rain-hood comes in two models: single gang or double gang and is made of stainless steel. When a keypad, keyswitch, push button or Sure Wave touchless switch will be installed outdoors and requires additional protection against the elements the Camden Door Controls Rain-Hood should be installed.

With its 2" deep top-plate and contoured sidewalls it provides unobstructed access to your device when in use. A foam gasket is supplied to be used between the rain hood and mounting surface to ensure against water seepage even on irregular surfaces such as brick walls.

2. INSTALLATION

Method 1 (single gang prep or electrical box)

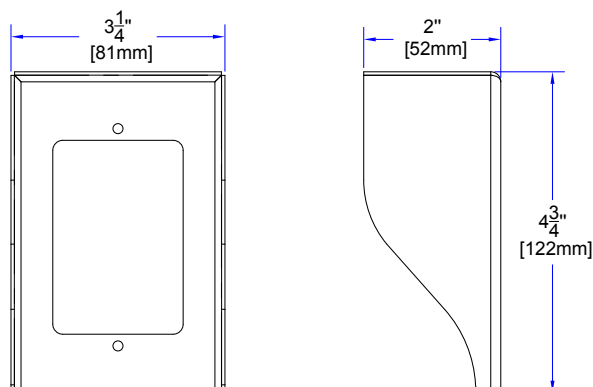
Place the gasket on the back of the rain hood. Then feed the screws through the front of the rain hood and gasket to hold the gasket in place. Next, screw the two screws securely through the threaded holes in the single gang prep or electrical box. Do not overtighten but confirm the gasket has conformed to the contour of the wall or surface being installed onto.

Method 2 (surface mount on a back box)

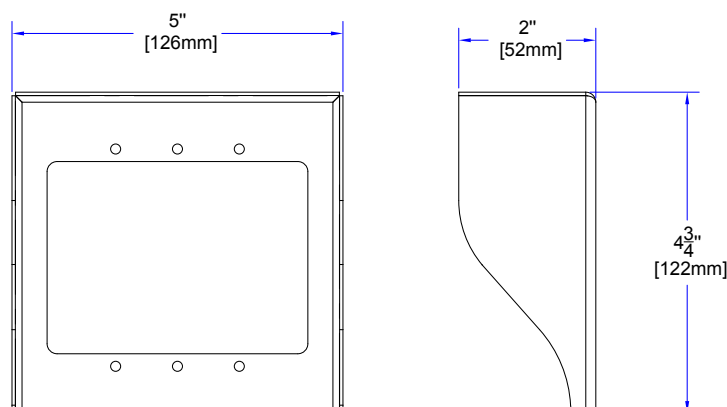
Install the surface mount back box (single gang/double gang) onto the wall.

Place the gasket on the back of the rain hood. Then feed the screws through the front of the rain hood and gasket to hold the gasket in place. Next, screw the two screws securely through the threaded holes of the back box. Do not overtighten but confirm the gasket has conformed to the rim of the back box being used.

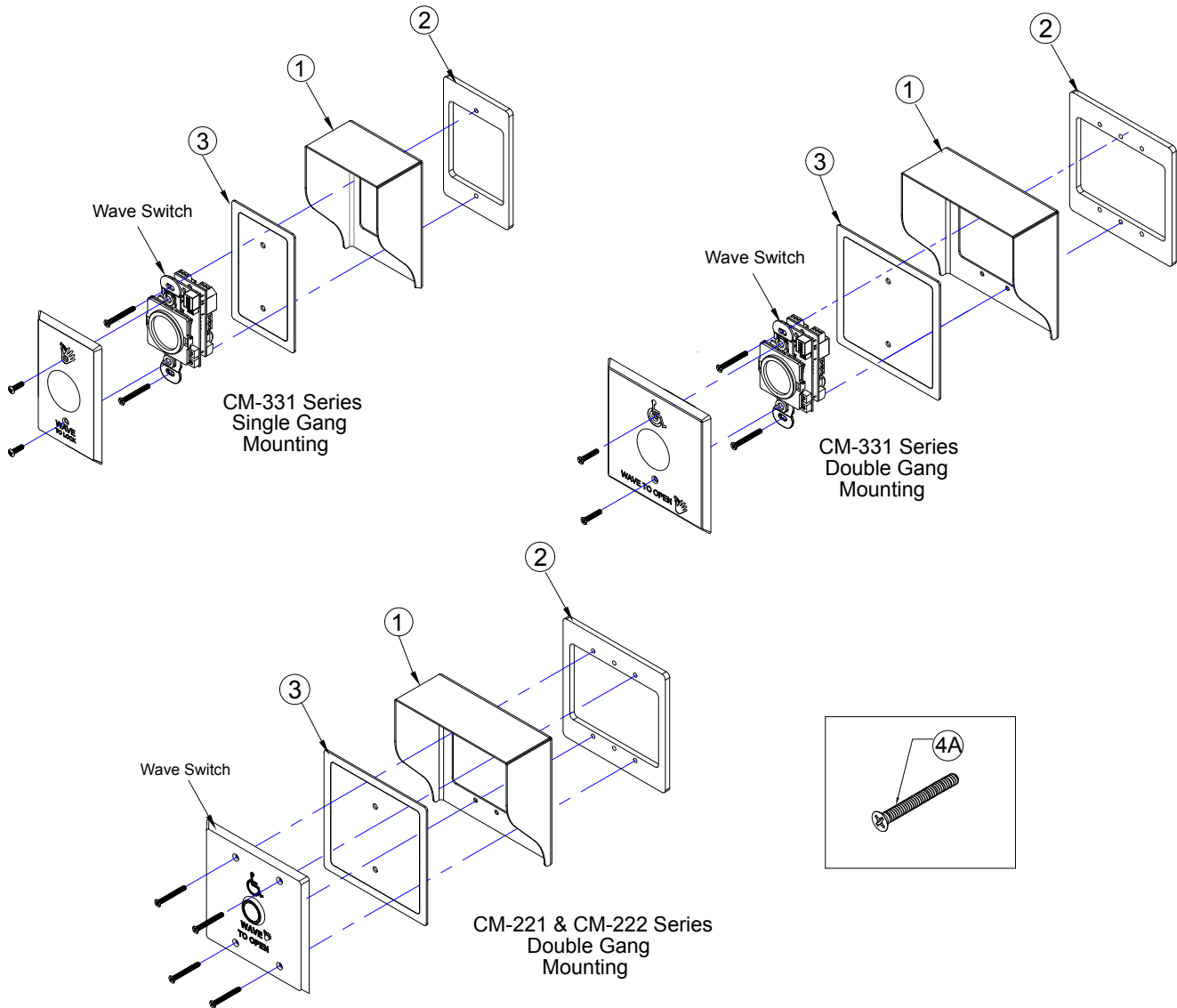
Single Gang



Double Gang



3. EXPLODED VIEW



MODEL NUMBERS			
ITEM NUMBER	MODEL NUMBER	QTY	DESCRIPTION
1	60-40D030	1	SINGLE GANG STAINLESS STEEL RAIN HOOD
	60-40D031	1	DOUBLE GANG STAINLESS STEEL RAIN HOOD
2	60-59H017	1	SINGLE GANG FOAM GASKET
	60-59H018	1	DOUBLE GANG FOAM GASKET
3		1	
PARTS KIT			
ITEM NUMBER	PART NUMBER	QTY	DESCRIPTION
4	60-34B102	1	(A) 6-32 X 1-1/4" PHILLIPS FLAT HEAD STAINLESS STEEL SCREW (2 Pcs)
	60-34B103	1	(A) 6-32 X 1-1/4" PHILLIPS FLAT HEAD STAINLESS STEEL SCREW (4 Pcs)