

CM-7085 & CM-8085 Series Mushroom Push Buttons

INSTALLATION INSTRUCTIONS

THIS PACKAGE INCLUDES:

- (1) 1" (25mm) diameter Recessed red or green Push button for the CM-7085 Series or
- (1) 1" (25mm) diameter Extended red or green Push button for CM-8085 Series
- (1) Single Gang Die-cast Aluminum Faceplate
- (1) Pneumatic time delay.



CM-7085 & CM-8085

1. GENERAL DESCRIPTION

Camden Door Controls CM-7085 and CM-8085 Series Switches are heavy duty push buttons designed for industrial and commercial applications. CM-7085 buttons are 1" (25mm) in diameter, CM-8085 buttons are 1" (25mm) in diameter. They are available in red or green (other colors on request). All switches feature vandal resistance faceplate 1/4" [6mm] thick brushed aluminum, optional duranodic (US40) finish is also available.

CM-7085 and CM-8085 Series switches are supplied with 1-60 second pneumatic timer. Pneumatic timer features 6 amps @ 24VDC.

2. SPECIFICATIONS

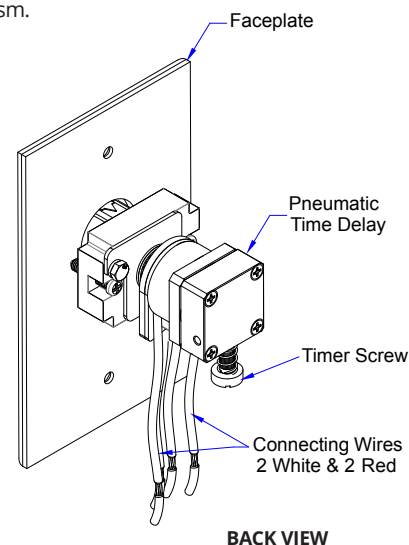
Voltage	12/24 VDC
Contact Rating	6A @ 24 VDC
Temperature Range	-13°F to 158°F (-25°C to 75°C)
Time Range:	1-60 Sec
Timer Life:	1,000,000 operations
Switch Type	Momentary
Contact Type:	N-C, N-O
Standard Finish	Brushed Aluminum
Dimensions	<p>CM-7085 & CM-8085 NARROW: 4 1/2" H x 1 3/4" W x 2 1/8"D (114mm X 44mm x 54mm)</p> <p>CM-7085 & CM-8085 SINGLE GANG 4 1/2" H x 2 3/4" W x 2 1/8"D (114mm X 70mm x 54mm)</p>

3. APPLICATION

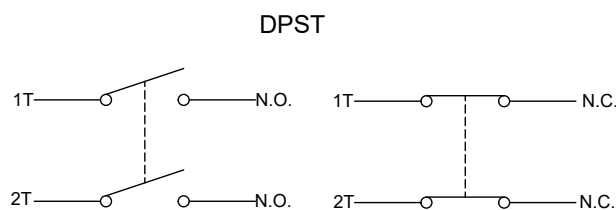
Camden CM-7085 and CM-8085 Series 'Request To Exit' Series Switches with built in pneumatic time delay are ADA (American Disabilities Act) compliant and are designed to de-energize electric locking devices (such as magnetic locks) on egress doors without reliance upon electrical power for their operation. The mechanical pneumatic timer is also adjustable, allowing flexible time control as required in the field. Select models comply with UL 294 (standard for access control systems) and are designed for use in access control installations meeting IBC (International Building Code) requirements.

4. INSTALLATION

Pneumatic time delays require no power to operate. The timing range is 1 – 60 seconds and is easily adjusted by a thumbscrew. CM-7085 and 8085 Series mushroom push switches are heavy duty push buttons specially designed and manufactured to meet the stringent demands of exit control. No set screws are required, due to the bayonet interlocking of the modular assembly. Buttons are free spinning, for additional protection against vandalism.



5. WIRING



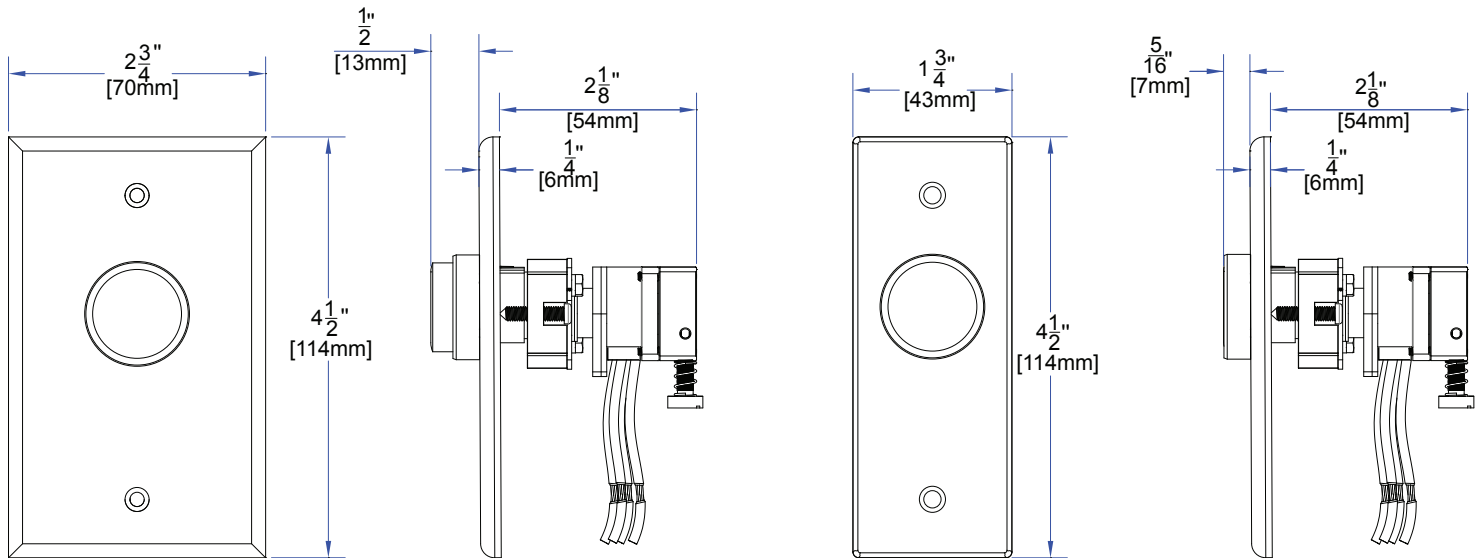
Momentary: When the switch is pressed it will provide a change of state on both the N.O. & N.C. poles until released.

WIRING LAYOUT & COLOR CODING		
SWITCH TYPE	DPST N.O.	DPST N.C.
NORMALLY OPEN	WHITE	RED
NORMALLY CLOSED	WHITE	RED

CM-7085 AND CM-8085 SERIES MUSHROOM PUSH BUTTONS

INSTALLATION INSTRUCTIONS

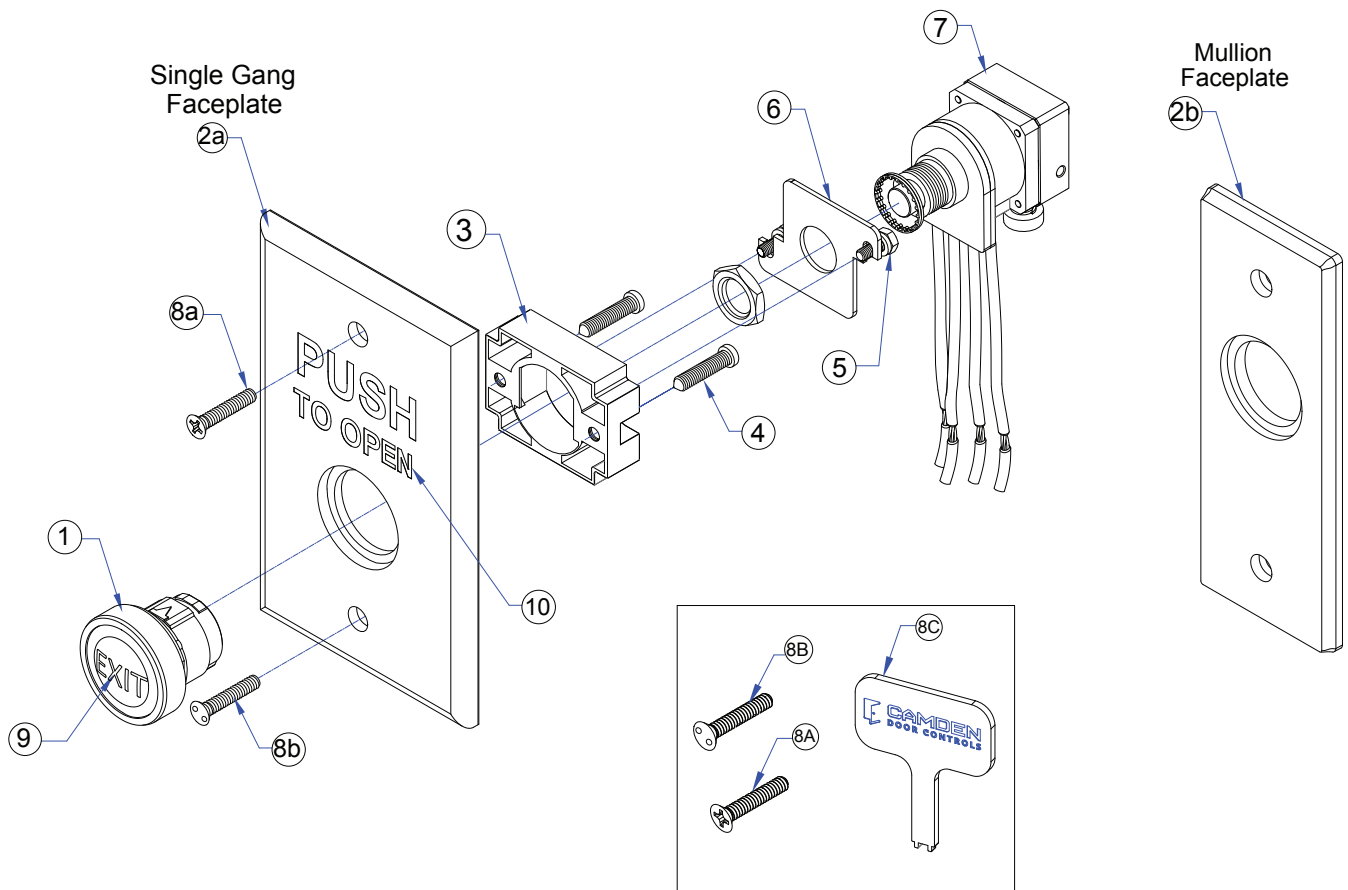
6. CM-7085 AND CM-8085 SERIES FRONT AND SIDE VIEW



CM-8085 SERIES, EXTENDED BUTTON

CM-8085 SERIES, RECESSED BUTTON

7. PARTS INFORMATION



CM-7085 AND CM-8085 SERIES MUSHROOM PUSH BUTTONS

INSTALLATION INSTRUCTIONS

ORDERING INFORMATION FOR REPLACEMENT PARTS		
ITEM NUMBER	PART NUMBER	DESCRIPTION
1.	CM-7085 SERIES	
	60-66A014	RECESSED RED MOMENTARY MUSHROOM BUTTON (DIA. 1 5/8")
	60-66A015	RECESSED GREEN MOMENTARY MUSHROOM BUTTON (DIA. 1 5/8")
	CM-8085 SERIES	
	60-66A019	EXTENDED GREEN MOMENTARY MUSHROOM BUTTON (DIA. 1 5/8")
	60-66A020	EXTENDED GREEN MOMENTARY MUSHROOM BUTTON (DIA. 1 5/8")
2.	A	60-41A003 DIE-CAST ALUMINUM SINGLE GANG FACE PLATE 4 1/2"H x 2 3/4"W x 1 3/4"D (114mm x 70mm x 44mm)
	B	60-41A004 DIE-CAST ALUMINUM MULLION FACE PLATE 4 1/2"H x 1 3/4"W x 1 3/4"D (114mm x 44mm x 44mm)
3.	60-40G020	ALUMINUM BLOCK FOR PNEUMATIC SWITCHES
4.	60-51Z051G20	M4 X 16mm PHILLIPS SCREW
5.	60-51Z032B08 60-53C003A01	M3 X 8 SOCKET HEAD CAP BLACK SCREW WITH ZINC PLATED LOCK WASHER
6.	60-60A004	MOUNT BRACKET FOR PNEUMATIC SWITCHES
7.	RM-1000/85M	PNEUMATIC TIME DELAY FOR PUSH BUTTONS
PARTS KIT		
ITEM NUMBER	PART NUMBER	DESCRIPTION
8.	60-40G020	(A) 6-32 x 3/4 FLAT HEAD PHILLIPS ZINC PLATED SCREW (2) (B) SNAKE EYE TAMPER PRF SCREW 6-32 x 3/4 (2) (C) KEY FOR TAMPER PRF SCREW
BUTTON ENGRAVED OPTIONS		
ITEM NUMBER	PART NUMBER	DESCRIPTION
9.	CM-xxxE	ADD 'E' FOR EXIT
	CM-xxxS	ADD 'S' and SORTIE
	CM-xxxSA	ADD 'SA' FOR SALIDA
FACE PLATE ENGRAVED (IN BLACK) OPTIONS		
ITEM NUMBER	PART NUMBER	DESCRIPTION
10.	CM-xxx/3	PUSH TO OPEN
	CM-xxx/3F	POUSSEZ POUR OUVRIR
	CM-xxx/3S	EMPUJE PARA ABRIR
	CM-xxx/7	PUSH TO EXIT
	CM-xxx/7F	POUSSEZ POUR SORTIR
	CM-xxx/8	PUSH TO LOCK
COMPATIBLE MOUNTING BOXES OPTIONS		
ITEM NUMBER	PART NUMBER	DESCRIPTION
8.	CM-34AL	SURFACE MOUNT BOX WITH STANDARD DEPTH AND THREADED CONDUIT ENTRY. HEAVY DUTY CAST ALUMINUM 4-1/2" H x 2-3/4" W x 1-3/4" D [117MM X 73MM X 47MM]
	CM-66	FLUSH BOX & DRESS PLATE, STANDARD DEPTH BOX WITH 7" X 7" DRESS PLATE HEAVY GAUGE STAINLESS STEEL
	CM-31	SLEEVE COVER FOR STANDARD 2 3/4" x 4 1/4" (69MM x 110MM) SURFACE ELECTRICAL BOX. HEAVY GAUGE STAINLESS STEEL
	CM-CPC1	VANDAL AND WEATHER RESISTANT CLEAR LIFT COVER
	CM-34BL	SINGLE GANG BLACK ABS BOX, SURFACE MOUNT 4 1/2"H x 2 7/8"W x 1 3/4"D [117MM x 73MM x 44MM]
	CM-34D	SINGLE SURFACE BOX, EXTRA DEPTH 4 1/2"H x 2 3/4"W x 3"D [117MM x 71MM x 74MM]
	FOR NARROW SERIES	
	CM-23D	Surface box with extra depth, flame and impact resistance black polymer (abs) 4 1/2" H x 1 3/4" W x 1 1/2" D [117MM x 46MM x 43MM]