

CM-400 Series 1 5/8" Pushbutton, Stainless Steel Faceplate

INSTALLATION INSTRUCTIONS



CM-400

PACKAGE CONTENTS
(1) 1 5/8" (40 mm) diameter and free-spinning, heavy-duty button
(1) Vandal resistant 18-gauge stainless steel faceplate
(1) Normally open and/or Normally closed, Contact block
(1) Parts kit

1. GENERAL DESCRIPTION

The CM-400 series comes in three different styles of faceplates (Single Gang, Double Gang and Mullion). Graphic Options can be added to either the faceplate or the button face. An assortment of mounting boxes is also available for each style.

2. SPECIFICATIONS

Voltage	12-24V AC/DC
Contact Rating	6A @ 30V AC/DC
Switch Type	Momentary & Maintained
Standard Finish	US32/C32D
Dimensions	<p>CM-400: 4 1/2"H x 2 3/4"W x 1 3/4"D (114mm x 70mm x 44mm)</p> <p>CM-400N: 4 1/2"H x 1 3/4"W x 1 3/4"D (114mm x 44mm x 44mm)</p> <p>CM-400W: 4 1/2" H x 4 1/2"W x 1 3/4" D (114mm x 114mm x 44mm)</p>

3. APPLICATION

The CM-400 Series is designed to control overhead doors, electric locks, electromagnetic locks, electric strikes and automatic doors. They may also be used for shunting, bypassing alarms, request to exit, timed functions, and many other applications.

They are made for high frequency usage, in an indoor or outdoor environment. Easily visible, they are available with narrow one gang or two gang stainless steel mounting plates.

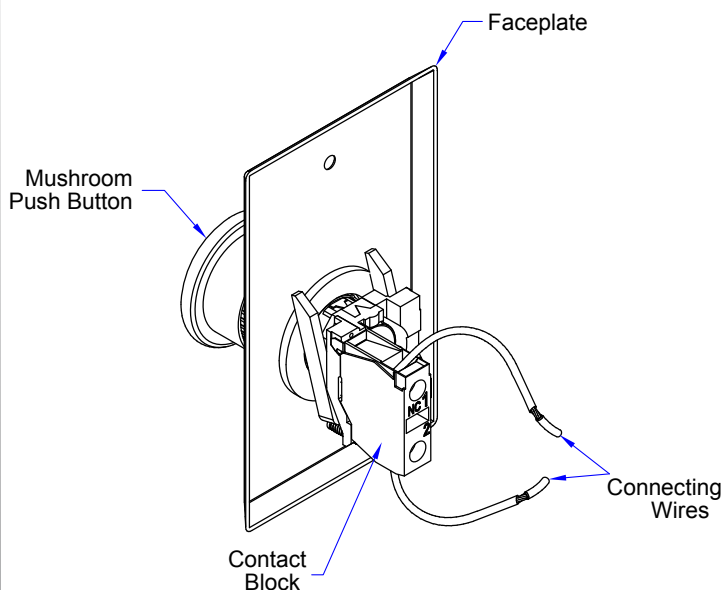
4. INSTALLATION

The CM-400 series can be ordered with either a Normally Open or Normally Closed contact block. Each contact block is color coded. A contact block with a green actuator is Normally Open, while the red actuator is Normally Closed. Both types are available in a Momentary configuration.

The CM-400 series comes with one contact block but can easily have three attached across the back of the button. If the application calls for more than three functions to happen on activation, then each contact block can be stacked with another doubling the number of functions on activation.

Installation is very simple by inserting the wiring into the top and the bottom of the contact block and securing them with the two screw terminals.

Each contact block has its screw terminals numbered so that the provided diagrams can be followed with ease and clarity.



CM-400 BACK VIEW

CM-400 SERIES 1 5/8" PUSHBUTTON, STAINLESS STEEL FACEPLATE

INSTALLATION INSTRUCTIONS

5. WIRING

WIRING LAYOUT & COLOR CODING		
SWITCH TYPE	SPST N.O.	SPST N.C.
COMMON	BLACK	BLACK
NORMALLY OPEN	BLACK	
NORMALLY CLOSED		BLACK

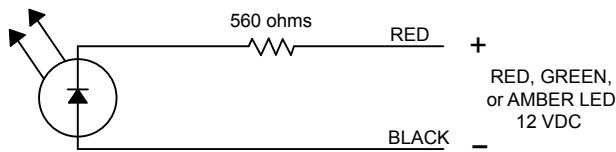


Momentary: When the switch is pressed the current pole will change to the opposite state until released.

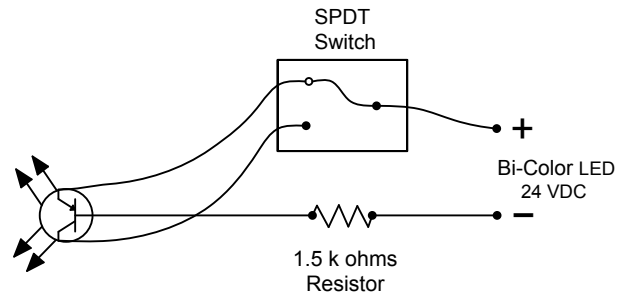
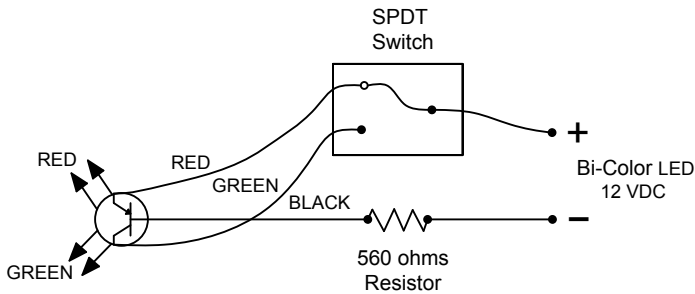
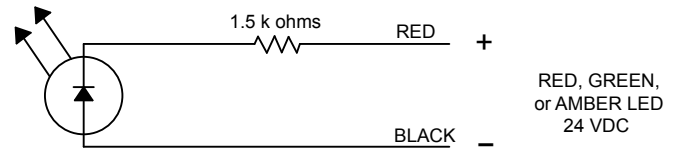
Maintained: When the switch is pressed it will provide the opposite pole until the button is pressed again.

6. OPTIONAL WIRING

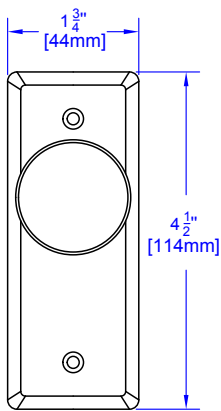
Key Switches may be ordered with optional LED's. These drawings show the various wiring configurations of the LED's.



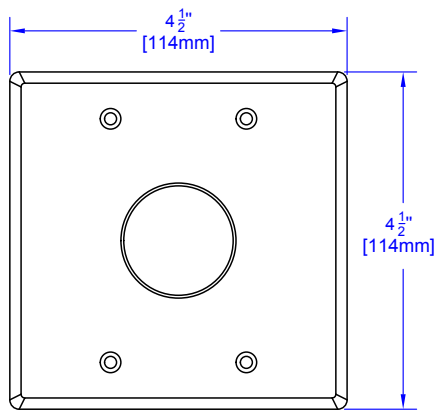
NOTE:
These LEDs are designed for DC Voltage only.



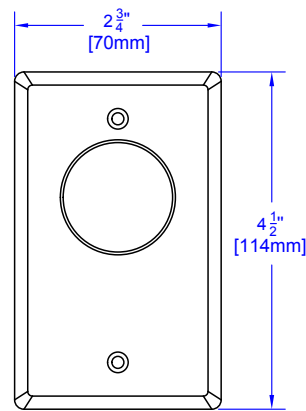
7. CM-400 SERIES FRONT AND SIDE VIEW



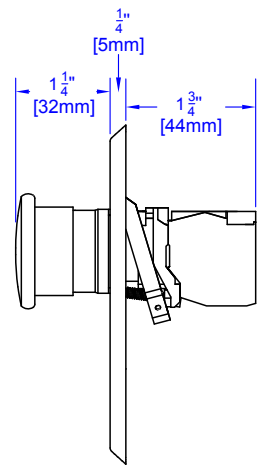
MULLION
FACEPLATE



DOUBLE GANG
FACEPLATE



SINGLE GANG
FACEPLATE

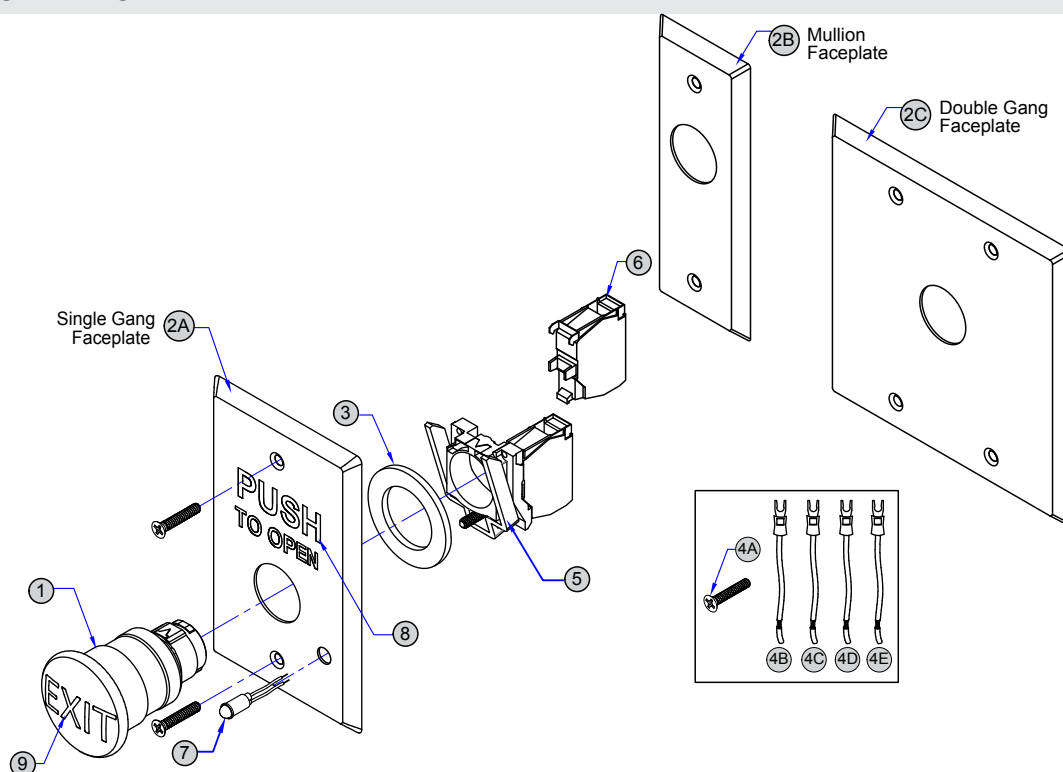


SIDE VIEW

CM-400 SERIES 1 5/8" PUSHBUTTON, STAINLESS STEEL FACEPLATE

INSTALLATION INSTRUCTIONS

8. PARTS INFORMATION



ORDERING INFORMATION FOR REPLACEMENT PARTS


ITEM NUMBER	PART NUMBER	DESCRIPTION
1	60-66C000	RED MOMENTARY MUSHROOM BUTTON (DIA. 1 5/8")
	60-66A005	BLUE MOMENTARY MUSHROOM BUTTON (DIA. 1 5/8")
	60-66E006	GREEN MOMENTARY MUSHROOM BUTTON (DIA. 1 5/8")
	60-66C002	RED MAINTAINED MUSHROOM BUTTON (DIA. 1 5/8")
2	A 60-49H009	STAINLESS STEEL SINGLE GANG FACE PLATE 4 1/2"H X 2 3/4"W X 1 3/4"D (114MM X 70MM X 44MM)
	B 60-49B040	STAINLESS STEEL MULLION FACE PLATE 4 1/2"H X 1 3/4"W X 1 3/4"D (114MM X 44MM X 44MM)
	C 60-49C058	STAINLESS STEEL DOUBLE GANG FACE PLATE 4 1/2"H X 4 1/2"W X 1 3/4"D (114MM X 114MM X 44MM)
3	60-53U001A01	FLAT ZINC WASHER 0.938ID X 1.47OD X .100THK

PARTS KIT

ITEM NUMBER	PART NUMBER	DESCRIPTION
4	FOR N-C & N-O CONTACTS	(A) 6-32 X 3/4 FLAT HEAD PHILLIPS ZINC PLATED SCREW (B) 6" ORANGE WIRE WITH INSULATED SPADE CONNECTOR (C) TWO (2) 6" GREY WIRE WITH INSULATED SPADE CONNECTOR (D) 6" GREY WIRE WITH INSULATED SPADE CONNECTOR
	60-34B024	
	FOR N-O CONTACT	(A) 6-32 X 3/4 FLAT HEAD PHILLIPS ZINC PLATED SCREW (B) 6" BLUE WIRE WITH INSULATED SPADE CONNECTOR (C) 6" GREY WIRE WITH INSULATED SPADE CONNECTOR
	60-34B025	
4	FOR N-C CONTACTS	(A) 6-32 X 3/4 FLAT HEAD PHILLIPS ZINC PLATED SCREW (B) 6" ORANGE WIRE WITH INSULATED SPADE CONNECTOR (C) 6" BLUE WIRE WITH INSULATED SPADE CONNECTOR
	60-34B026	

CM-400 SERIES 1 5/8" PUSHBUTTON, STAINLESS STEEL FACEPLATE

INSTALLATION INSTRUCTIONS

MODEL NUMBERS					
	SINGLE GANG	MULLION	DOUBLE GANG		DESCRIPTION
	CM-400	CM-400N	CM-400W	1	NORMALLY OPEN CONTACT BLOCK
	CM-410	CM-410N	CM-410W	1	NORMALLY CLOSED CONTACT BLOCK
	CM-420	CM-420N	CM-420W	1	NORMALLY OPEN & NORMALLY CLOSED CONTACT BLOCK
ADDITIONAL MUSHROOM PUSH BUTTON OPTIONS					
	CM-420PTE			1	SINGLE GANG FACE PLATE. NORMALLY OPEN & NORMALLY CLOSED CONTACT BLOCK, WITH "PUSH TO EXIT" ENGRAVED ON BUTTON
	CM-450R			1	SINGLE GANG FACE PLATE. NORMALLY OPEN & NORMALLY CLOSED CONTACT BLOCK. MAINTAINED, PUSH/PULL MUSHROOM BUTTON

INDIVIDUAL CONTACT OPTIONS			
ITEM NUMBER	PART NUMBER	QTY	DESCRIPTION
6	60-66C000	1	NORMALLY OPEN CONTACT BLOCK
	60-66C001	1	NORMALLY CLOSED CONTACT BLOCK
	60-66C002	1	NORMALLY OPEN AND NORMALLY CLOSED CONTACT BLOCK

SINGLE LED OPTIONS					DOUBLE LED OPTIONS			
ITEM NUMBER	MODEL NUMBER	QTY	PART NUMBER	DESCRIPTION	MODEL NUMBER	QTY	PART NUMBER	DESCRIPTION
7.	CM-xxxx-7012	1	60-73C008	RED 12V LED	CM-xxxx-70122	2	60-73C008	RED 12V LED
	CM-xxxx-7024	1	60-73C010	RED 24V LED	CM-xxxx-70242	2	60-73C010	RED 24V LED
	CM-xxxx-7112	1	60-73C009	GREEN 12V LED	CM-xxxx-71122	2	60-73C009	GREEN 12V LED
	CM-xxxx-7124	1	60-73C011	GREEN 24V LED	CM-xxxx-71242	2	60-73C011	GREEN 24V LED
	CM-xxxx-7212	1	60-73C009	GREEN 12V LED	CM-xxxx-72122	2	60-73C009	GREEN 12V LED
		1	60-73C008	RED 12V LED		2	60-73C008	RED 12V LED
	CM-xxxx-7224	1	60-73C011	GREEN 24V LED	CM-xxxx-72242	2	60-73C011	GREEN 24V LED
		1	60-73C010	RED 24V LED		2	60-73C010	RED 24V LED
	CM-xxxx-7412	1	60-73C014	AMBER 12V LED	CM-xxxx-74122	2	60-73C014	AMBER 12V LED
	CM-xxxx-7424	1	60-73C012	AMBER 24V LED	CM-xxxx-74242	2	60-73C012	AMBER 24V LED
	CM-xxxx-7612	1	60-66B001-12	BI-COLOR 12V (3 WIRE) LED	CM-xxxx-76122	2	60-66B001-12	BI-COLOR 12V (3 WIRE) LED
CM-xxxx-7624	1	60-66B001-24	BI-COLOR 24V (3 WIRE) LED	CM-xxxx-76242	2	60-66B001-24	BI-COLOR 24V (3 WIRE) LED	

CM-400 SERIES 1 5/8" PUSHBUTTON, STAINLESS STEEL FACEPLATE

INSTALLATION INSTRUCTIONS

FACE PLATE ENGRAVED (IN BLACK) OPTIONS		
ITEM NUMBER	MODEL NUMBER	ENGRAVED GRAPHIC DESCRIPTION
8	CM-xxx/3	PUSH TO OPEN
	CM-xxx/3F	POUSSEZ POUR OUVRIR
	CM-xxx/3S	EMPUJE PARA ABRIR
	CM-xxx/7	PUSH TO EXIT
	CM-xxx/7F	POUSSEZ POUR SORTIR
	CM-xxx/8	PUSH TO LOCK
	CM-xxx/8F	POUSSEZ POUR VERROUILLER
	CM-xxx/8FE	POUSSEZ POUR VERROUILLER / PUSH TO LOCK
	CM-xxx/12	PRESS FOR EMERGENCY ASSISTANCE
	CM-xxx/12F	APPUYER POUR AIDE D'URGENCE
	CM-xxx/12FE	PRESS FOR EMERGENCY ASSISTANCE / APPUYER POUR AIDE D'URGENCE

BUTTON ENGRAVED (IN WHITE) OPTIONS		
ITEM NUMBER	MODEL NUMBER	ENGRAVED GRAPHIC DESCRIPTION
9	CM-xxxE	EXIT
	CM-xxxES	EXIT / SORTIE
	CM-xxxS	SORTIE
	CM-xxxESA	EXIT / SALIDA
	CM-xxxH	WHEELCHAIR LOGO
	CM-xxxSA	SALIDA

COMPATIBLE MOUNTING BOXES OPTION		
ITEM NUMBER	PART NUMBER	DESCRIPTION
	SINGLE GANG	
10	CM-34AL	SURFACE MOUNT BOX WITH STANDARD DEPTH AND THREADED CONDUIT ENTRY. HEAVY DUTY CAST ALUMINUM 2-3/4"H X 4-1/2"W X 1-3/4"D [1 70MM X 44MM X 47MM]
	CM-66	FLUSH BOX & DRESS PLATE, STANDARD DEPTH BOX WITH 7" X 7" DRESS PLATE HEAVY GAUGE STAINLESS STEEL
	CM-31	SLEEVE COVER FOR STANDARD 2 3/4" X 4 1/4" (69MM X 110MM) SURFACE ELECTRICAL BOX. HEAVY GAUGE STAINLESS STEEL
	CM-CPC1	VANDAL AND WEATHER RESISTANT CLEAR LIFT COVER
	CM-34BL	SINGLE GANG BLACK ABS BOX, SURFACE MOUNT, 4 5/8"H X 2 7/8" W X 1 3/4"D (117MM X 73MM X 44MM)
	MULLION FACEPLATE	
	CM-23D	SURFACE BOX WITH EXTRA DEPTH, FLAME AND IMPACT RESISTANT BLACK POLYMER (ABS) 4 1/2"H X 1 3/4" W X 1 1/2"D (117MM X 46MM X 43MM)