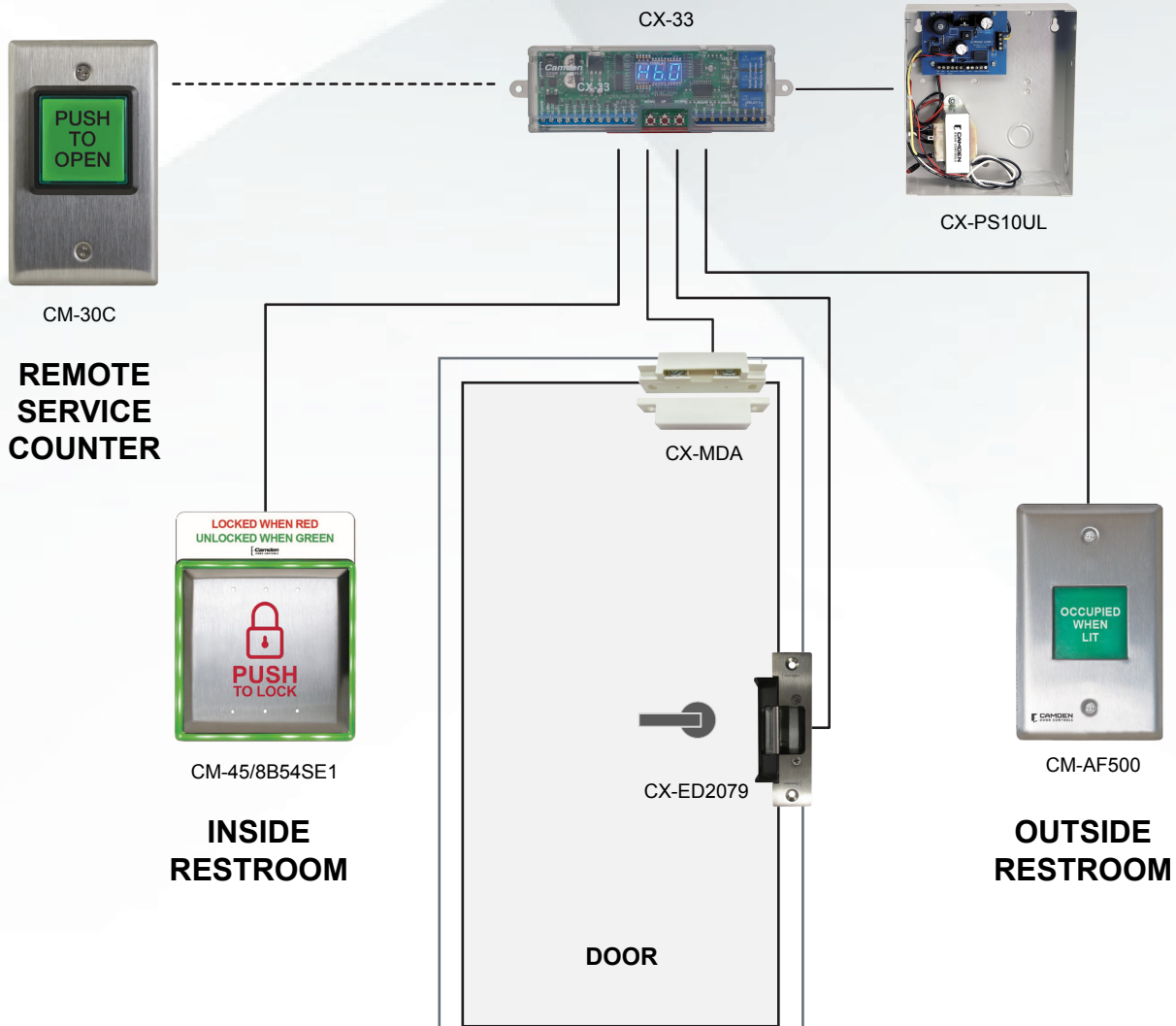




ACCESS CONTROL (SECURITY)

Remote Door Release



Secure Restroom – Wired

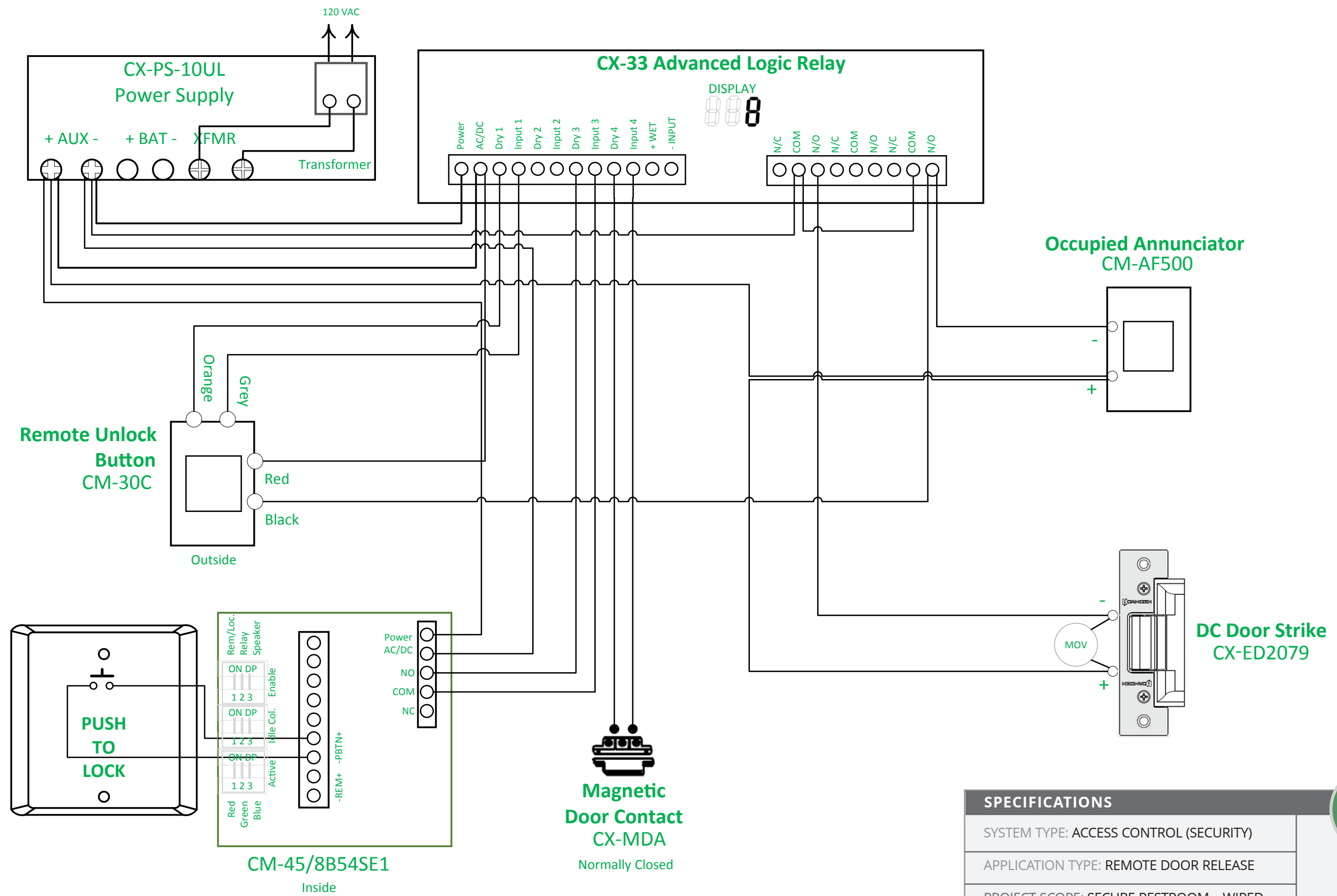
Designed for gas stations and other applications where access to a restroom is controlled. This is a normally locked restroom control system, without an automatic door operator, that is unlocked remotely by an attendant, by pressing a push button.

FEATURES

- A complete application, including all activation, locking and control devices
- 'Occupied' and 'Locked Door' annunciation
- Programmable door hold open time.
- High quality devices with 3-year warranty



Opening New Doors to Innovation, Quality and Support!
1.877.226.3369 / 905.366.3377 • www.camdencontrols.com



SPECIFICATIONS

SYSTEM TYPE: ACCESS CONTROL (SECURITY)

APPLICATION TYPE: REMOTE DOOR RELEASE

PROJECT SCOPE: SECURE RESTROOM - WIRED

DRAWN BY: DAVID ITO FILE NUMBER: 2.2.1.A



Remote Door Release



ACCESS CONTROL (SECURITY)

Remote Door Release



CX-33

Advanced Logic Controller

- 15 different operating modes, with sub-modes
- 5 N/O or N/C inputs, including 'wet' inputs
- Large LED display & on-board button programming



CM-45/8B54SE1

Aura™ Illuminated 'Push to Lock' Switch

- Including surface mount box and sign
- Selectable red/green/blue illumination
- CM-45 Series push plate switch



CM-30C

2" Sq. Illuminated 'Push to Open' Switch

- Single gang switch, with SS faceplate
- Large message label
- Momentary operation



CM-AF500

LED 'Occupied' Annunciator

- Single gang switch, with SS faceplate
- Large message label
- Super-bright LEDs



CX-ED2079

Universal ANSI Electric Strike

- Grade 2, UL 294 compliant
- Dual voltage, 12/24V, AC/DC
- Selectable fail safe/fail secure

1 Amp Power Supply & Cabinet

CX-PS10UL

- 12/24 VDC selectable 1 amp output
- AC power and status indicators
- Short circuit and terminal protection

ADDITIONAL ITEMS

CX-MDA

Magnetic Door Contacts

CM-34D

Single Gang Surface box, ABS for CM-30C and CM-AF500