

CM-75SB Series Surface Box

INSTALLATION INSTRUCTIONS

THIS PACKAGE INCLUDES:

1 X Back Box
6 x Nylon Anchor Plugs 10-14 Screw

2 x Gray Plastic Wire Nut C/W Spring
6 x #14 x 1½" Hex Head Steel Tapping Screws

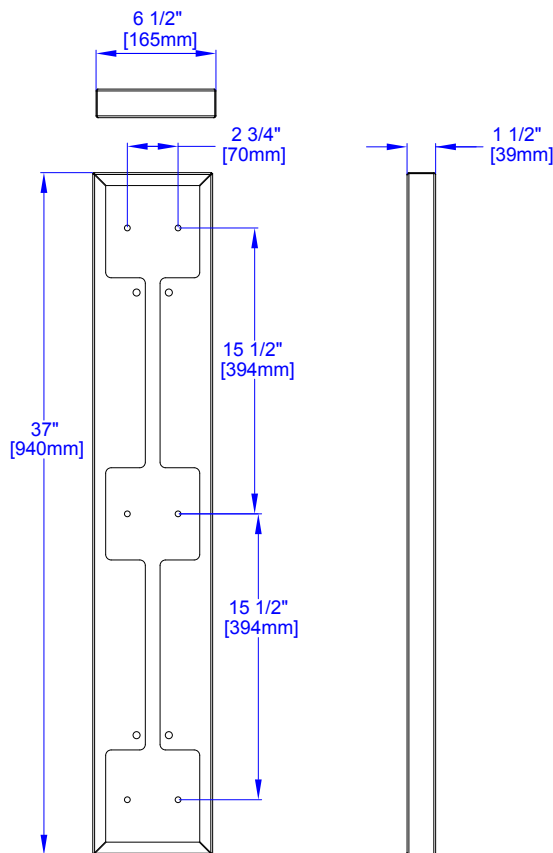
1. GENERAL DESCRIPTION

Camden's CM-75SB Series back box is designed for use with the CM-7536 column switch. CM-75SB is constructed from 16-gauge steel with welded seams and can accept up to ¾" conduit. Ideal for installations where conduit must be used to route wires to the CM-7536 column switch.

2. SPECIFICATIONS

Material	16 gauge steel
Colors	Gray (CM-75SB) and Black (CM-75SB-BK)
Holding Force	33-lb (15kg)
Dimension	37" H x 6½" W x 1½" D (940mm x 165mm x 39mm)

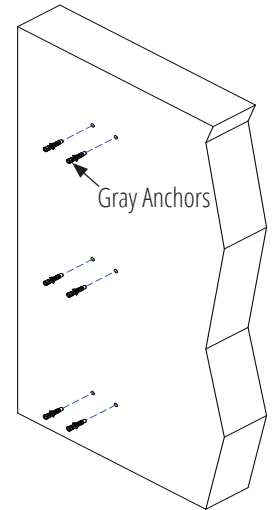
3. DIMENSIONS



4. INSTALLATION

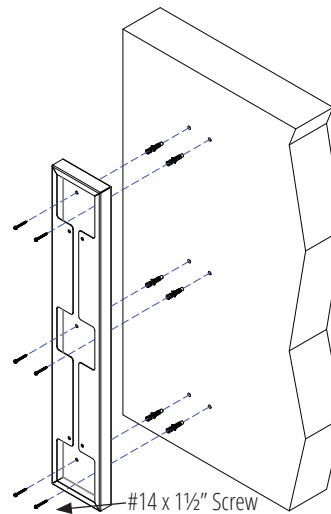
Step 1

- Place the Back Box on a wall.
- Mark the location of the hole.
- Drill holes at the marked location.
- Insert supplied Anchor plugs to the drilled hole.



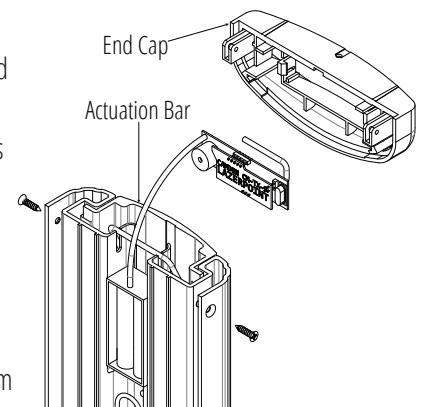
Step 2

- Align holes of the Back Box with the holes drilled.
- Insert #14 x 1½" Hex Head Steel Tapping Screws and tighten them to mount the Back Box on a wall.



Step 3

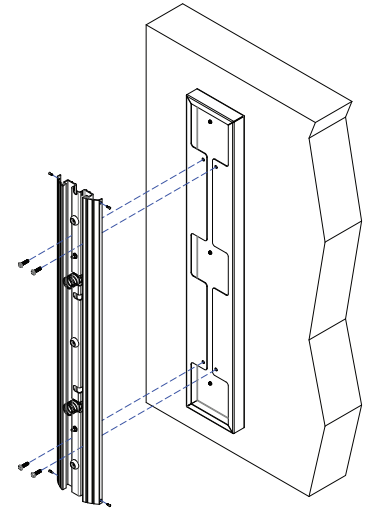
- Take out the pre-assembled unit from the box.
- Remove two Phillips screws holding the top End Cap in place.
- Take out the cap.
- Carefully pull out the actuation bar and place it aside so as to protect it from any surface damage.



CM-75SB Series Surface Box
INSTALLATION INSTRUCTIONS

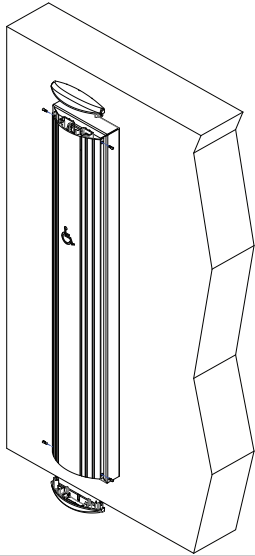
Step 4

- Connect all the wires and secure the connection with Wire Nut.
- Align the column switch holes with the holes in the Back Box.
- Insert #14 - 1/4"-20 stainless steel machine screws (Supplied with column switch) and tighten them to mount the Column Switch on the Back Box

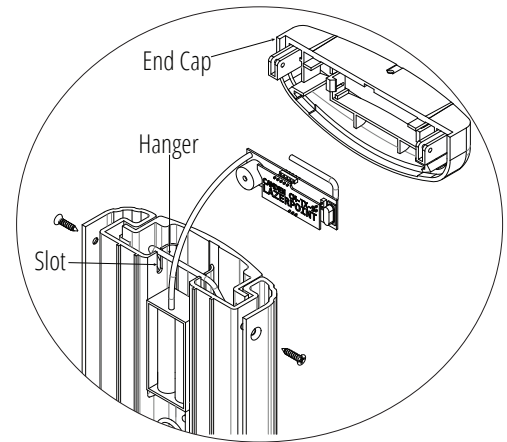


Step 5

- Secure the assembly with the provided mounting screw.
- Re-insert the actuation bar, which was removed in step 3, and finally secure it with an End cap.



Note: When reinstalling the actuation bar, make sure the hanger fits snugly into the slot.



5. SUMMARY

