



# CM-324, CM-325 1 Relay Touchless Switches



The SureWave™ family of touchless switches lead the industry in selection, quality and performance.

CM-324 and CM-325 touchless switches provide economical and reliable door activation command while eliminating the spread of germs and adding convenience.

These hands-free switches feature an adjustable operating range of 1-30", adjustable time delay of 1-5 seconds, and provide superior performance in all ambient lighting conditions.



LINE POWERED



1 RELAY



SHORT RANGE MODEL



### 324 APPLICATION

1 Relay, Line Powered

Ideal for economical door activation where a door or locked status indicator is not required.



### 325 APPLICATION

1 Relay, Short Range

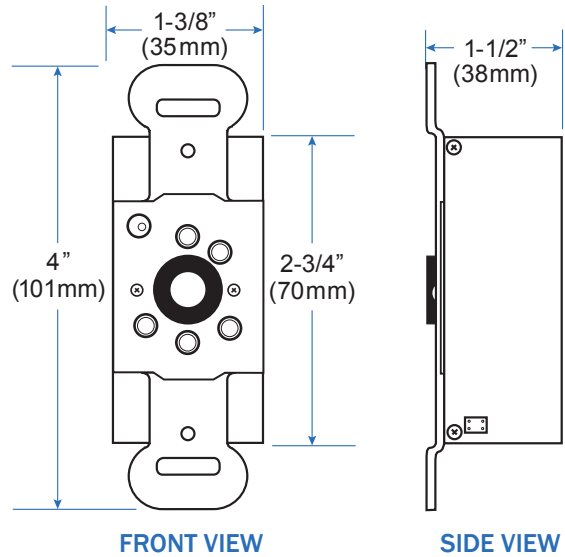
Ideal for short range sensing in confined areas (such as in restrooms) and to resist false activation due to highly reflective surfaces (typically found in health care facilities).



## SPECIFICATIONS

NO. OF SENSORS:	(2) CM-324 (1) CM-325
OPERATING VOLTAGE:	12-24 VOLTS, AC/DC ± 12%
CURRENT DRAW:	60mA
RESPONSE TIME:	100ms
ACTIVATION RANGE:	1" - 3" (25MM - 75MM) MINIMUM 1" - 26" (25MM - 660MM) MAXIMUM
IMMUNITY:	11" (457MM) MIN. FROM REFLECTIVE SURFACE
OPERATING TEMPERATURE:	-4°F TO +153°F (-20°C TO +85°C)
RELAY OPERATING MODES:	PULSE (SENSE) / TOGGLE
RELAY OUTPUT:	(1) FORM 'C' (SPDT)
RELAY CONTACT RATING:	5 AMPS @ 30 VDC
TIME DELAY:	1 OR 5 SECONDS
OUTPUT TYPE:	FAIL SAFE / NON-FAIL SAFE
ELECTRICAL LIFE:	100,000 OPERATIONS

## SWITCH DIMENSIONS



## MODELS

<b>CM-324</b>	Economical Touchless Switch, Line Powered, 1 Relay
<b>CM-325</b>	'Short Range' Touchless Switch, Line Powered, 1 Relay

## OPTIONAL FACEPLATE MATERIAL (Supplied Black Polycarbonate Standard)

<b>S</b>	Stainless Steel Faceplate
----------	---------------------------

## OPTIONAL FACEPLATE GRAPHICS

(Supplied Blank Standard)



Add 'F' to graphic option for French language

## OPTIONAL FACEPLATE SIZE (Supplied Single Gang Standard)

 <p><b>Single Gang</b> Compatible surface mount box CM-34BL</p>	 <p><b>/N - Narrow</b> Compatible narrow jamb surface mount box CM-23D</p>
 <p><b>/W - Double Gang</b> Compatible surface mounting box CM-43CBLA</p>	 <p><b>/R - 6" Round</b> Stainless steel only. Indoor use only. Compatible surface box CM-69SER</p>



For a complete list of all SureWave™ Touchless Switch Kits, please visit [www.camdencontrols.com](http://www.camdencontrols.com)

**CAMDEN DOOR CONTROLS** Opening New Doors to Innovation, Quality and Support!

5502 Timberlea Blvd. Mississauga, ON Canada L4W 2T7 • Toll Free: 1 877 226-3369 (CAMDEN9)  
Tel: (905) 366-3377 • Fax: (905) 366-3378 • E-mail: [info@camdencontrols.com](mailto:info@camdencontrols.com) • [www.camdencontrols.com](http://www.camdencontrols.com)



Part #: MKTG-LIT-SP-CM-324-325R1