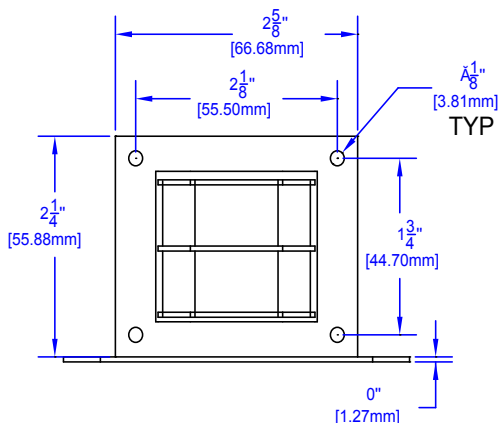
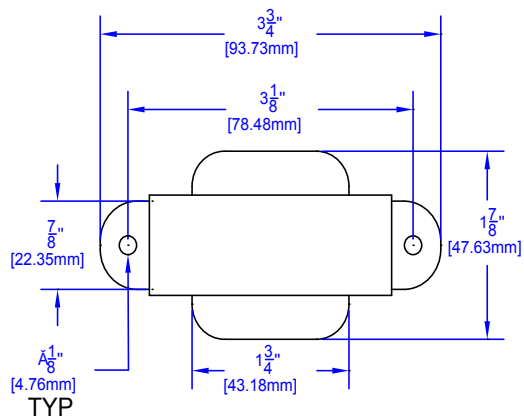


CX-TRX-5024 Transformer

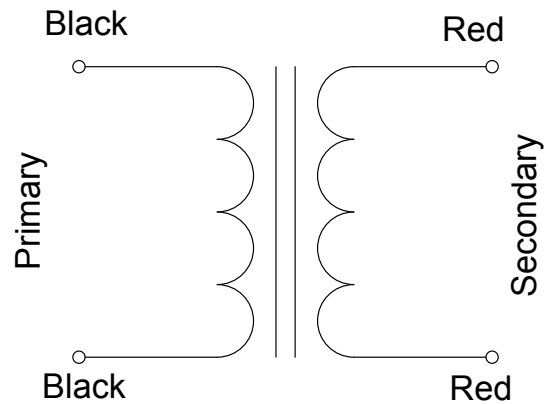
INSTALLATION INSTRUCTIONS

FEATURES

- Economical single primary 115 VAC, 60 Hz.
Or 117 VAC, 50/60 Hz.
- All secondaries center tapped, vac (RMS).
- Open style, channel bracket, two-hole chassis mount.
- Minimum 6" long leads.
- Dual bobbin design -no electrostatics shield required.
- Class B insulation (130 degrees, C)
- Hi-post test of 2,000 V RMS.
- UL Listed Class 2.
- CSA Certified.



Transformer Schematic



OPEN STYLE FILAMENT & L.V. RECTIFIER USE
TRANSFORMERS

