

CM-450RL-7724-CPC Series 1 5/8" Pushbutton, Stainless Steel Faceplate

INSTALLATION INSTRUCTIONS

THIS PACKAGE INCLUDES:

- (1) 1 5/8" (40 mm) diameter button and (1) Vandal resistant free-spinning, heavy-duty button
- (1) Vandal resistant 18-gauge stainless steel faceplate
- (1) Normally open and/or Normally closed Contact block



CM-450RL-7724-CPC

1. GENERAL DESCRIPTION

The CM-450RL-7724-CPC series comes in a Stainless Steel Single Gang Faceplate. Graphic Options can be added to either the faceplate or the button face. An assortment of back boxes is also available for each style.

2. SPECIFICATIONS

Voltage	12-24V AC/DC
Contact Rating	6A @ 30V AC/DC
Switch Type	Momentary & Maintained
Standard Finish	US32/C32D
Dimensions	CM-450RL-7724-CPC 6" H x 3 1/2"W x 3 1/4"D [149mm x 89mm x 83mm]

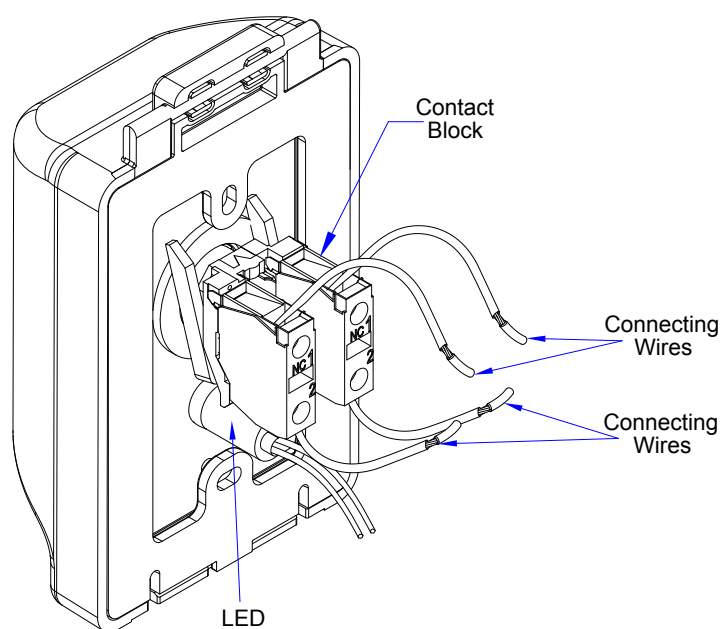
3. INSTALLATION

The CM-450RL-7724-CPC Contact block comes with a normally open and normally closed contact block. Each contact block is color coded. A contact block with a green actuator is Normally Open, where the red actuator is Normally Closed.

The CM-450RL-7724-CPC can easily have three attached across the back of the button. If the application calls for more than three functions to happen on activation, then each contact block can be stacked with another doubling the number of functions on activation.

Installation is very simple by inserting the wiring into the top and the bottom of the contact block and securing them with the two screw terminals.

Each contact block has its screw terminals numbered so that the provided diagrams can be followed with ease and clarity.



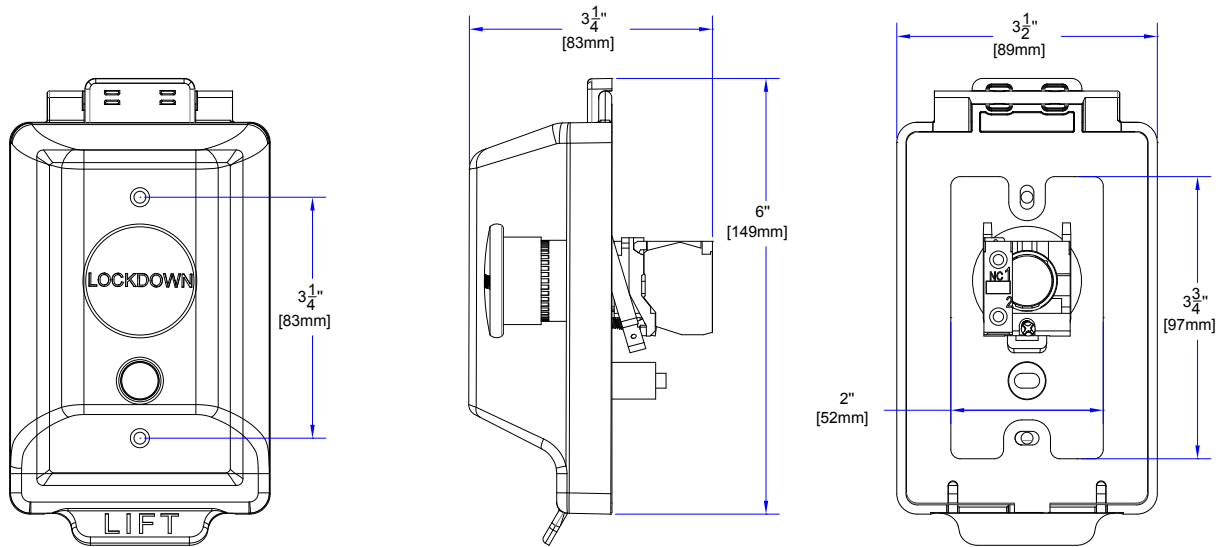
CM-450RL-7724-CPC BACK VIEW

CM-450RL-7724-CPC SERIES 1 5/8" PUSHBUTTON, STAINLESS STEEL FACEPLATE

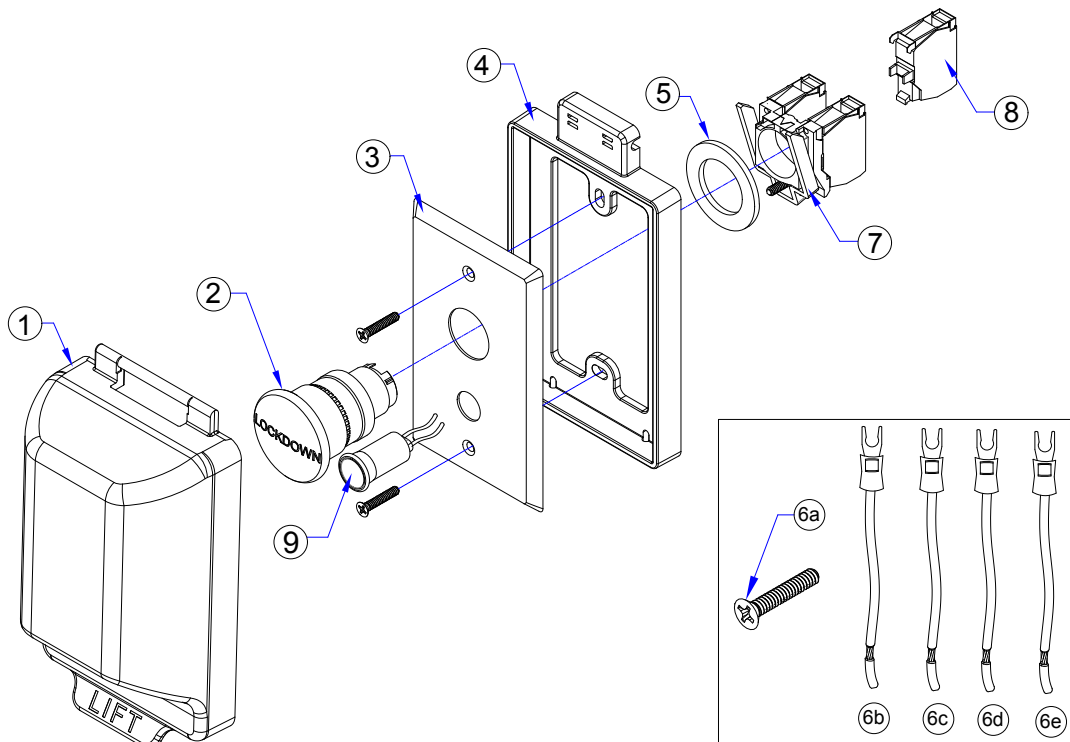
INSTALLATION INSTRUCTIONS

4. WIRING

6. CM-450 SERIES FRONT AND SIDE VIEW



7. PARTS INFORMATION



CM-450RL-7724-CPC SERIES 1 5/8" PUSHBUTTON, STAINLESS STEEL FACEPLATE

INSTALLATION INSTRUCTIONS

ORDERING INFORMATION FOR REPLACEMENT PARTS

ITEM NUMBER	PART NUMBER	DESCRIPTION
1.	60-40D018	CM-CPC1 Clear Plastic Cover Molded Screened "LIFT
2.	60-66A002-LD	RED MOMENTARY MUSHROOM BUTTON (DIA. 1 5/8") WITH "LOCKDOWN" Lasered
3.	60-49H009	STAINLESS STEEL SINGLE GANG FACE PLATE 4 1/2"H x 2 3/4"W x 1 3/4"D (114mm x 70mm x 44mm))
4.	60-66A002	CLEAR PLASTIC WALL PLATE MOLDED
5.	50-53U001A01	FLAT ZINC WASHER 0.938ID x 1.47OD x 0.100TH

PARTS KIT

ITEM NUMBER	PART NUMBER	DESCRIPTION
6.	FOR N-C & N-O CONTACTS	(A) 6-32 x 3/4 FLAT HEAD PHILLIPS ZINC PLATED SCREW (B) 6" ORANGE WIRE WITH INSULATED SPADE CONNECTOR (C) TWO (2) 6" GREY WIRE WITH INSULATED SPADE CONNECTORS (D) 6" BLUE WIRE WITH INSULATED SPADE CONNECTOR
	60-34B024	
	FOR N-O CONTACT	(A) 6-32 x 3/4 FLAT HEAD PHILLIPS ZINC PLATED SCREW (B) 6" BLUE WIRE WITH INSULATED SPADE CONNECTOR (C) 6" GREY WIRE WITH INSULATED SPADE CONNECTOR
	60-34B025	
	FOR N-C CONTACTS	(A) 6-32 x 3/4 FLAT HEAD PHILLIPS ZINC PLATED SCREW (B) 6" ORANGE WIRE WITH INSULATED SPADE CONNECTOR (C) 6" GREY WIRE WITH INSULATED SPADE CONNECTOR
	60-34B026	

MODEL NUMBER

ITEM NUMBER	MODEL NUMBER	QTY	DESCRIPTION
7.	CM-450RL-7724-CPC	1	NORMALLY OPEN & NORMALLY CLOSED CONTACT BLOCK

INDIVIDUAL CONTACT OPTIONS

ITEM NUMBER	PART NUMBER	QTY	DESCRIPTION
8.	CM-4000/60N	1	NORMALLY OPEN CONTACT BLOCK
	CM-4000/61N	1	NORMALLY CLOSED CONTACT BLOCK
ITEM NUMBER	PART NUMBER	QTY	DESCRIPTION
9.	60-82B155	1	CM-7724 RED FLASHING 1/2" 24 VOLT LED