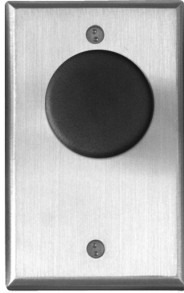




CM-4000/5000/7000/8000 SERIES

'REQUEST TO EXIT' SWITCHES WITH PNEUMATIC TIMERS



CM-4085



CM-5085PTE



CM-7085



CM-8085RE

FEATURES

- EASY TO OPERATE RED, GREEN AND BLUE PUSH BUTTONS
CM-4000 SERIES - 1 5/8" MUSHROOM BUTTON
CM-5000 SERIES - 2 3/8" MUSHROOM BUTTON
CM-7000 SERIES - 1" RECESSED BUTTON
CM-8000 SERIES - 1" EXTENDED BUTTON
- BUILT-IN ADJUSTABLE 1 TO 60 SECOND PNEUMATIC TIME DELAY
- HEAVY DUTY 1/4" THICK ALUMINUM FACEPLATE
- SINGLE GANG AND NARROW FACEPLATE MODELS
- VANDAL AND TAMPER RESISTANT
- ENGRAVED AND PAINT FILLED GRAPHICS ON BUTTON
- DPST (FORM Z) CONTACTS
- 6 AMPS @ 24V DC CONTACTS

DESCRIPTION

Camden Door Controls offers the widest range of high quality, feature rich and affordable pneumatic 'Request to Exit' switches in the industry. All switches feature vandal resistant 1/4" thick brushed aluminum faceplates in narrow (1 3/4") or single gang (2 3/4") widths. Optional duranodic finish (US 40) is also available.

Pneumatic time delays require no power to operate. The timing range is 1 – 60 seconds, and is easily adjusted by a thumbscrew.

CM-4000 and 5000 Series mushroom push switches are heavy duty push buttons specially designed and manufactured to meet the stringent demands of exit control. No set screws are required, due to the bayonet interlocking of the modular assembly. Buttons are free spinning, for additional protection against vandalism.

CM-7000 and 8000 Series low profile exit switches are vandal resistant, and designed to offer dependable service in high traffic applications. The 1" buttons are easily activated and protected by a metal collar.

APPLICATION

Camden Door Controls 'Request To Exit' switches with built in pneumatic time delay are ADA (American Disabilities Act) compliant and are designed to de-energize electric locking devices (such as magnetic locks) on egress doors without reliance upon electrical power for their operation. The mechanical pneumatic timer is also adjustable, allowing flexible time control as required in the field.

Select models comply with UL 294 (standard for access control systems) and are designed for use in access control installations meeting IBC (International Building Code) requirements.

KEY SWITCHES

PUSH BUTTONS

MOUNTING OPTIONS

RF CONTROLS

HANDS-FREE SWITCHES

SPECIAL PURPOSE SWITCHES

KEYPADS

ACCESSORIES

'REQUEST TO EXIT' SWITCHES WITH PNEUMATIC TIMERS

SPECIFICATIONS

OPERATING FORCE:	MAXIMUM 8 OZ.
SWITCH RATING:	6 AMPS @ 24V DC
TIME RANGE:	1 - 60 SEC. + - 15%
TEMPERATURE RANGE:	13° TO 158° F (-25° C TO 75° C)
REPEAT ACCURACY:	+ - 10%
TIMER LIFE:	1,000,000 OPERATIONS
CONTACT TYPE:	(1) NC, (1) NO

ORDER INFORMATION

MODEL DESCRIPTION

1 5/8" MUSHROOM BUTTON

CM-4185	BLANK, (JAMB WIDTH) SPRING RETURN PNEUMATIC
CM-4185PTE*	'PUSH TO EXIT', NARROW (JAMB WIDTH) SPRING RETURN PNEUMATIC TIMER, 1-60 SECOND
CM-4085	BLANK, SINGLE GANG SPRING RETURN PNEUMATIC TIMER, 1-60 SECOND
CM-4085PTE*	'PUSH TO EXIT', SINGLE GANG SPRING RETURN PNEUMATIC TIMER, 1-60 SECOND

2 3/8" MUSHROOM BUTTON

CM-5185	BLANK, NARROW (JAMB WIDTH) SPRING RETURN PNEUMATIC TIMER, 1-60 SECOND
CM-5185PTE*	'PUSH TO EXIT', NARROW (JAMB WIDTH) SPRING RETURN PNEUMATIC TIMER, 1-60 SECOND
CM-5085	BLANK, SINGLE GANG SPRING RETURN PNEUMATIC TIMER, 1-60 SECOND
CM-5085PTE*	'PUSH TO EXIT', SINGLE GANG SPRING RETURN PNEUMATIC TIMER, 1-60 SECOND

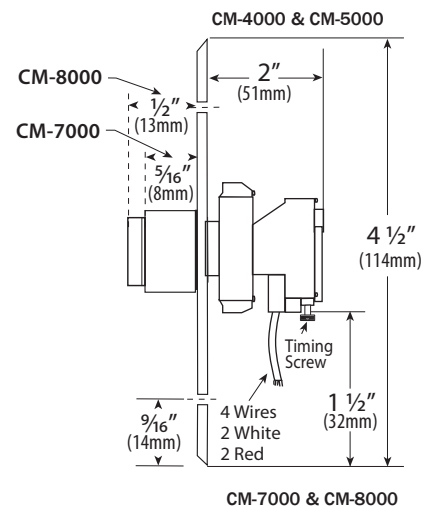
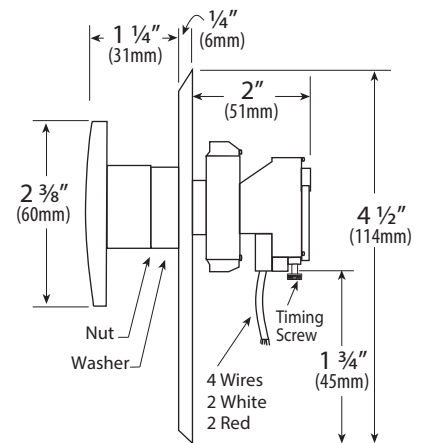
1" RECESSED BUTTON

CM-7085	BLANK, SINGLE GANG SPRING RETURN PNEUMATIC TIMER, 1-60 SECOND
CM-7185	BLANK, NARROW (JAMB WIDTH) SPRING RETURN PNEUMATIC TIMER, 1-60 SECOND

1" EXTENDED BUTTON

CM-8085	BLANK, SINGLE GANG SPRING RETURN PNEUMATIC TIMER, 1-60 SECOND
CM-8185	BLANK, NARROW (JAMB WIDTH) SPRING RETURN PNEUMATIC TIMER, 1-60 SECOND

* NOTE:
UL 294 STANDARD



FOR BUTTON GRAPHICS, ADD:

(ADD SUFFIX TO ANY 'BLANK' SWITCH MODEL ABOVE)

- 'E' 'EXIT' ENGRAVED, PAINT FILLED
- 'H' 'WHEELCHAIR' SYMBOL ENGRAVED, PAINT FILLED
- 'S' 'SORTIE' ENGRAVED, PAINT FILLED
- 'ES' 'EXIT /SORTIE' ENGRAVED, PAINT FILLED
- 'SA' 'SALIDA' ENGRAVED, PAINT FILLED
- 'ESA' 'EXIT /SALIDA' ENGRAVED, PAINT FILLED

FOR BUTTON COLOR, ADD:

(ADD SUFFIX TO SWITCH MODEL ABOVE. IF NOT SELECTED, RED WILL BE SUPPLIED)

- 'R' RED BUTTON (ALL SERIES)
- 'G' GREEN BUTTON (ALL SERIES)
- 'B' BLUE BUTTON (CM-4000/5000 SERIES)

FACEPLATE FINISHES:

'BZ' DARK BRONZE FINISH (BHMA 710, 313AN)

ADDITIONAL CONTACT:

- CM-XXX-4000/60 ADDITIONAL N/O CIRCUIT
- CM-XXX-4000/61 ADDITIONAL N/C CIRCUIT