

Door Activation Devices

# CM-25, CM-26CB, & CM-35 Series Push Plate Switches

## INSTALLATION INSTRUCTIONS

### THIS PACKAGE INCLUDES:

- (1) "All Active" Push Plate
- (1) Parts kit



### 1. GENERAL DESCRIPTION

Camden Door Controls CM-25 (with concealed screws), CM-26CB (with exposed screws), and CM-35 Series 'all active' push plate switches are heavy-duty, ADA compliant door activation switches. The narrow rectangular faceplates are stainless steel or aluminum, and the assembly is designed for easy installation directly on a door jamb, architectural frame or on a narrow surface box. The switch requires minimal frame cut out, is rated 3 Amp @ 30 VDC and provides virtually silent operation.

### 2. SPECIFICATIONS

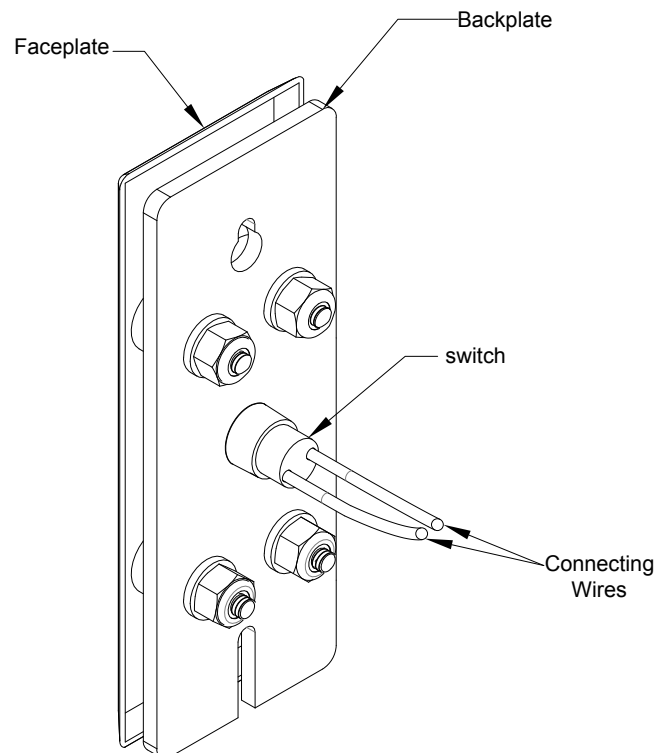
Voltage	12/24V AC/DC
Contact Type	N/O SPST
Switch Type	Momentary
Contact Rating	3A @ 30V DC
Temp. Range	-40°F to 140°F (-40°C to 60°C)
Std. Finish	CM-25: US32/C32D CM-26CB: Blue Powder Coated CM-35N/CM-35: US32/C32D
Dimensions	<b>CM-25/CM-26 SERIES:</b> 4 1/2" H x 1 3/4" W x 1 1/2" D (114mm x 44mm x 38mm)  <b>CM-35 NARROW SERIES:</b> 4 1/2" H x 2 1/8" W x 1 1/2" D (114mm x 54mm x 38mm)  <b>CM-35 SERIES:</b> 4 1/2" H x 2 3/4" W x 1 1/2" D (114mm x 70mm x 38mm)

### 3. APPLICATION

Camden 'all-active' push plate switches are designed for areas where an easy-to activate, high-visibility switch is desired. Ideal for high-traffic areas, hospitals, wheelchair access, seniors' residences, etc. They can be surface or flush mounted.

Camden 'all-active' push plate switches are designed to control electric strikes, electromagnetic locks and automatic doors. They may also be used for shunting, bypassing alarms, request to exit, timed functions and many other applications.

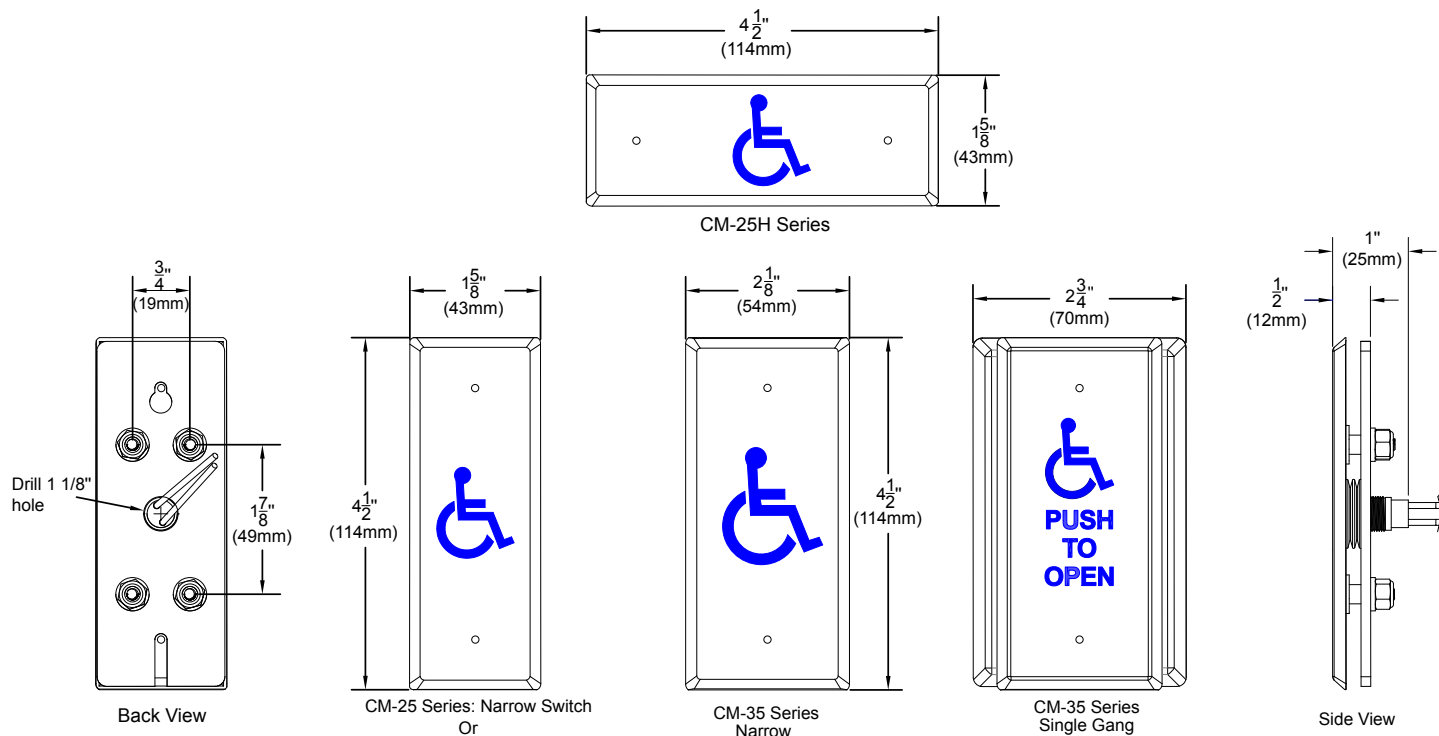
The switches are made for high frequency usage for both indoor and outdoor environments. Camden switches are versatile and can be supplied in various configurations and finishes to suit any commercial, industrial or institutional application.



# CM-25, CM-26CB, & CM-35 Series Push Plate Switches

INSTALLATION INSTRUCTIONS

## 4. DIMENSIONS



## 5. INSTALLATION AND WIRING

### For CM-25 and CM-35

#### Mounting Options:

- The CM-25 and CM-35 can be installed using either flush or surface mounting methods.

#### Selecting a Surface Mount Enclosure:

- Refer to the "Parts and Information" section (Page 5) to choose a suitable Enclosure.

#### Installation Process:

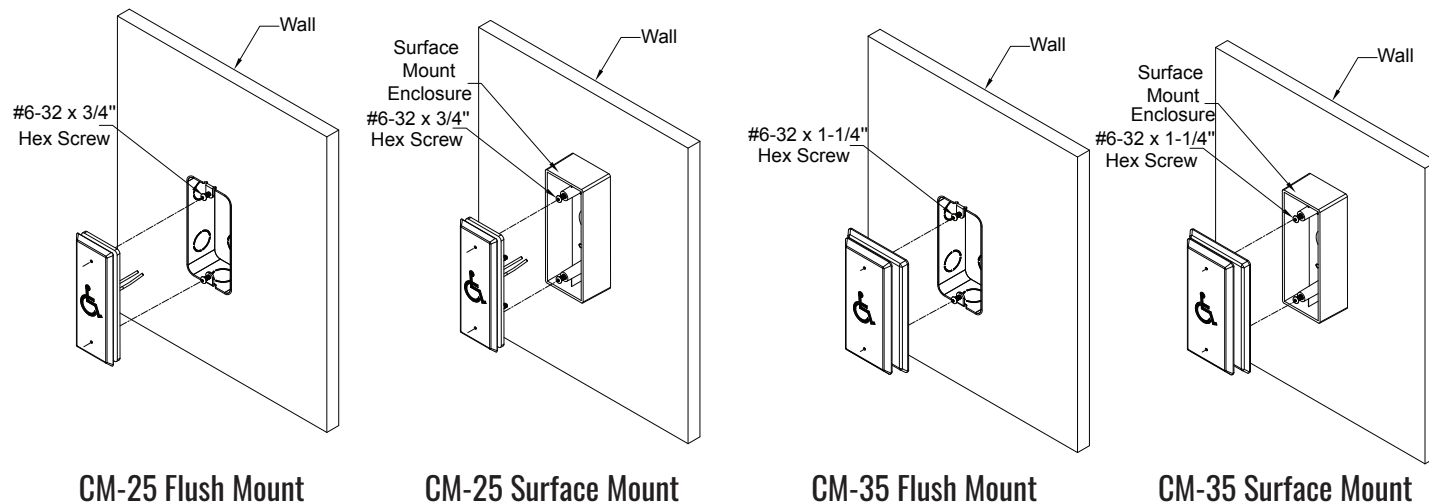
- Use two #6-32 x 3/4" screws (CM-25)/ #6-32 x 1-1/4" screws (CM-35) for mounting
- Insert the screws into the designated mounting holes, but do not fully tighten them at this stage.

#### Attaching the Switch:

- Align the CM-25/CM-35 so that the screw heads slide into the slots on the back of the switch.
- Once the CM-25/CM-35 is in position, proceed to secure it in place.

#### Securing the Switch:

- Insert the hex key into the holes on the faceplate to access and tighten the screws.



**For CM-26**

**Mounting Options:**

- The CM-26 offers flexible installation methods with options for either flush or surface mounting.
- Refer to the "Parts and Information" section (Page 5) to choose a suitable Enclosure.

**Preparing for Installation:**

- Begin by removing the #6-32 x 3/16" screws from the faceplate. These will be used later to reattach the faceplate after mounting the back plate.

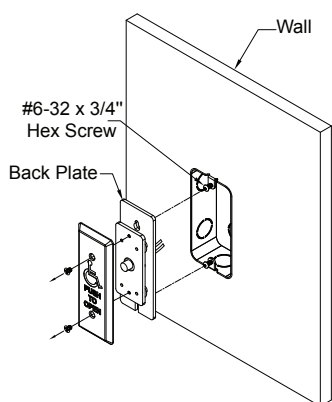
**Mounting the Back Plate:**

- The CM-26's back plate is mounted using #6-32 x 3/4" Hex Screws.

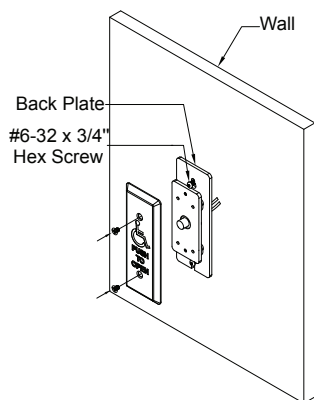
- Position the back plate against the mounting surface or enclosure and secure it in place with the #6-32 x 3/4" Hex Screws. Ensure these screws are tightened appropriately.

**Reattaching the Faceplate:**

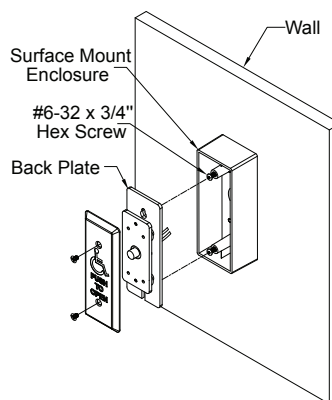
- Once the back plate is securely mounted, align the faceplate with the back plate.
- Reattach the faceplate by inserting and tightening the #6-32 x 3/16" screws removed earlier.



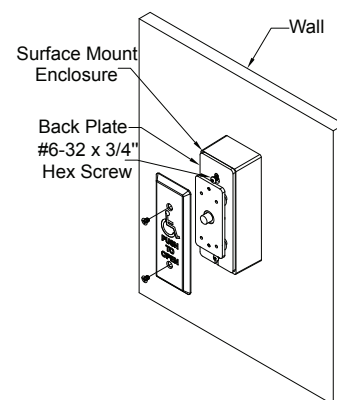
CM-26CBK Flush Mount



CM-26CBK Flush Mount



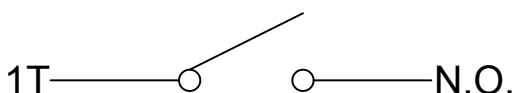
CM-26CBK Surface Mount



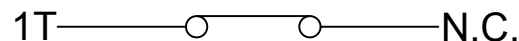
CM-26CBK Surface Mount

**WIRING**

Switch is not pressed  
**SPST**



Switch is pressed  
**SPST**



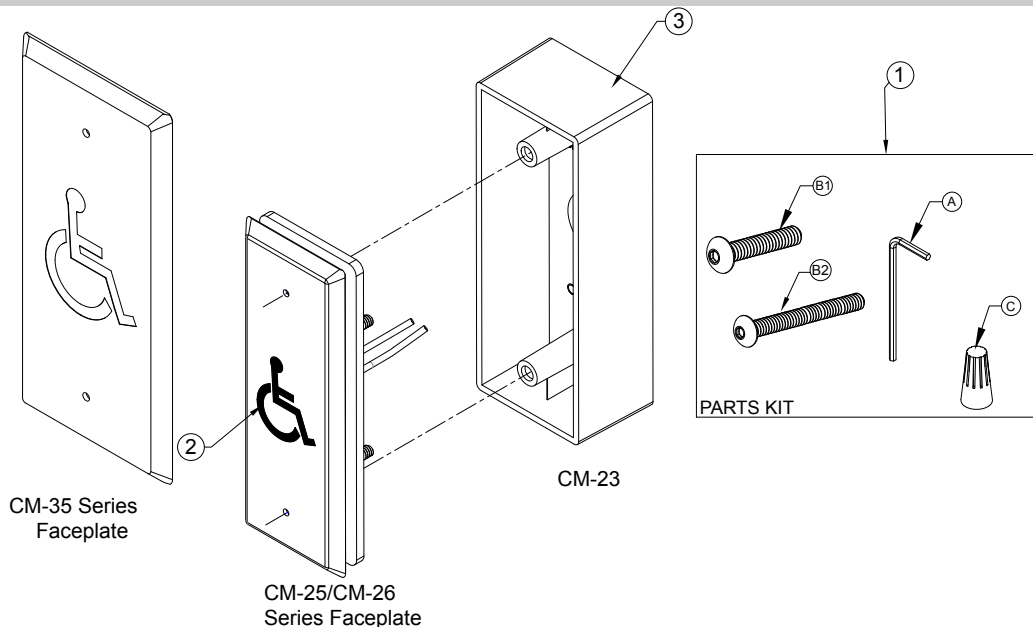
Momentary: When the switch is pressed, the current pole will change to the opposite state until released

WIRING LAYOUT & COLOR CODING		
SWITCH TYPE	SPST N.O.	SPST N.C.
COMMON	BLACK	BLACK
NORMALLY OPEN	BLACK	
NORMALLY CLOSED		BLACK

# CM-25, CM-26CB, & CM-35 Series Push Plate Switches

INSTALLATION INSTRUCTIONS

## 6. PARTS INFORMATION



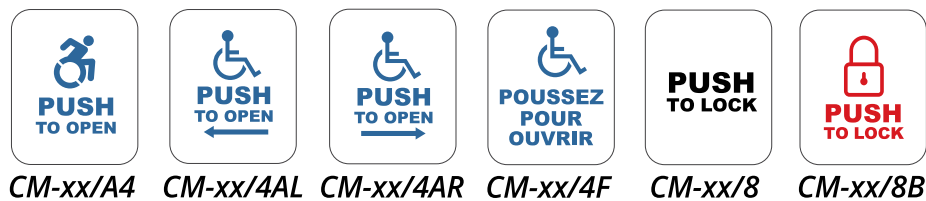
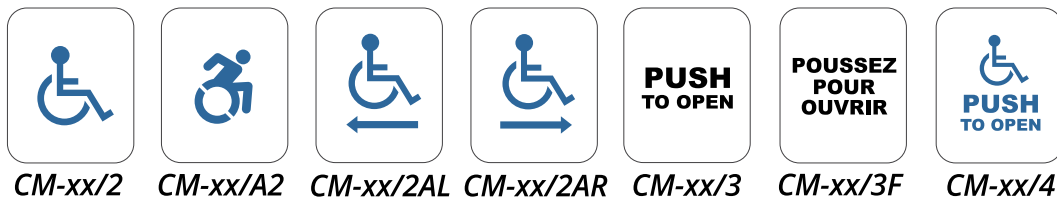
MODEL NUMBERS		
MODEL NUMBER	DESCRIPTION	
<b>CM-25 SERIES</b>		
CM-25	NARROW PUSH PLATE SWITCH, STAINLESS STEEL FINISH, VERTICAL MOUNTING	
CM-25/H	NARROW PUSH PLATE SWITCH, STAINLESS STEEL FINISH, HORIZONTAL MOUNTING	
<b>CM-26 SERIES</b>		
CM-26CB	NARROW PUSH PLATE SWITCH, BLUE FINISH, VERTICAL MOUNTING	
<b>CM-35 SERIES</b>		
CM-35	PUSH PLATE SWITCH WITH SINGLE GANG MOUNTING, OBC COMPLIANT	
CM-35/H	PUSH PLATE SWITCH WITH SINGLE GANG MOUNTING, OBC COMPLIANT	
PARTS KIT		
ITEM NUMBER	PART NUMBER	DESCRIPTION
	FOR CM-25 & CM-26 SERIES	
1	60-34B040	(A) SMALL HEX KEY 5/64" SHORT ARM (B1) 6-32 X 3/4 S/S BUTT HEAD SOCKET CAP SCREW (C) GREY PLASTIC WIRE NUT C/W SPRING
	FOR CM-35 SERIES	
	60-34B047	(A) SMALL HEX KEY 5/64" SHORT ARM (B2) 6-32 X 1-1/4 S/S BUTT HEAD SOCKET CAP SCREW (C) GREY PLASTIC WIRE NUT C/W SPRING
FACE PLATE GRAPHIC OPTIONS		
ITEM NUMBER	PART NUMBER	DESCRIPTION
2	CM-XX/1	BLANK STAINLESS STEEL FACEPLATE
	CM-XX/2	WHEELCHAIR LOGO IN BLUE
	CM-XX/A2	FACEPLATE WITH MAN IN ACTION LOGO IN BLUE

# CM-25, CM-26CB, & CM-35 Series Push Plate Switches

INSTALLATION INSTRUCTIONS

ITEM NUMBER	PART NUMBER	DESCRIPTION
2	CM-XX/2AL	WHEELCHAIR LOGO WITH ARROW POINTING LEFT IN BLUE
	CM-XX/2AR	WHEELCHAIR LOGO WITH ARROW POINTING RIGHT IN BLUE
	CM-XX/3	"PUSH TO OPEN" GRAPHICS IN BLACK
	CM-XX/3F	"POUSSEZ POUR OUVRIR" GRAPHICS IN BLACK
	CM-XX/4	WHEELCHAIR LOGO WITH "PUSH TO OPEN" LOGO IN BLUE
	CM-XX/A4	MAN IN ACTION LOGO WITH 'PUSH TO OPEN' LOGO IN BLUE
	CM-XX/4F	WHEEL CHAIR LOGO WITH "POUSSEZ POUR OUVRIR" LOGO IN BLUE
	CM-XX/4AL	WHEELCHAIR LOGO WITH " PUSH TO OPEN AND ARROW POINTING TO THE LEFT" LOGO IN BLUE
	CM-XX/4AR	WHEELCHAIR LOGO WITH " PUSH TO OPEN AND ARROW POINTING TO THE RIGHT" LOGO IN BLUE
	CM-XX/8	"PUSH TO LOCK" IN BLACK
	CM-XX/8B	LOCK SYMBOL IN RED WITH " PUSH TO LOCK"

**NOTE:** All CM-26CB series blue switches have white graphics



## COMPATIBLE MOUNTING BOXES

ITEM NUMBER	PART NUMBER	DESCRIPTION	
	FOR CM-35		
3	CM-34AL	SINGLE GANG ALUMINUM BOX 2 7/8"W x 4 5/8"H x 2"D (72mm x 117mm x 51mm)	
	CM-66	FLUSH BOX & DRESS PLATE, STANDARD DEPTH BOX WITH 7" x 7" DRESS PLATE HEAVY GAUGE STAINLESS STEEL	
	CM-31	SLEEVE COVER FOR STANDARD 2 3/4" X 4 1/4" (69mm X 110mm) SURFACE ELECTRICAL BOX. HEAVY GAUGE STAINLESS STEEL	
	CM-CPC1	VANDAL AND WEATHER RESISTANT CLEAR LIFT COVER	
	CM-34BL	SINGLE GANG BLACK ABS BOX, SURFACE MOUNT 2 7/8" W X 4 5/8"H x 1 3/4"D (73mm x 117mm x 44mm)	
	<b>FOR CM-25 &amp; CM-26CB</b>		<b>DESCRIPTION</b>
	CM-23	SURFACE BOX WITH EXTRA DEPTH, FLAME AND IMPACT RESISTANT BLACK POLYMER (ABS) 1 3/4" W X 4 1/2"H x 1 1/4"D (44mm x 114mm x 32mm)	
	CM-23D	SURFACE BOX WITH EXTRA DEPTH, FLAME AND IMPACT RESISTANT BLACK POLYMER (ABS) 1 3/4" W X 4 1/2"H x 1 1/2"D (44mm x 114mm x 38mm)	



Opening New Doors to Innovation, Quality and Support!

Call: 1.877.226.3369 / 905.366.3377  
Visit: [www.camdencontrols.com](http://www.camdencontrols.com)



File: CM-25, CM-26CB, & CM-35 Series Push Plate Switches  
Rev.: 05 June 2024  
Part No.: 40-82B279