

CI-3BX, CI-3BXL Push Button Control Station Installation Instructions

These push button control stations are designed for use in factories, warehouses, and other industrial applications. These units are UL/CSA listed, and NEMA 4 rated for use in wet/outdoor environments.

They provide 3 buttons, Open / Close / Stop. Switch contacts are rated 3 Amps @ 240 VAC.

The CI-3BXL has a key lockout.



INSTALLATION

The electrician installing the unit should provide a UL listed watertight hub or fitting for UL type "4" rating.

CAUTION should be taken when connecting wires in conduit housing to be sure there is ample clearance inside the box so as not to interfere with the insertion of the switches when the front cover plate is installed.

KEY LOCKOUT DESCRIPTION

With the key at the 12 o'clock position, the key switch is open. Turning the key clockwise to the 3 o'clock position, changes the key switch to closed. The key is removable in either position.

1. On/Off switch – Brown Wire
2. Stop switch – Black Wire
3. Open Switch – Black Wire
4. Close Switch – Black Wire

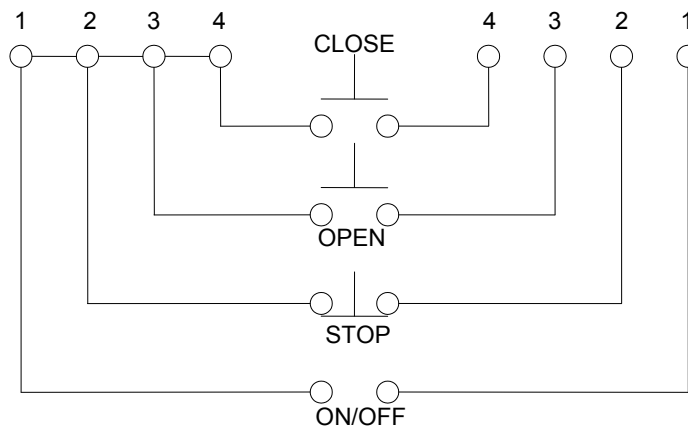


Figure 1 - Schematic Diagram

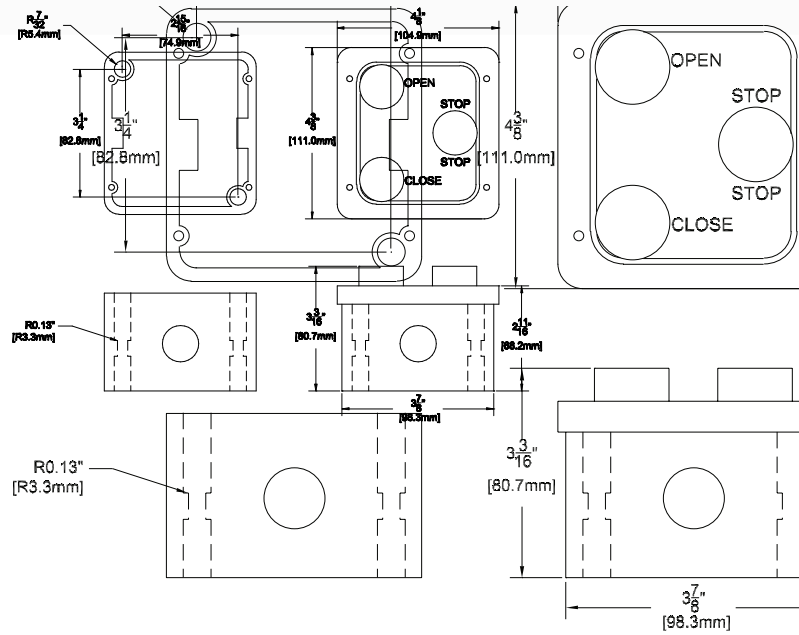


Figure 2 - CI-3BX

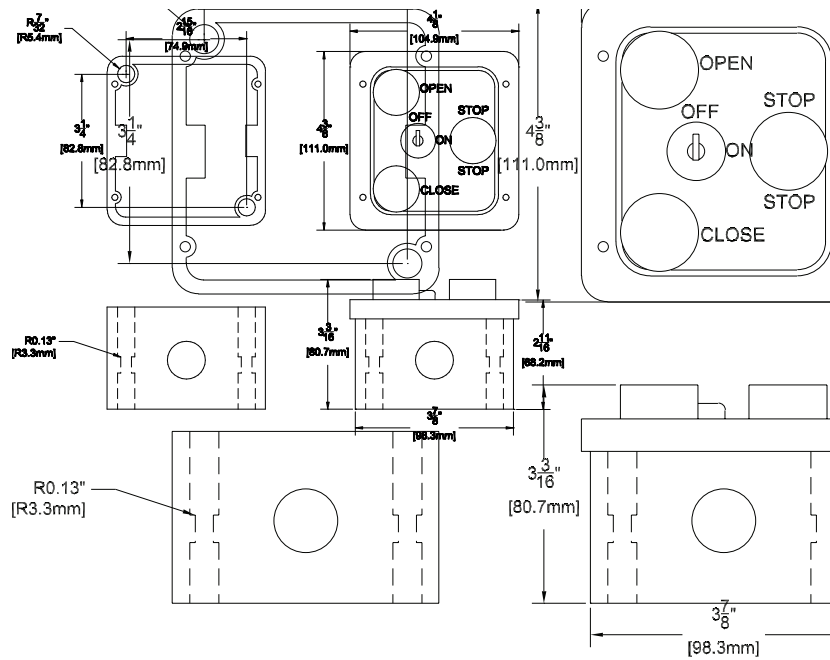


Figure 3 - CI-3BXL

