

CX-EPD1289L

Electric Preload RIM Strike

INSTALLATION INSTRUCTIONS



SECURITY
 UL 1034
 UL 294

UL 10C/
 CAN4-S104,
 3hr. Fire rating

THIS PACKAGE INCLUDES:

- (2) 4-PIN power connector (4) 1/4 - 20 x 1-1/4" Screws (1) MOV
- (1) 3-PIN door status connector (4) M3 x 6 Screws (1) Cover plate
- (1) Installation Jig

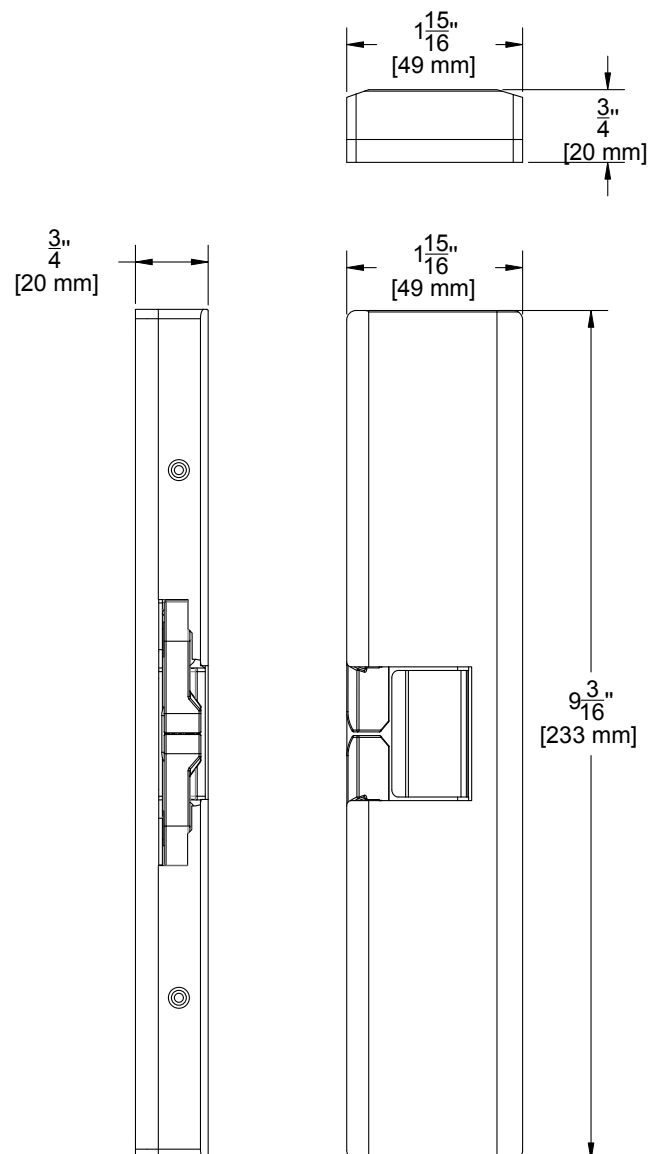
1. DESCRIPTION

Camden CX-EPD1289L Preload RIM strike for pullman latches offers the very best strike quality and performance. The strike design delivers unparalleled application flexibility, with field selectable voltage, fail safe/fail secure operation and mechanical adjustment of the strike body.

2. SPECIFICATIONS

Voltage	12/24V AC/DC
Current Draw	560mA @ 12 VDC 280mA @ 24 VDC
Static Strength	1,500lbs. (UL Verified)
Dynamic Strength	70 ft-lbs.
Preload (Fail-Secure Only)	15lbs.
Endurance	1,000,000 Cycles (Factory Tested) 250,000 Cycles (UL Verified)
Latch Projection	3/4"
Fire Rating	UL 10C/CAN4-S104 3 hrs. (Fail Secure Only)
Mode	Field Selectable Fail Safe/Fail Secure
Mechanical Adjustment	Strike Body
Operation	AC-Buzz, DC-Silent
Duty	Continuous
Latch Bolt Monitor	SPDT, 100mA @ 24V DC Resistive
Dimensions (Body)	9-3/16"H x 1-15/16"W x 3/4"D (233mm x 49mm x 20mm)
UL 294 Performance Levels	- Line Security = Level I - Attack Level = Level I - Endurance Level = Level IV - Standby Power = Level I

3. DIMENSIONS



CX-EPD1289L Electric Preload RIM Strike

INSTALLATION INSTRUCTIONS

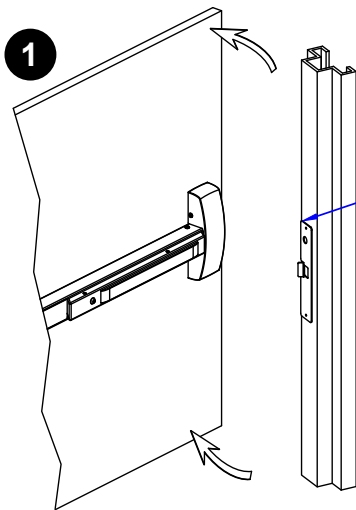
4. INSTALLATION

Introduction

RIM electric strikes, used with Pullman latch devices (i.e. exit devices) are very different from installing an electric strike for cylindrical or mortise lock sets, and therefore require additional considerations and a different installation technique.

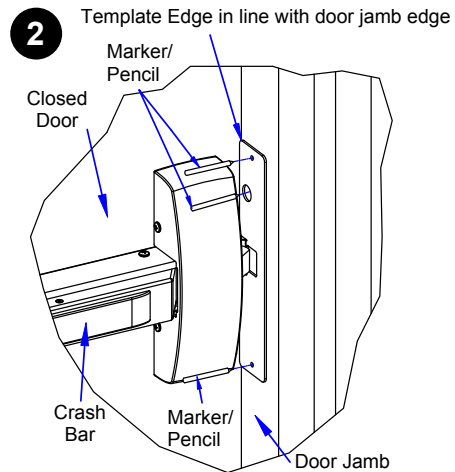
Camden CX-EPD1289L is designed to provide up to 15 lbs of preload on the strike keepers. This unique feature eliminates typical installation challenges caused by warped or misaligned doors, frames or locking hardware.

Step 1: Using the Install Jig

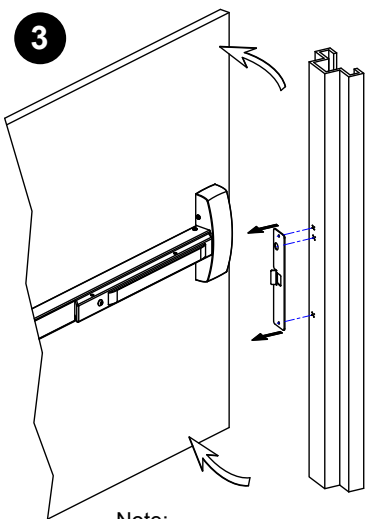


Align template edge with the jamb edge
(Note: While aligning the template with the Jamb edge, if the door keeper does not align with the template cavity, Adjust template)

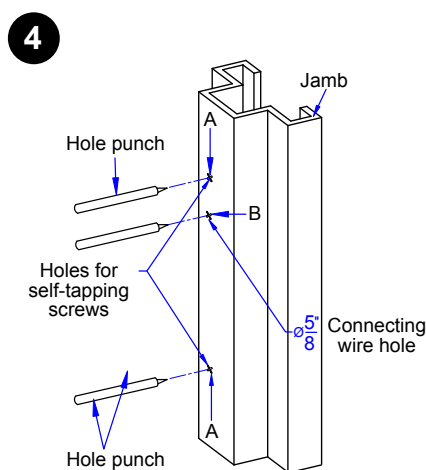
Note:
1. Open door slightly. Place template on door jamb aligning templates edge with jamb edge.



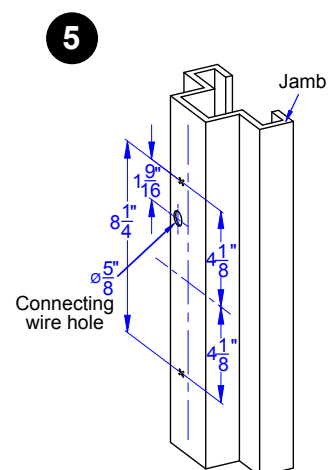
Note:
1. Close door making sure template is in place. Align Crash bar latch with template latch hole.
2. Mark holes center on the frame with a pencil or marker
3. While aligning the template with the Jamb edge, If the door keeper does not align with the template cavity, Adjust the template.



Note:
1. Open door slightly, and remove the template.



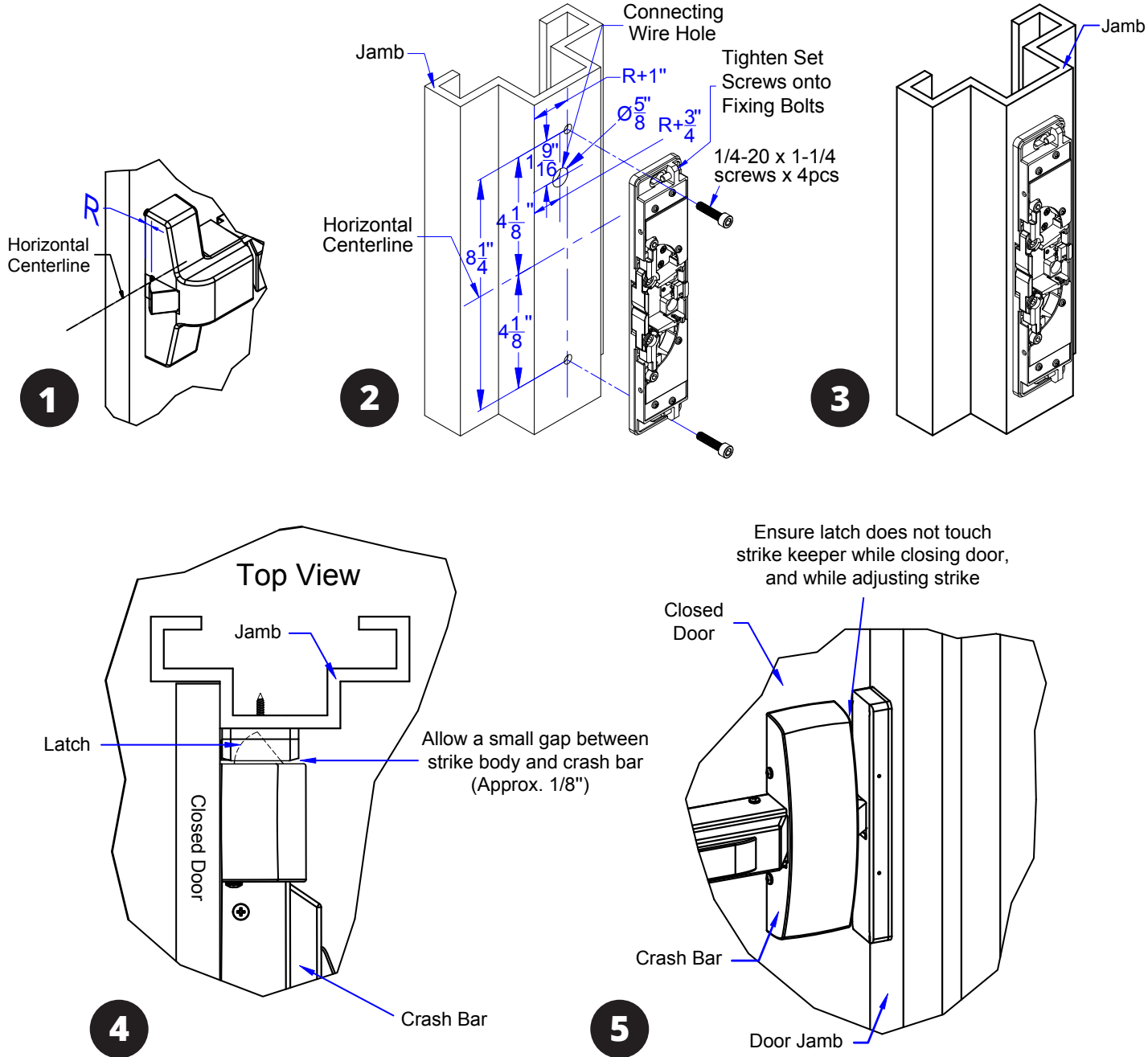
Note:
1. Use a hole punch on marked positions.
2. Use drill size 5/8" to drill hole B
3. Drill pilot holes A for 1/4 - 1/4 x 1/4" screws



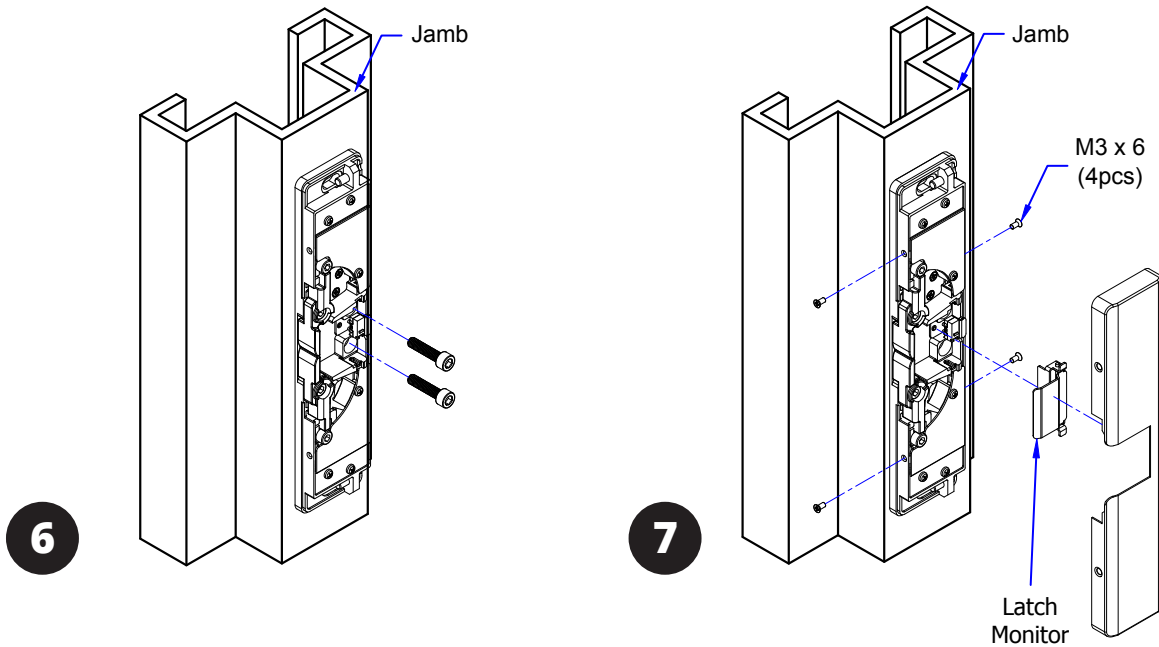
Step 2: Aligning the Strike

1. Mark the location and drill the 5/8" diameter hole for the electrical cable as per template or dimensions shown below.
2. Secure strike in place with the 1/4-20 x 1-1/4 (2 screws).
3. Close the door (ensure crash bar latch does not touch keeper while closing the door). If necessary, adjust strike so that strike and crash bar latch are well aligned.
4. While adjusting strike, allow a small gap between strike body and crash bar (approximately 1/8"). Remove the latch

5. Open the door and remove the strike from the frame, drill and thread the 2 middle mounting screw holes for the 1/4 - 20 x 1-1/4 screws.
6. Secure strike with all 1/4 - 20 x 1-1/4 screws and fix back the latch on the strike. Use the M3 x 6 screws to secure the strike cover.



CX-EPD1289L Electric Preload RIM Strike
INSTALLATION INSTRUCTIONS



Note:

The products are intended to be installed in accordance with the installation wiring diagram, mechanical assembly drawings provided with each product, the local authority having jurisdiction (AHJ) and the National Electric Code, NFPA 70.

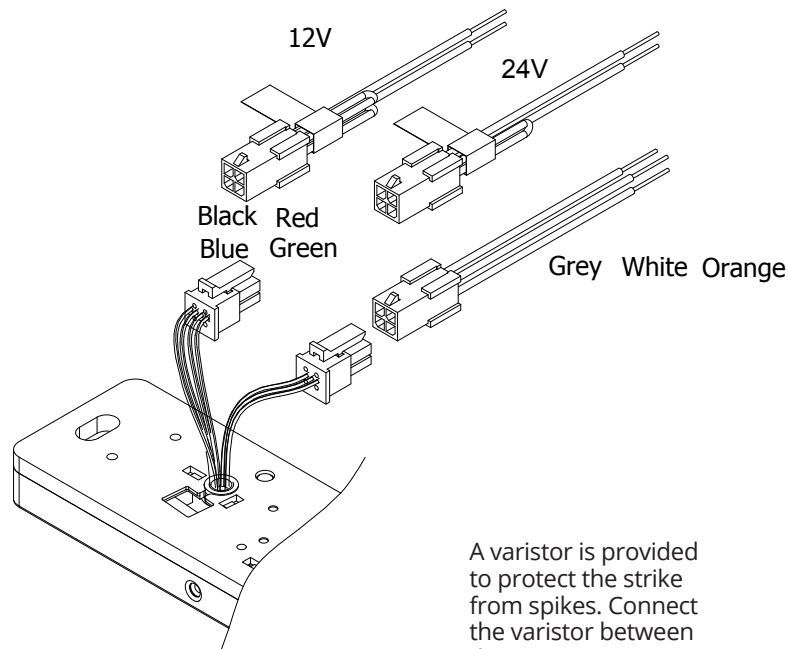
When installed in fail secure mode, the local authority shall be consulted with regard to the use of possible panic hardware to allow emergency exit from the secure area.

The electric door strike shall be installed in such a way and in such location so as to not impair the operation of an emergency exit device or panic hardware mounted on the door.

Step 3: Wiring the Strike

Door Status Sensor
 (Closed Position)

- White = N/O
- Orange = COM
- Grey = N/C



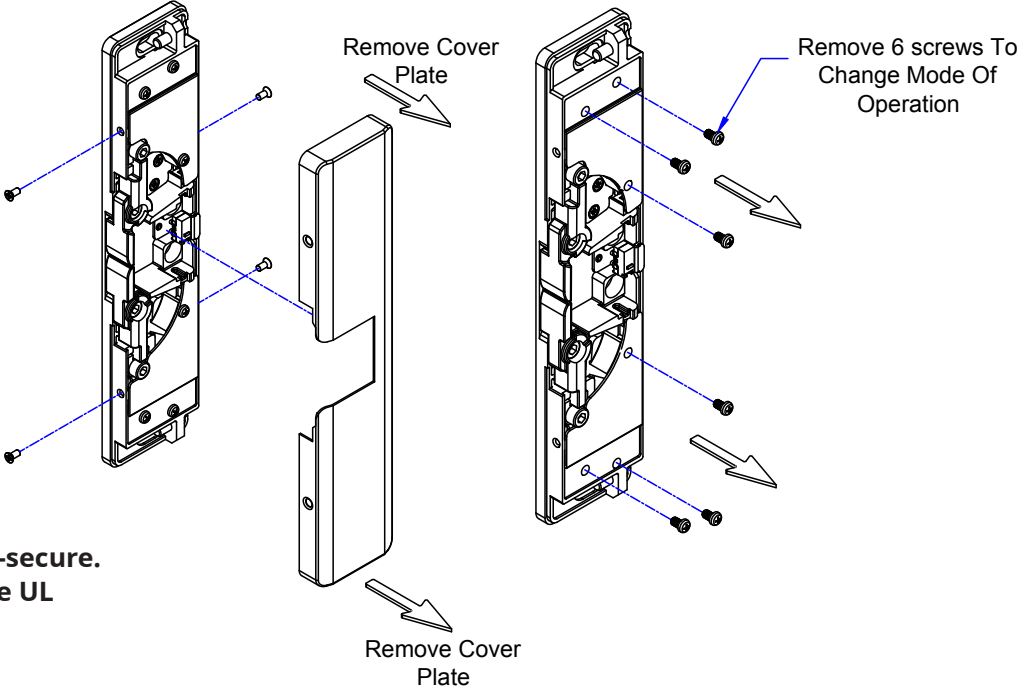
12V	
(+12V)	Red
Varistor	Black
(-)	Blue
	Green
24V	
(+24V)	Red
Varistor	Black
(-)	Blue
	Green

A varistor is provided to protect the strike from spikes. Connect the varistor between the input wires.

Step 4: Setting Fail-Secure/Fail-Safe

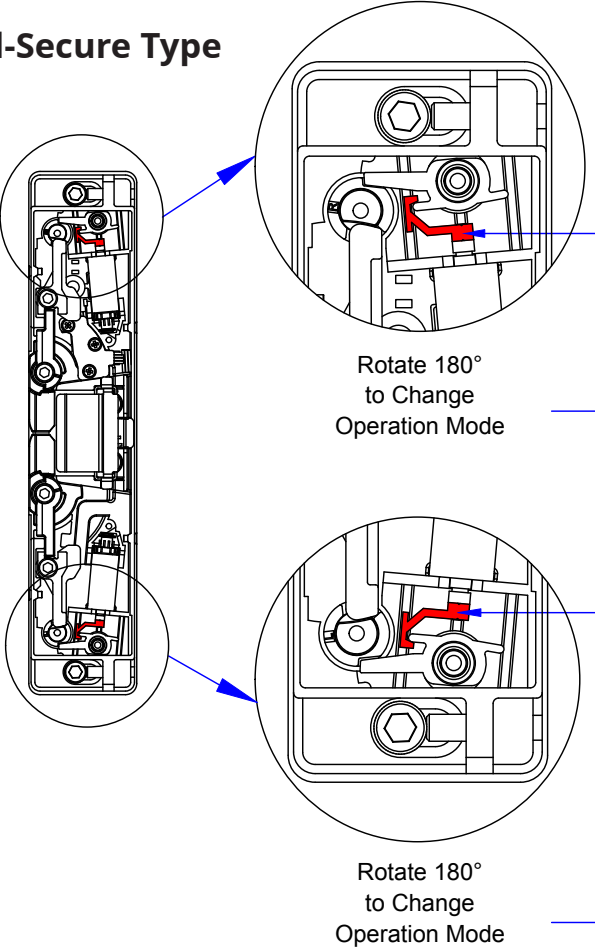
How to modify fail-secure to fail-safe or vice versa.

1. Remove the cover plate. Remove the 6 screws at the front of the electric strike as per the diagram below.
2. Rotate status mechanism 180 degree to change operation mode.

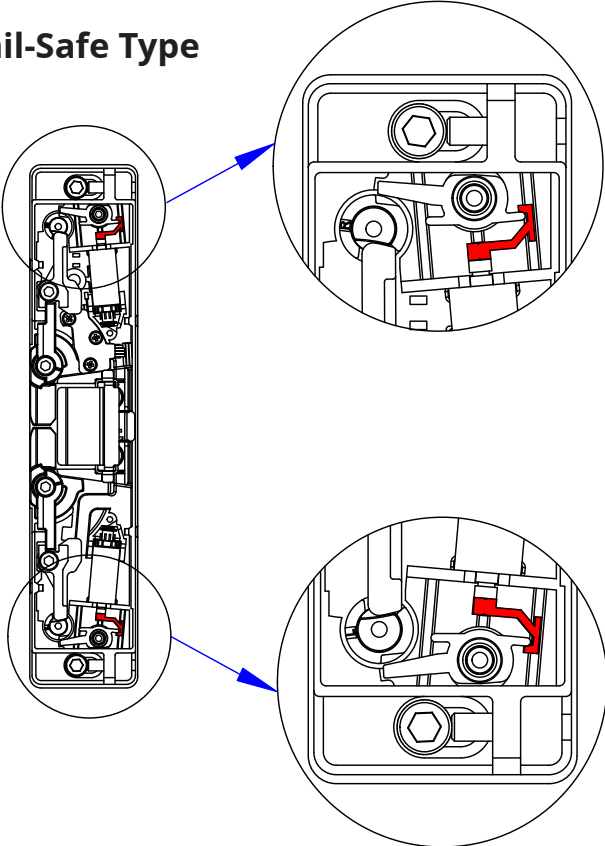


NOTE: Strikes are shipped fail-secure. Changing to fail-safe voids the UL fire rating.

Fail-Secure Type

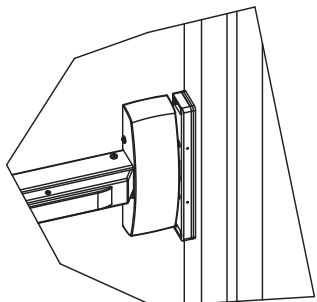


Fail-Safe Type



5. TROUBLESHOOTING

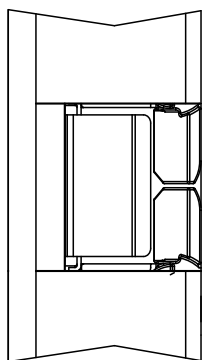
This guide has been produced to help installers understand the most important physical considerations that need to be addressed when installing the CX-EPD1289L RIM strike.



Step 1 – Confirm Latch entry to rim strike

The position of the latch held by the RIM strike is of critical importance to the operation of the strike. The most important considerations, and potential causes of failure, are as follows:

- **The centerline of the keeper (jaws) of the RIM strike MUST line up with the centerline of the latch of the crash bar.**
Mark the latch centerline on the door frame, prior to mounting the strike, for a point of reference.
- **The crash bar latch MUST NOT apply pressure on the keeper (jaws) of the RIM strike.**
Pre-load pressure on the strike jaws will prevent strike operation – it is the most common reason for a strike failing. Position the RIM strike so that the strike jaws lightly rest against the latch of the exit device.
- **The exit device latch MUST depress (activate) the latch monitor ‘paddle’ of the RIM strike.**
If the latch monitor is not used, this placement insures the latch of the exit device is fully held by the keeper (jaws) of the strike.

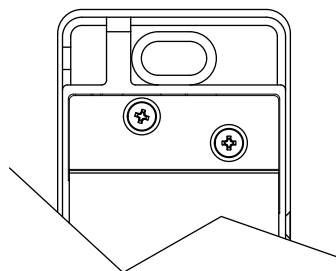
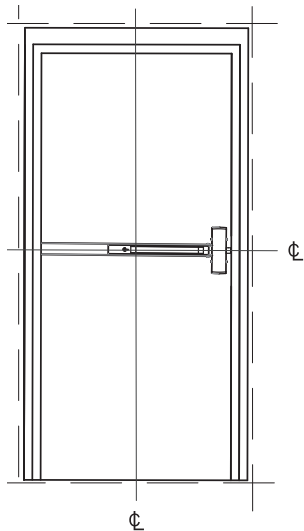


Step 2 – Confirm Door Alignment

Virtually all of Camden’s electric strike models, including the CX-EDP1289L RIM strike, offer horizontal adjustment, to compensate for doors that are misaligned with the door frame – but there is a limit to the strike adjustment.

- **Check that the door is not binding on the frame.**
An electric strike cannot compensate for this. If present, the door hinges will need to be adjusted.
- **Check the gap between the door and the stop of the frame (where the top and at the bottom of the door).**
A 1/4" difference in gap is very common and can be compensated for by the strike – if installed correctly.

If the door stop gap at the top and bottom of the door is different, **the electric strike cannot be installed plumb (‘straight’ up and down)**. The horizontal orientation of the RIM strike will need to be adjusted to match the angle of the misaligned door.

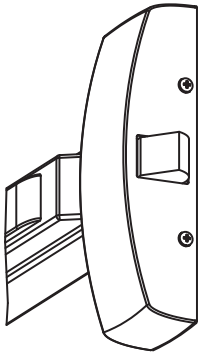


To do this:

- Mount RIM strike in position on frame, using only the (2) center (elongated) screw holes, top and bottom.
- Rotate the strike until both jaws of the strike very lightly touch the crash bar latch, with equal gap, on both jaws.
- Tighten center screws and open/close door to confirm latch does not bind on the strike jaws.
- Affix the 4 screws that permanently mount strike on the frame.

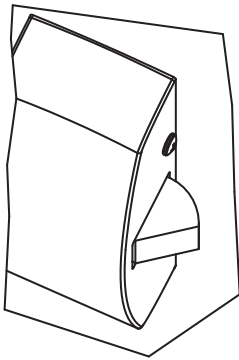
Other Considerations

Although the considerations above will address the majority of installation steps needed for a successful installation, there are a few additional items that you will need to check for:



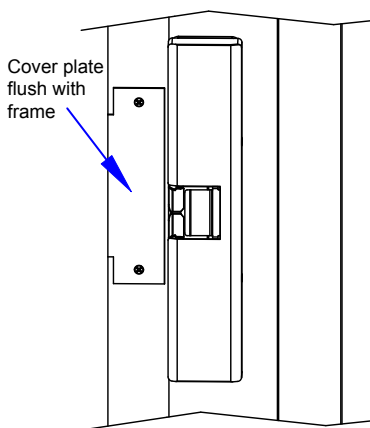
- **Consideration for deadlocking latch (as shown here).**

If exit device has a deadlocking latch, the CX-EPD1289L RIM strike must be mounted so that the deadlocking latch does not enter the latch cavity of the RIM strike. Position the strike so that the deadlocking latch rests against the face of the strike.



- **Consideration of the free movement of the exit device latch and the keeper (jaws) of the RIM strike.**

Ensure the exit device latch and the keeper (jaws) of the electric strike have free and easy movement to operate together, with minimum friction. In this, a small amount of silicone lubricate on both the latch and jaws of the strike will improve operation. Do not over spray.



- **Consideration for a professionally finished retrofit installation.**

Replacing electric strikes used with cylindrical or mortise locksets, with an exit device and RIM strike, will leave holes in the door and door frame that must be filled or covered. Cover or plug holes and check that new cover plates are flush with the frame and will not interfere with the RIM strike.

Summary

Adherence with the recommendations of this guide will avoid the most common problems associated with the installation of RIM strikes. If you require additional assistance, please contact our Technical Support department by phone at 1-877-226-2269 or email support@camdencontrols.com.