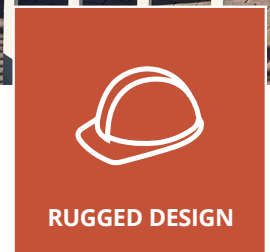
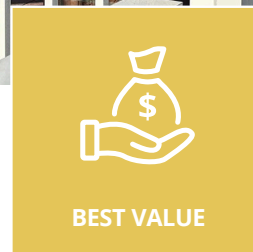
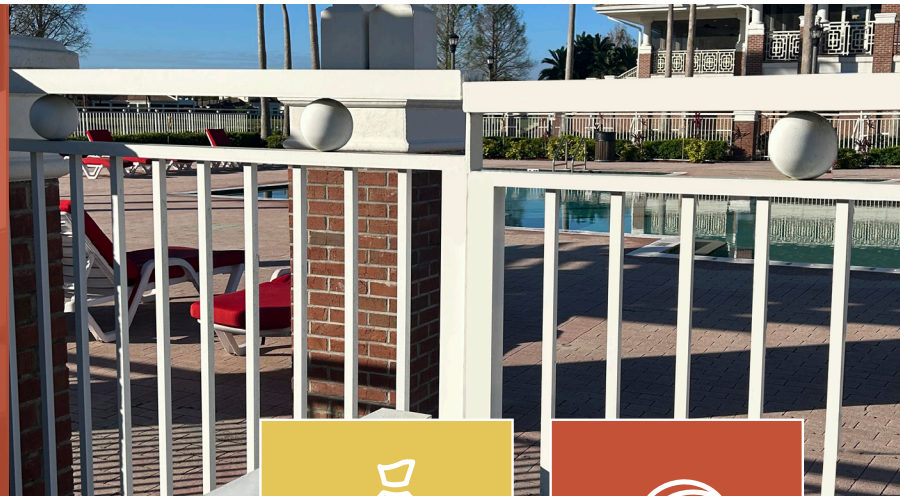


CX-ED1959 Series Outdoor Rated Electric Strikes



Camden CX-ED1959 Series outdoor-rated strikes feature heavy-duty stainless steel construction with an integrated ANSI square faceplate and Grade 1 performance. Compatible with cylindrical and centreline mortise locksets without deadbolts. The CX-ED1959 Series models include a heavy gauge painted steel mounting box at no additional charge.

CX-ED1959-MB strikes are specifically designed for exposed perimeter doors and gates. The CX-ED1959RM-MB is a best in class outdoor gate strike, designed for doors equipped with RIM exit devices.

CX-ED1959-MB - For cylindrical and centreline mortise locksets (without deadbolts)

CX-ED1959RM-MB - Designed for RIM Exit devices

Features

- Grade 1 strike for exterior doors and gates
- 7/8" latch projection
- Metal mounting box included
- Universal design:
 - Selectable 12/24V DC
 - Selectable fail safe/fail secure operation
- Integrated ANSI square faceplate
- Heavy-duty stainless steel construction
- Easy fit connectors
- 5-year warranty



SPECIFICATIONS

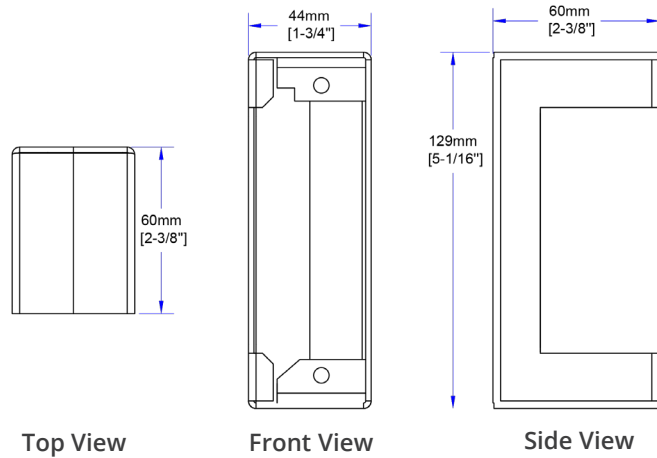
VOLTAGE:	12/24V DC
CURRENT DRAW:	280mA / 140mA
STATIC STRENGTH:	1,500 Lbs.
DYNAMIC STRENGTH:	70 Ft-Lbs.
ENDURANCE:	1,000,000 Cycles (Factory Tested) 250,000 Cycles (UL Certified)
LATCH OPENING:	1-9/16" x 7/8" (40mm x 22mm)
MODES:	Selectable Fail Safe/Fail Secure
DUTY:	Continuous
DIMENSIONS:	4-7/8" H x 1-5/8" W x 1-11/16" D (124mm x 41mm x 43mm)

ORDERING INFORMATION

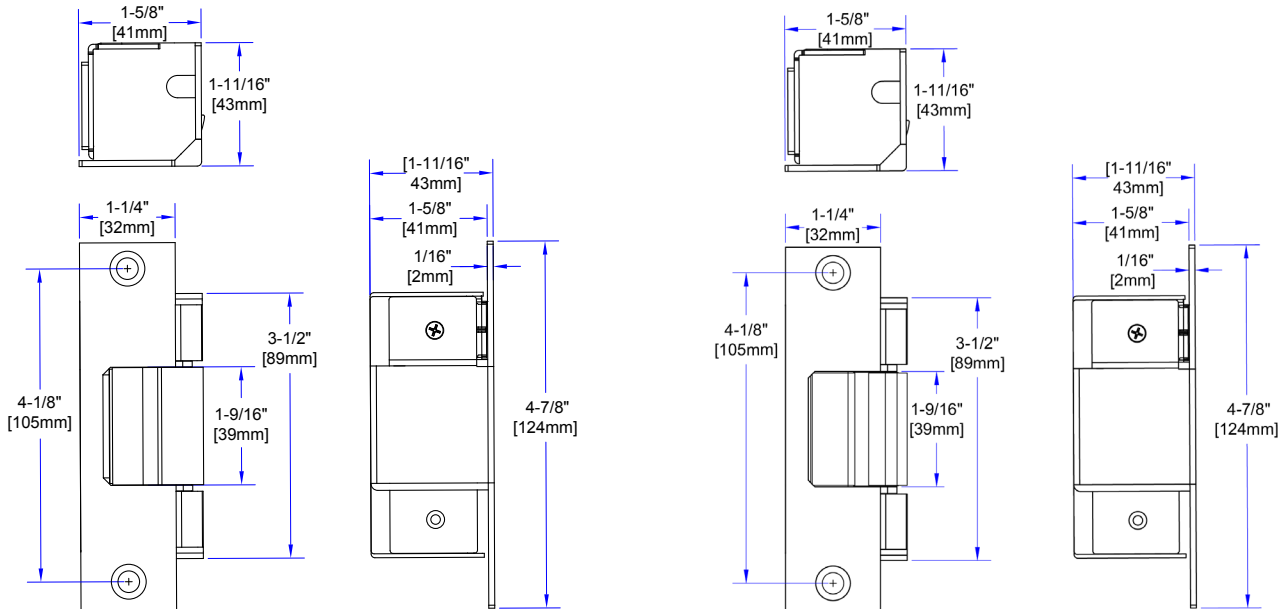
MODEL

CX-ED1959-MB	Outdoor rated Grade 1 strike for exterior doors and gates, designed for use with cylindrical & centreline mortise locksets. Supplied with metal mounting box.
CX-ED1959RM-MB	Outdoor rated Grade 1 strike for use with with RIM exit devices, with standard or Pullman latches. Supplied with metal mounting box.

MOUNTING BOX DIMENSIONS



STRIKE BODY DIMENSIONS



CX-ED1959

CX-ED1959RM



Opening New Doors to Innovation, Quality, and Support!