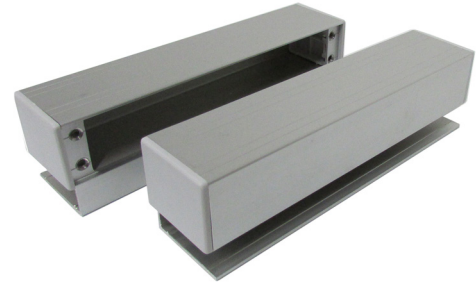


CX-1015 Shear Lock 1/2" (12.7mm) Glass Door Bracket Installation Instructions

This Package Includes:

- | | |
|----------------------|------------------------------------|
| 1 - Maglock bracket | 4 - End Caps |
| 1 - Armature bracket | 8 - M5.8 x 12mm
Phillips Screws |



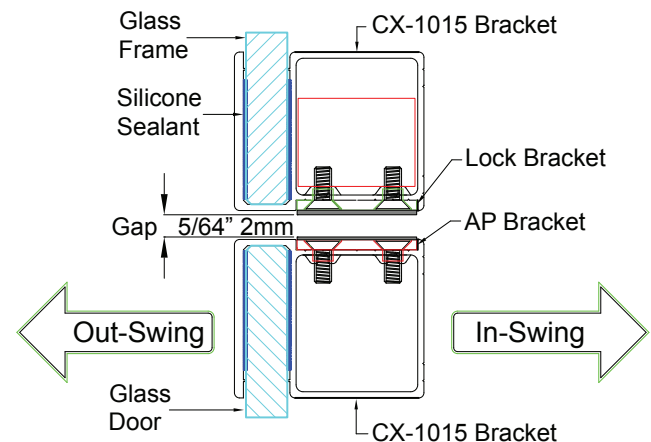
General Installation Method

General Installation Steps & Maintenance

1. Allocate an area on the door frame for the shear lock bracket to be installed.
2. For frameless glass door application:
 - 2.1 Open a wire hole on the top or side of the CX-1015 bracket
3. Fixing in the End Cover.
 - 3.1 Inject silicone sealant into the CX-1015 bracket as shown in diagram 3 before mounting on the glass frame. (* Clean all the overflow silicone from the bracket perimeter)
 - 3.2 Temporarily tape the bracket, to prevent it from dropping, while the silicone fully cures to glass frame.
 - 3.3 Install the shear lock onto the mounting bracket
4. Fixing bracket on the Glass door:
 - 4.1 Make sure the bottom bracket is aligned with the top bracket of the shear lock location
 - 4.2 Fixing in the End Cover
 - 4.3 Inject silicone sealant into the CX-1015 bottom bracket as shown in diagram 3 before mounting on the glass door.
 - 4.4 Install the Armature Plate on the bottom bracket which is attached to the glass door
 - 4.5 Make sure the gap between the armature plate surface and shear lock is 5/64" (2mm) distance.

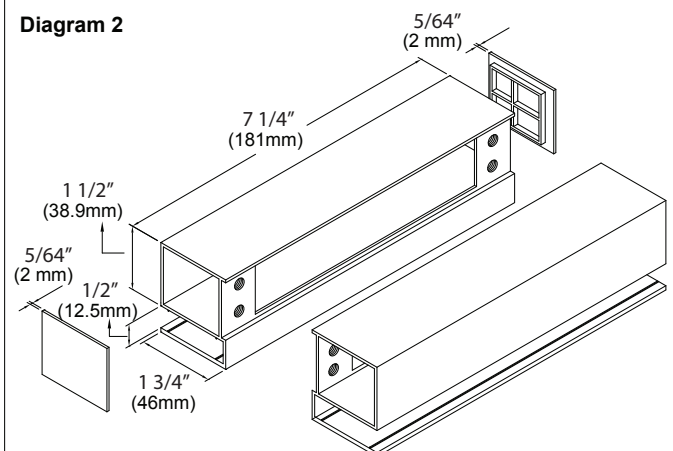
Frameless Glass Door Application

Diagram 1



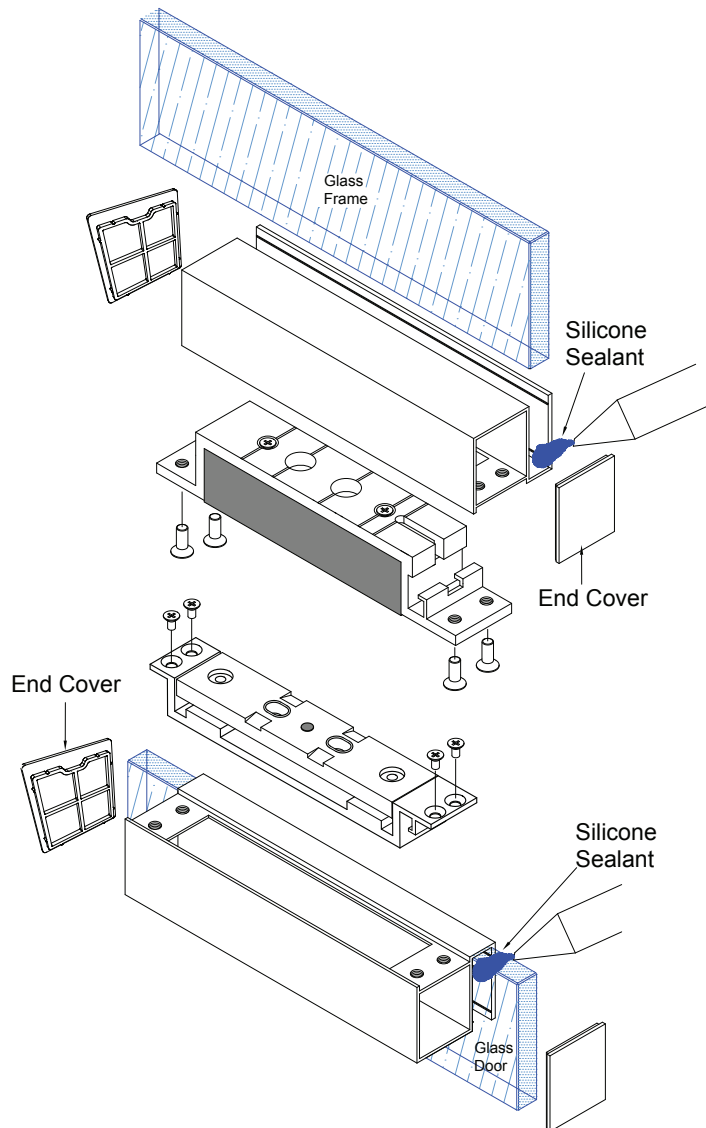
Specifications

Diagram 2



NOTE: Maximum glass thickness 0.47" (12mm)

Diagram 3



Push Buttons



Keypads



Strikes



Magnetic Locks



Key Switches



Relays & Timers



Access Control