

# CX-DESPK15SM and CX-DESPK15FM External 15 Watt Speaker Station

## INSTALLATION INSTRUCTIONS



### THIS PACKAGE INCLUDES:

- 1 - Speaker Assembly
- 1 - Black Trim
- 1 - Mounting Box Assembly
- 1 - Parts Kit

### 1. GENERAL DESCRIPTION

Camden Door Controls CX-DESPK15 15-watt speaker station is designed for industrial and commercial applications, where both audio and visual indication is required. The 15-watt speaker can provide amplified audio messages where ambient noise may be present.

**Note:** only 12 VDC is provided for the amplified 15-watt speaker station.

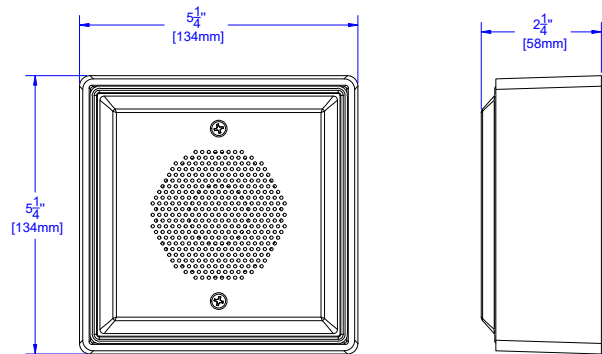
### 2. APPLICATION

Camden remote speaker station is ideal for applications that require a visual and audio capabilities such as a remote speaker station for delayed egress locks, door chimes or paging systems. It can be surface (CX-DESPK15SM) or flush mounted (CX-DESPK15FM). Camden remote speaker station is designed to be wired to delayed egress maglocks, door chimes and other low voltage systems.

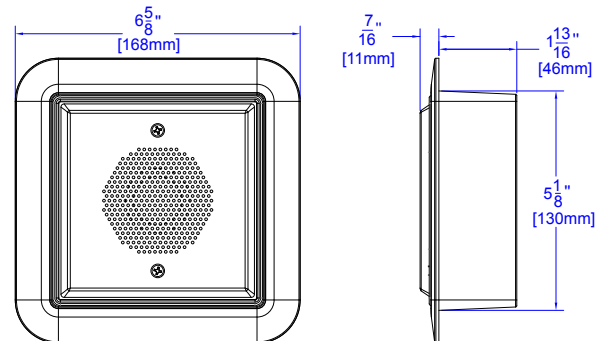
### 3. SPECIFICATIONS

Voltage	8-24V DC, 5mA
Maximum Audio	15 Watt (82dB at 3 feet (0.9 m))
Output Impedance	8Ω

### 4. FRONT AND SIDE (CX-DESPK15SM)



### 5. FRONT AND SIDE (CX-DESPK15FM)



### 6. WIRING

Wire Color	Connection
Grey	+ Ex. SPK of delayed egress lock
White	- Ex. SPK of delayed egress lock
Black	0 VDC of power supply
Red	+12-24 VDC of power supply

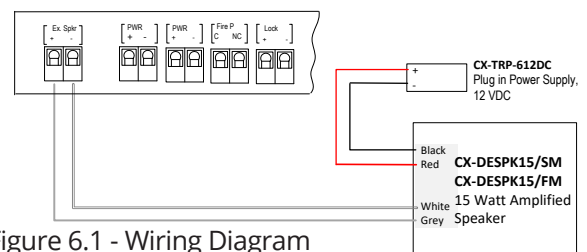


Figure 6.1 - Wiring Diagram

### 7. INSTALLATION

CX-DESPK15 uses a stainless-steel faceplate that easily mounts onto Camden's Aura surface or flush enclosures. Only 2" depth is required for flush mounting.

1. Determine the wire access location and drill hole of sufficient size, or use center knock-out plug.
2. Drill the four required mounting holes. (11/64" min.) There are four indents provided on 3" centers for your convenience.
3. Pull wiring through access hole, and mount the box on the wall using 4 screws.
4. Wire as per figure 6.1 and finally, Connect power and test for proper operation.

## CX-DESPK15SM and CX-DESPK15FM External 15 Watt Speaker Station

### INSTALLATION INSTRUCTIONS

#### 8. EXPLODED VIEW

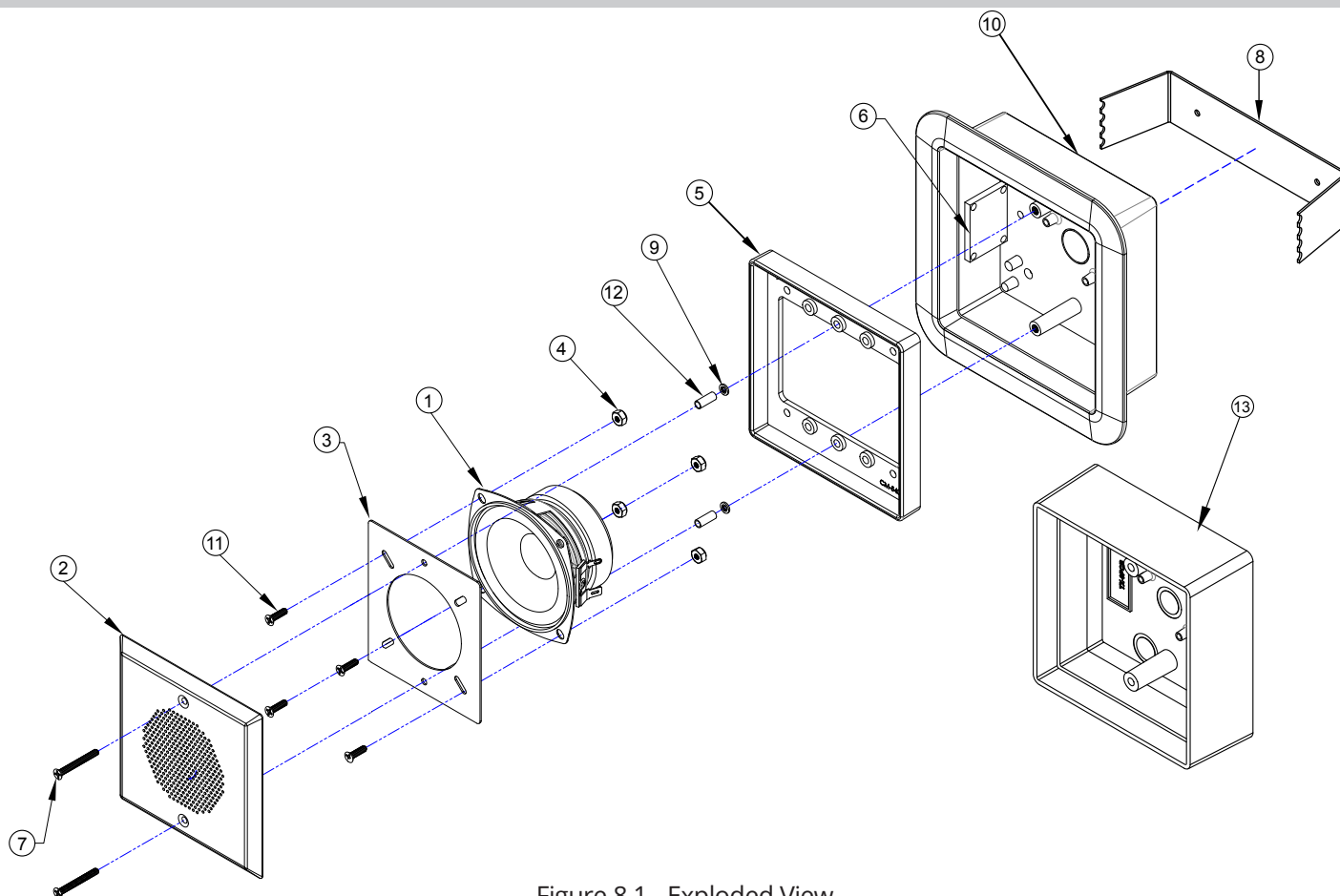


Figure 8.1 - Exploded View

#### 9. PARTS INFORMATION

MODEL NUMBERS			
ITEM #	MODEL NUMBER	QTY	DESCRIPTION
1	60-64B001	1	Remote 15 Watt Speaker
2	60-49F011-A	1	S/S D/G Face Plate/Grill
3	60-49F011-B	1	Sub Plate
4	60-52C006A	4	6-32 Nylon Insert Lock Nuts
5	60-42C019	1	Aura square Flush Mount Box
6	60-31A085	1	Audio Amplifier PCB
7	60-51C221E040	2	6-32 x 1 1/4" FLT HD. Phillips S/S Screw
8	60-40A008	1	Drywall Bracket for Flush Mount Boxes
9	60-54R001	2	Self-Retaining Washer
10	60-42C019	1	Square Flush Mount Box
11	60-51C021A16	4	6-32 x 1/2" FLT. HD. Phillips Zinc M.S.
12	60-56C501E20	2	Aluminium Spacer
13	60-42C010	1	D Gang Plastic Box for CM-54

**10. MODEL DESCRIPTION**

<b>MODEL NUMBER</b>	<b>DESCRIPTION</b>
CX-DESPK15SM	Surface Mount, 15-watt Audio Speaker Station
CX-DESPK15FM	Flush Mount, 15-watt Audio Speaker Station