

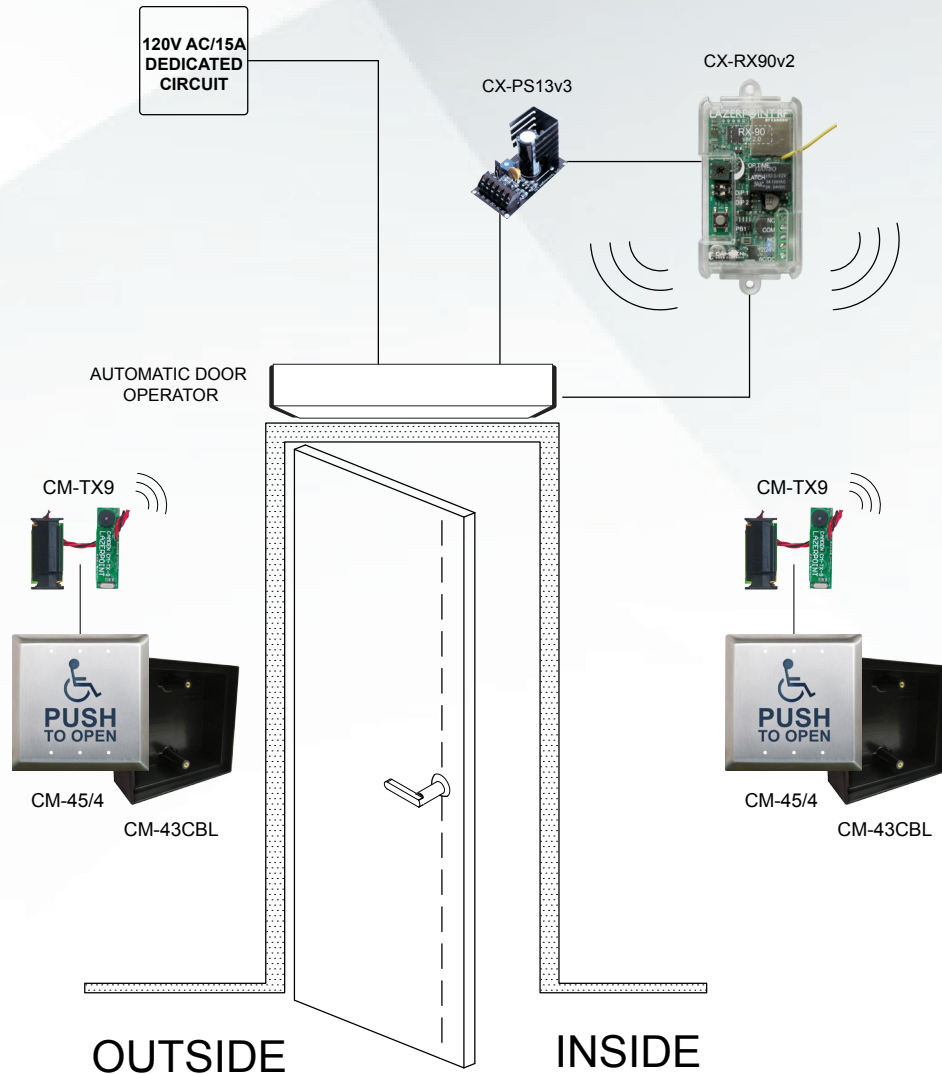


AUTOMATIC DOORS (ADA)

File No. | 1.2.2.4

# Single Door

## Lazerpoint™ Battery Powered Wireless Activation



### Wireless, with Battery Powered Transmitters

This is a wireless ADA-compliant 'low energy' automatic door application. Lazerpoint™ battery-powered wireless wall switch transmitters and single relay receivers dramatically reduce installation costs by avoiding the need to run wires to the switches.

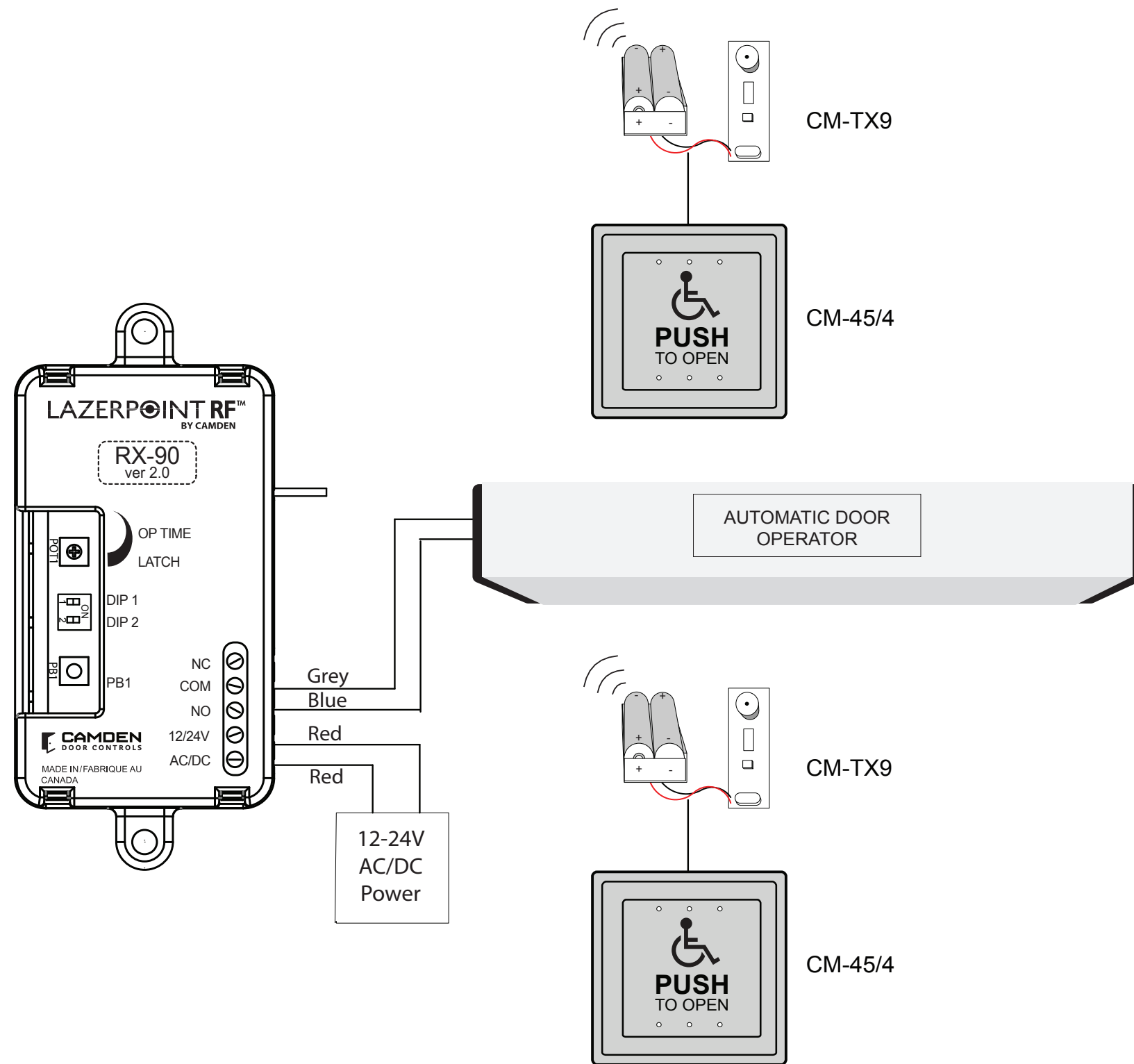
### FEATURES

- Multi-year battery life using common Alkaline batteries
- Low battery and stuck switch alarm
- 3 year warranty



Opening New Doors to Innovation, Quality, and Support!

1.877.226.3369 / 905.366.3377 • [www.camdencontrols.com](http://www.camdencontrols.com)



**SPECIFICATIONS**

|  |
|--|
| SYSTEM TYPE: AUTOMATIC DOORS (ADA)                             |
| APPLICATION TYPE: SINGLE DOOR                                  |
| PROJECT SCOPE: LAZERPOINT™ BATTERY POWERED WIRELESS ACTIVATION |



**Automatic  
Doors (ADA)**



# Automatic Doors (ADA)

## Single Door

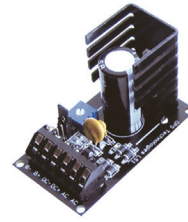
### Lazerpoint™ Battery Powered Wireless Activation



CX-RX-90

#### Wireless Receiver

- Compatible with both Lazerpoint™ and Kinetic™ Wireless Systems, Switch Selectable
- 1 Relay



CX-PS13v3

#### Variable Output Linear Power Supply

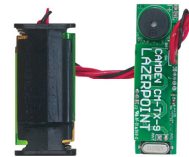
- Compact on Board Design
- Selectable 6, 12, 24VDC or 2-24VDC



CM-45/4

#### 4-1/2" Push to Open Push Plate

- Flush or Surface Mount
- ADA Compliant
- Optional Architectural Finishes



CM-TX9

#### Lazerpoint™ Transmitter

- Multi-year Battery Life, Using AAA Batteries
- Low Battery & Stuck Switch Alarm



CM-43CBL

#### Surface Mounting Box

- Flame/Impact Resistant