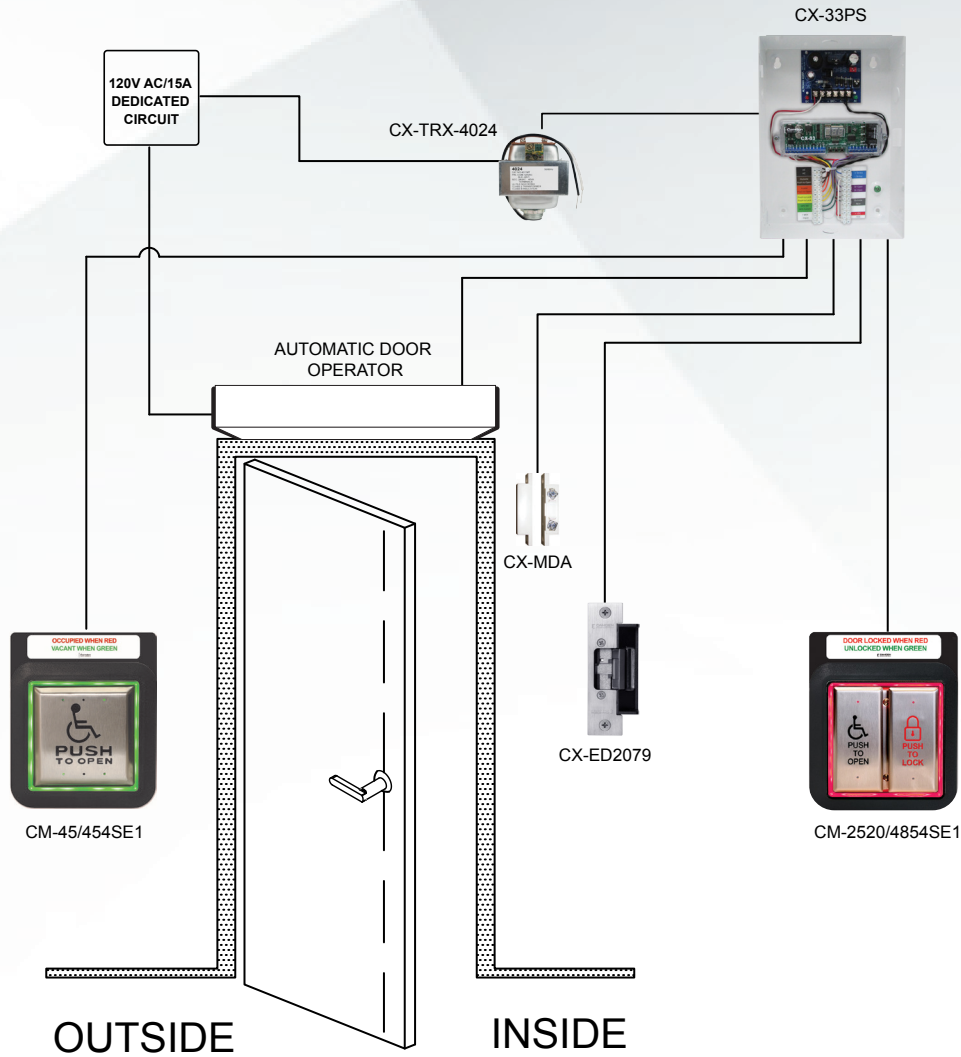




## DOOR CONTROL

File No. | 3.1.1.1

# Single Door Restroom System Wired, with Illuminated Activation Switches



### Single Door Restroom Control

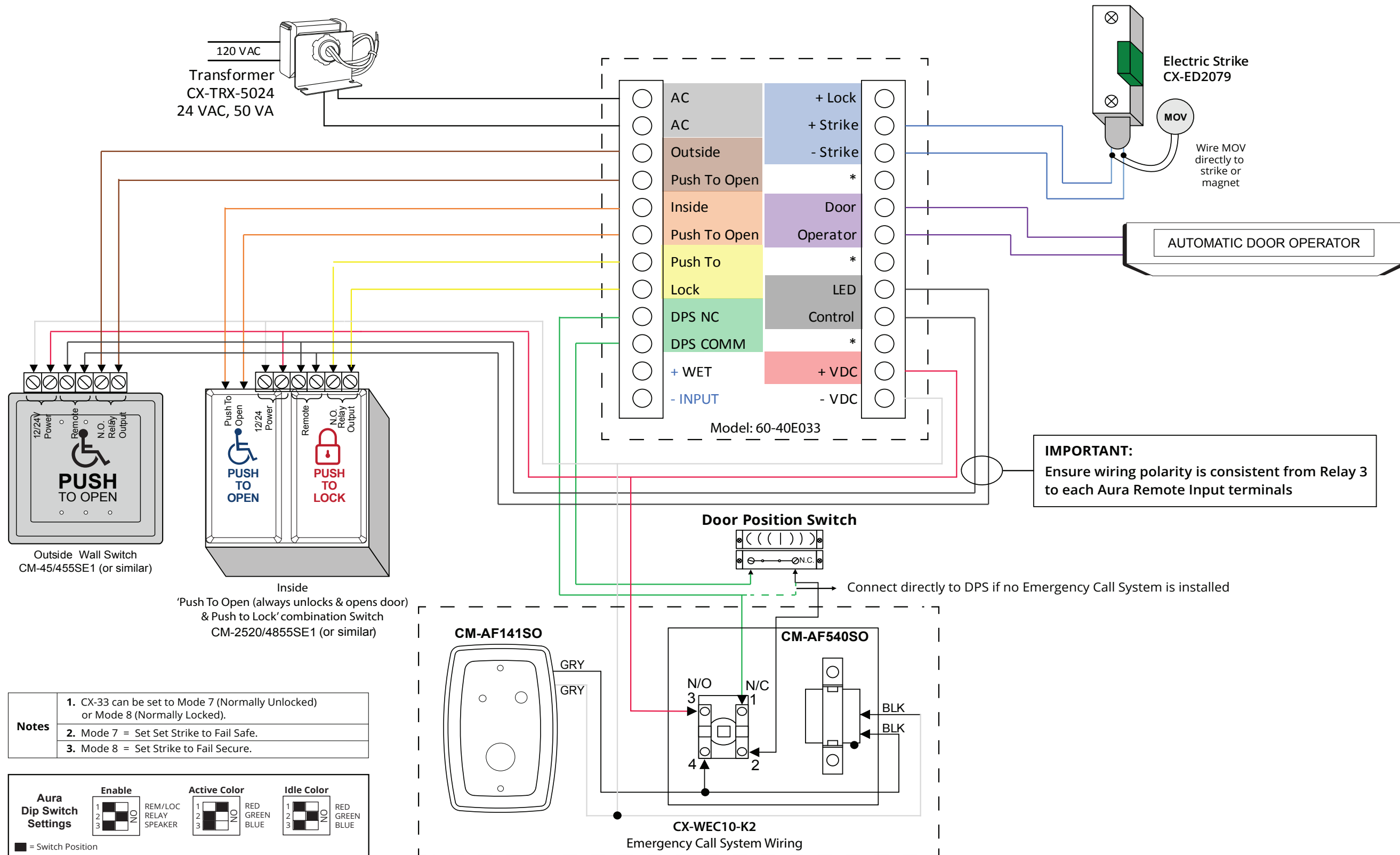
This is a state-of-the-art Privacy/Restroom Control System designed to meet the latest building code requirements for ADA-compliant barrier-free access. The illuminated push plate switches clearly indicate the occupancy of the room and the door's locked status. The system automatically resets (unlocks) when the inside 'push to open' switch is activated inside the room or an occupant uses the mechanical door lockset to exit the room.

### FEATURES

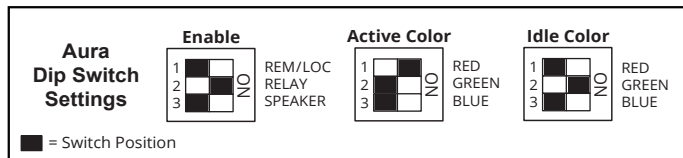
- A complete application, including all activation, annunciation, locking and control devices
- The compact controller and power supply cabinet is pre-wired and provides easy access to wire termination
- The CX-33 advanced logic relay is easily configured with the press of on-board program selection buttons
- High quality devices with 3 year warranty



Opening New Doors to Innovation, Quality, and Support!  
1.877.226.3369 / 905.366.3377 • [www.camdencontrols.com](http://www.camdencontrols.com)



- Notes**
1. CX-33 can be set to Mode 7 (Normally Unlocked) or Mode 8 (Normally Locked).
  2. Mode 7 = Set Set Strike to Fail Safe.
  3. Mode 8 = Set Strike to Fail Secure.



**SPECIFICATIONS**

SYSTEM TYPE: DOOR CONTROL
APPLICATION TYPE: SINGLE DOOR RESTROOM SYSTEM
PROJECT SCOPE: WIRED WITH ILLUMINATED ACTIVATION SWITCHES



**Single Door Restroom System**



# Single Door Restroom System

## Wired, with Illuminated Activation Switches



CX-33PS

### Controller & Power Supply Cabinet

- 12V or 24V DC
- 15 Operating Modes
- Complies with ANSI A158.19 for Power Operated Pedestrian doors



CX-ED2079

### Grade 2 'Universal' ANSI Electric Strike

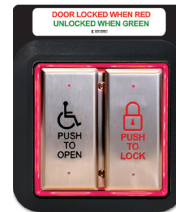
- 3 Faceplates for Cylindrical Locksets
- Low Profile
- 1/2" to 5/8" latch projection



CM-45/454SE1

### 4-1/2" Illuminated 'Push to Open' Switch

- Flush enclosure, switch, and instructional sign
- Red/Green indication of room occupancy



CM-2520 4854SE1

### 4-1/2" Illuminated Combination Switch

- Flush enclosure, switch, and instructional sign
- 'Push to Open' and 'Push to Lock' activation switches
- Red/Green indication of door lock status



CX-MDA

### Magnetic Door Contact

- Surface, SPST Contact
- 15/16" (23mm) gap



CX-TRX-4024

### 40VA, 24 VAC Transformer

- Standard Mount
- 3 Year Warranty

