



LOCKING PRODUCTS

TABLE OF CONTENTS

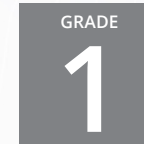
ELECTRIC STRIKES 3

CX-ED1079 Series: 'Universal' Grade 1 ANSI Strikes.....	3
CX-ED2071 & CX-ED2079 Series: 'Universal' Grade 2 ANSI Strikes	4
CX-ED1379 & CX-ED1309: 'Universal' Strikes for Narrow Stile.....	5
CX-ED1410: ANSI Grade 1 Fire Rated Strikes	6
ANSI Strike Faceplates	7
CX-ED1579L: 'All in One' Fire Rated Strikes.....	8
CX-ED1689L & CX-ED1799L 'All in One' Fire Rated Strikes	9
'All in One' Strike Faceplates.....	11
CX-EPD1289L Series: 3/4" 'Universal' RIM Strikes with Preload.....	12
CX-ED1959 Series: Outdoor Strikes	13
Electric Strike Cross Reference Chart.....	14
Lockset Reference Guide	15

MAGNETIC LOCKS 18

CX-90/91 Series: Single Door Magnetic Locks.....	19
CX-92S Series: Double Door Magnetic Locks	20
CX-91S & CX-92S Series: Mounting Accessories	21
CX-94: Gate Lock.....	22
CX-95S-DH: Magnetic Door Holder.....	22
Magnetic Lock Cross Reference Chart	23
CX-DE1200 Series: Delayed Egress Magnetic Locks.....	24
CX-DE1200 Delayed Egress Magnetic Locks Comparison Chart	26
CX-EPD0009: Magnetic Cabinet Lock.....	27
CX-ED0010: Electromechanical Cabinet Lock.....	27

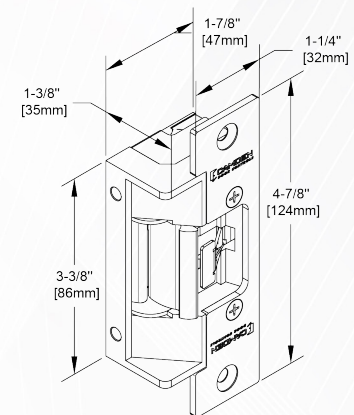
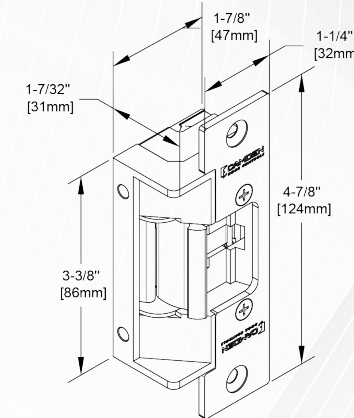
CX-ED1079 SERIES: 'UNIVERSAL' GRADE 1 ANSI ELECTRIC STRIKES



CX-ED1079



CX-ED1079DL



FEATURES

- CX-ED1079, low profile, 1/2" to 5/8" latch projection (throw)
- CX-ED1079DL, standard depth, 5/8" to 3/4" latch projection (throw)
- Horizontal adjustability of strike body
- 3 stainless steel faceplates included: ANSI square, hollow metal and wood door frame

SPECIFICATIONS

Voltage:	12/24V AC/DC
Current Draw:	260mA @ 12V AC/DC 150mA @ 24V AC/DC
Static Strength:	1,500 Lbs Dynamic Strength: 70 Ft-lbs
Mode:	Selectable Fail Safe/Fail Secure
Endurance:	1,000,000 Cycles (Factory Tested) 250,000 Cycles (UL Verified)
Operation:	AC - Buzz DC - Silent
Duty:	Continuous Latch Monitor: SDPT, 100mA @ 24VDC

STRIKES

CX-ED1079	Low Profile Grade 1 'Universal' electric strike, 12/24V AC/DC, fail safe/fail secure operation, horizontal adjustment, and 3 stainless steel faceplates (CX-ESP1B, CX-ESP3B & CX-ESP4B)
CX-ED1079L	As above, with latch monitoring
CX-ED1079D	Standard Depth Grade 1 'Universal' electric strike, 12/24V AC/DC, fail safe/fail secure operation, horizontal adjustment, and 3 stainless steel faceplates (CX-ESP1B, CX-ESP3B & CX-ESP4B)
CX-ED1079DL	As above, with latch monitoring

FACEPLATES (See page 7 for dimensions)

INCLUDED IN PACKAGE

CX-ESP1B	ANSI Square, stainless steel
CX-ESP3B	Hollow Metal Door, stainless steel
CX-ESP4B	Wood Door, stainless steel

OPTIONAL FACEPLATES

CX-ESP2B	ANSI Round, stainless steel
CX-ESP1B-BK	ANSI Square, black finish (BHMA 622, US19)
CX-ESP2B-BK	ANSI Round, black finish (BHMA 622, US19)
CX-ESP3B-BK	Hollow Metal Door, black finish (BHMA 622, US19)
CX-ESP4B-BK	Wood Door, black finish (BHMA 622, US19)

ACCESSORIES

LIP EXTENSION BRACKETS

CX-ED-LIP1	1" Lip extension for ANSI strikes (stackable)
CX-ED-LIP2	2" Lip extension for ANSI strikes

CUTTING JIGS (FOR 1/4" COLLET AND A 1/8" ROUTER BIT)

CX-JIG1	For CX-ED1079 (L) Strike, ANSI Round faceplates (CX-ESP2B)
CX-JIG2	For CX-ED1079 (L) Strike, Hollow metal door faceplates (CX-ESP3B)
CX-JIG3	For CX-ED1079D (L) Strike, ANSI Round faceplates (CX-ESP2B)
CX-JIG4	For CX-ED1079D (L) Strike, Hollow metal door faceplates (CX-ESP3B)
CX-JIG5	For CX-ED1079 & CX-ED1079D (L) Strikes, ANSI & Hollow metal door faceplates

MARKING TEMPLATE

CX-STR-TMPKIT	Electric Strike Marking Template Kit (See page 10 for details)
----------------------	--



CX-ED-LIP1

CX-JIG1

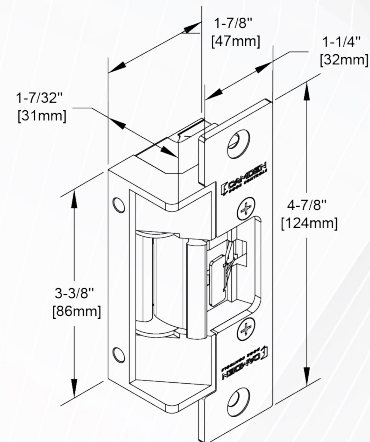


CX-ED2071 / CX-ED2079:

'UNIVERSAL' GRADE 2 ANSI
ELECTRIC STRIKES



GRADE
2



FEATURES

- Grade 2 ANSI Strikes
- 1/2" to 5/8" latch projection
- Selectable fail safe / fail secure operation
- Horizontal adjustability of strike body
- 3 stainless steel faceplates included: ANSI square, hollow metal and wood door frame

SPECIFICATIONS

Voltage:	CX-ED2071: 8 - 16V, AC/DC CX-ED2079: 12/24V, AC/DC
Current Draw:	CX-ED2071: 305mA @ 8VDC, 625mA @ 16VDC 190mA @ 8VAC, 460mA @ 16VAC CX-ED2079: 300mA @ 12V AC/DC, 150mA @ 24V AC/DC
Static Strength:	1000 lbs
Dynamic Strength:	50 Ft-lbs
Mode:	Selectable Fail Safe/Fail Secure
Endurance:	CX-ED2071 & CX-ED2079: 700,000 Cycles (Factory Tested) CX-ED2079: 250,000 Cycles (UL Verified)
Operation:	AC - Buzz DC - Silent
Duty:	CX-ED2071: Intermittent CX-ED2079: Continuous
Mounting:	Non-Handed

STRIKES

CX-ED2071	'Universal' electric strike, 8 - 16V AC/DC, fail safe/fail secure operation, horizontal adjustment, w/ 3 stainless steel faceplates (CX-ESP1B, ESP3B & ESP4B)
CX-ED2079*	'Universal' electric strike, 12/24V AC/DC, fail safe/fail secure operation, horizontal adjustment, w/ 3 stainless steel faceplates (CX-ESP1B, ESP3B & ESP4B)
CX-ED2079-1*	'Universal' electric strike, 12/24V AC/DC, fail safe/fail secure operation, horizontal adjustment, w/ 1 stainless steel faceplate (CX-ESP1B)

FACEPLATES (See page 7 for dimensions)

INCLUDED IN PACKAGE

CX-ESP1B	ANSI Square, stainless steel
CX-ESP3B	Hollow Metal Door, stainless steel
CX-ESP4B	Wood Door, stainless steel

OPTIONAL FACEPLATES

CX-ESP2B	ANSI Round, stainless steel
CX-ESP1B-BK	ANSI Square, black finish (BHMA 622, US19)
CX-ESP2B-BK	ANSI Round, black finish (BHMA 622, US19)
CX-ESP3B-BK	Hollow Metal Door, black finish (BHMA 622, US19)
CX-ESP4B-BK	Wood Door, black finish (BHMA 622, US19)

ACCESSORIES

LIP EXTENSION BRACKETS

CX-ED-LIP1	1" Lip extension for ANSI strikes (stackable)
CX-ED-LIP2	2" Lip extension for ANSI strikes

CUTTING JIGS (FOR 1/4" COLLET AND A 1/8" ROUTER BIT)

CX-JIG1	For CX-ED2071 / 2079 Strike, ANSI Round faceplate (CX-ESP2B)
CX-JIG2	For CX-ED2071 / 2079 Strike, Hollow metal door faceplates (CX-ESP3B)

MARKING TEMPLATE

CX-STR-TMPKIT	Electric Strike Marking Template Kit (See page 10 for details)
----------------------	--



CX-ED-LIP1

CX-JIG1

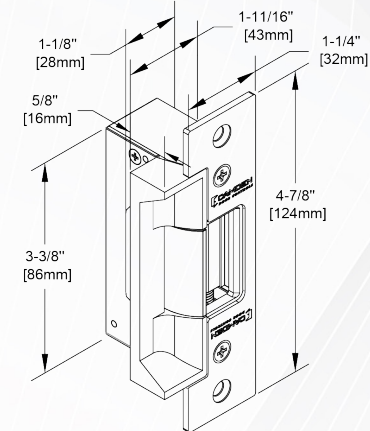


CX-ED1379 / CX-ED1309:

'UNIVERSAL' GRADE 1 STRIKES FOR
NARROW STILE ALUMINUM FRAME



GRADE
1



FEATURES

- For cylindrical locksets and spring latches
- Selectable fail safe/fail secure
- Selectable 12/24V AC/DC
- 1/2" to 5/8" latch projection
- Easy fit connectors
- A range of aluminum and dark bronze face plates

SPECIFICATIONS

Voltage:	12/24V AC/DC
Current Draw:	260mA @ 12V AC/DC 150mA @ 24V AC/DC
Static Strength:	1,500 lbs
Dynamic Strength:	70 Ft-lbs
Mode:	Fail Safe/Fail Secure Field Selectable
Operation:	AC - Buzz DC - Silent
Endurance:	1,000,000 Cycles (Factory Tested) 250,000 Cycles (UL Verified)
Duty:	Continuous (DC)
Faceplates:	CX-ED1379: Brushed Aluminum (BHMA 628) Dark Bronze (BHMA 710)

STRIKES

CX-ED1379	Grade 1 'Universal' Electric Strike, 12/24V AC/DC, fail safe/fail secure operation, includes: (1) CX-ESF-2 ANSI Round Faceplate - Brushed Aluminum finish (1) CX-ESF-2BZ ANSI Round Faceplate - Dark Bronze finish
CX-ED1309	Grade 1 'Universal' Electric Strike Body, 12/24V AC/DC, fail safe/fail secure operation. Faceplates sold separately.

FACEPLATES (See page 7 for dimensions)

BRUSHED ALUMINUM FINISH (BHMA 628) - FOR CX-ED1309

CX-ESF-1	ANSI Square Faceplate
CX-ESF-2	ANSI Round Faceplate
CX-ESF-2BR	Radius ANSI Round Faceplate
CX-ESF-3	Hollow Metal Faceplate
CX-ESF-3BR	Radius Hollow Metal Faceplate
CX-ESF-4	Wood Frame Faceplate

DARK BRONZE FINISH (BHMA 710) - FOR CX-ED1309

CX-ESF-1BZ	ANSI Square Faceplate
CX-ESF-2BZ	ANSI Round Faceplate
CX-ESF-2BR-BZ	Radius ANSI Round Faceplate
CX-ESF-3BZ	Hollow Metal Faceplate
CX-ESF-3BR-BZ	Radius Hollow Metal Faceplate
CX-ESF-4BZ	Wood Frame Faceplate

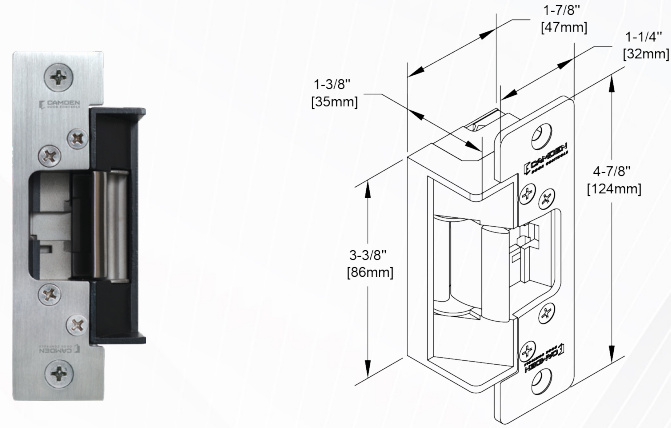
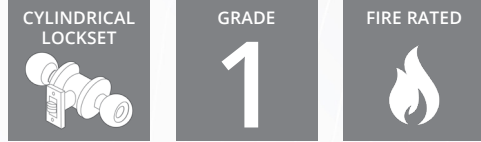
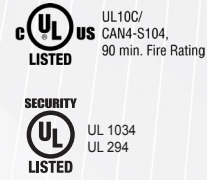
MARKING TEMPLATE

CX-STR-TMPKIT	Electric Strike Marking Template Kit (See page 10 for details)
----------------------	--



CX-ED1410 SERIES:

ANSI GRADE 1 FIRE RATED
ELECTRIC STRIKE



FEATURES

- 5/8" to 3/4" latch projection
- Selectable fail safe / fail secure (fire rating voided in fail safe mode)
- Continuous duty operation
- Non-handed
- 5 year warranty

SPECIFICATIONS

Voltage:	12/24V AC/DC
Current Draw:	260mA @ 12V AC/DC 150mA @ 24V AC/DC
Static Strength:	1,500 Lbs
Dynamic Strength:	70 Ft-lbs
Mode:	Field Selectable, Fail Safe/Fail Secure (Fire Rated in Fail Secure Mode Only)
Operation:	AC - Buzz DC - Silent
Endurance:	1,500,000 Cycles (Factory Tested) 250,000 Cycles (UL Verified)
Duty:	Continuous
Latch Projection:	5/8" - 3/4" (16mm - 19mm)
Fire Rating:	90 Minutes (UL Verified)

STRIKES

CX-ED1410	Grade 1 ANSI fire-rated electric strike, 12/24V AC/DC, fail safe/fail secure operation
CX-ED1410-BK	As above, with all-black finish faceplate (BHMA 622, US19)

ACCESSORIES

CUTTING JIGS (FOR 1/4" COLLET AND A 1/8" ROUTER BIT)

CX-JIG3 For CX-ED1410 Strike

MARKING TEMPLATE

CX-STR-TMPKIT Electric Strike Marking Template Kit (See page 10 for details)



CX-JIG3

ANSI STRIKE FACEPLATES

CX-ED1079 & CX-ED2079 FACEPLATE OPTIONS

INCLUDED IN PACKAGE			OPTIONAL FACEPLATE
CX-ESP1B	CX-ESP3B	CX-ESP4B	CX-ESP2B
ANSI Square	Hollow Metal Door	Wood Door	ANSI Round

CX-ED1379 FACEPLATE OPTIONS

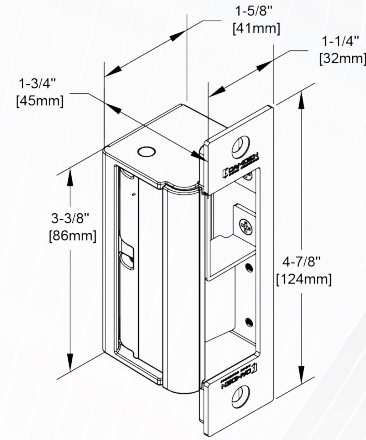
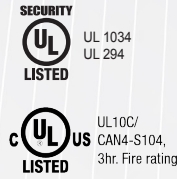
Brushed Aluminum Finish (BHMA 628) / Dark Bronze Finish (BHMA 710)

CX-ESF-1: Aluminum Finish CX-ESF-1BZ: Dark Bronze Finish ANSI Square	CX-ESF-2: Aluminum Finish CX-ESF-2BZ: Dark Bronze Finish ANSI Round	CX-ESF-3: Aluminum Finish CX-ESF-3BZ: Dark Bronze Finish Hollow Metal Frame	CX-ESF-4: Aluminum Finish CX-ESF-4BZ: Dark Bronze Finish Wood Frame



CX-ED1579L:

'ALL IN ONE' GRADE 1 FIRE RATED ELECTRIC STRIKE



FEATURES

- 3/4" (19mm) latch projection (throw)
- Built-in latch monitoring
- Non-handed, LH/RH
- Easy fit connectors for power and monitoring wires

SPECIFICATIONS

Voltage:	12/24V AC/DC
Current Draw:	260mA @ 12V AC/DC 150mA @ 24V AC/DC
Static Strength:	1,500 Lbs
Dynamic Strength:	70 Ft-lbs
Mode:	Fail Safe/Fail Secure Field Selectable
Endurance:	1,500,000 Cycles (Factory Tested) 250,000 Cycles (UL Verified)
Operation:	AC - Buzz DC - Silent
Duty:	Continuous
Latch Bolt Monitor:	SDPT, 100mA @ 24VDC
Mounting:	Non-Handed
Fire Rating:	UL 10C/CAN4-S104 3 Hrs. (Fail Secure Only)

STRIKES

CX-ED1579L Grade 1 'All in One' Fire Rated Strike 12/24V AC/DC, for mortise & cylindrical locksets

FACEPLATES

 (See pg. 11 for dimensions)

INCLUDED IN PACKAGE

- CX-EMP-1** Stainless steel faceplate for Sargent, Schlage and Yale mortise locksets
- CX-EMP-2** Stainless steel faceplate for Arrow, Corbin, and Best mortise locksets
- CX-EMP-3** Stainless steel faceplate for centerline mortise or cylindrical locksets
- CX-EMP-4** Stainless steel faceplate for mortise locksets with deadbolt
- CX-EMP-5** Stainless steel faceplate for all mortise locks that include both latch and deadbolt

ACCESSORIES

CUTTING JIGS (FOR 1/4" COLLECT AND 1/8" ROUTER BIT)

CX-JIG6 For CX-ED1579L Strike, ANSI Faceplate (CX-EMP-3)

MARKING TEMPLATE

CX-STR-TMPKIT Electric Strike Marking Template Kit (See page 10 for details)

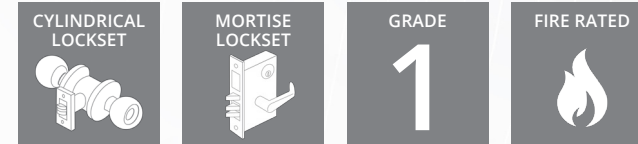


CX-JIG1



CX-ED1689L & CX-ED1799L SERIES:

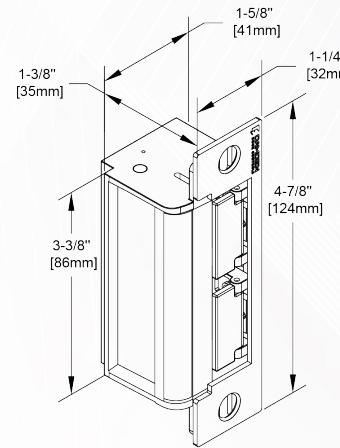
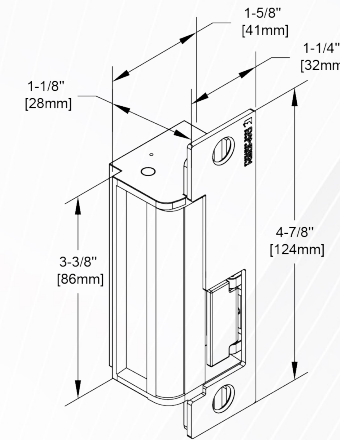
LOW PROFILE & DUAL MONITOR 'ALL IN ONE' FIRE RATED ELECTRIC STRIKES



CX-ED1689L*



CX-ED1799L**



FEATURES

- A range of strike and faceplate packages for latchbolts and deadbolts
- 1 or 2 latch and deadbolt monitoring switches included
- Magnetic door position switch
- Strike power monitor
- Non-handed, left or right

SPECIFICATIONS

Voltage:	12/24V AC/DC
Current Draw:	300mA @ 12V AC/DC 150mA @ 24V AC/DC
Static Strength:	1,500 Lbs
Dynamic Strength:	70 Ft-lbs
Mode:	Selectable Fail Safe/Fail Secure
Endurance:	1,500,000 Cycles (Factory Tested) 250,000 Cycles (UL Verified)
Operation:	AC - Buzz DC - Silent
Duty:	Continuous
Latch Bolt Monitor:	SPST 100mA @ 24VDC, Resistive
Strike Monitor Status:	SPDT 100mA @ 24VDC, Resistive
Dead Bolt Monitor:	CX-ED1799L: SPST 100mA @ 24VDC

ELECTRIC STRIKES WITHOUT FACEPLATES

- CX-ED1689L** Low Profile Strike Body with Latch Monitor Switch
- CX-ED1799L** Strike Body with Latch & Deadbolt Monitor Switches

STRIKE AND MULTI FACEPLATE PACKS

LOW PROFILE

CX-ED1689L-4 Strike w/ Latch Monitor, (4) Faceplates for Latchbolts Includes: CX-EMP100, CX-EMP200, CX-EMP300, CX-EMP400

STANDARD DEPTH DUAL MONITOR

CX-ED1799L-8 Strike w/ 2 Monitors, (8) Faceplate Package for Latchbolts & Deadbolts Includes: CX-EMP100, CX-EMP200, CX-EMP300, CX-EMP400, CX-EMP110, CX-EMP210, CX-EMP310, CX-EMP410

ACCESSORIES

MARKING TEMPLATE

CX-STR-TMPKIT Electric Strike Marking Template Kit (See page 10 for details)



FACEPLATES (See pg. 11 for Dimensions)

ANSI SQUARE METAL DOOR FRAME STAINLESS STEEL FACEPLATES

CX-EMP-100	Centerline applications. Compatible with all cylindrical locksets
CX-EMP-200	Deadlatch positioned above latchbolt. Compatible with Baldwin, PDQ, Marks locksets
CX-EMP-300	Deadlatch positioned above latch. Compatible with Sargent 8100 / 7700, Schlage, Yale 8700 locksets
CX-EMP-400	Deadlatch positioned below the latchbolt. Compatible with Corbin Russwin, Falcon, Sargent 7800 locksets
CX-EMP-110	Deadbolt used for night latch function only. Compatible with Marks, Omnia, PDQ, Arrow, Accurate locksets
CX-EMP-210	Deadlatch positioned below the latchbolt. Compatible with Corbin Russwin, Best 45 / 47, Falcon, Sargent 7800 / 8200 / 9200 locksets
CX-EMP-310	Deadbolt used for night latch function only. Compatible with Sargent 7700 / 8100, Yale 8700 locksets
CX-EMP-410	Used for 1" deadbolt and no latch. Compatible with Marks, Baldwin, Arrow, PDQ, Omnia locksets

WOOD DOOR FRAME STAINLESS STEEL FACEPLATES

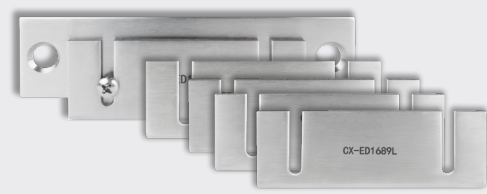
CX-EMP-100W	Deadbolt used for night latch function only. Compatible with Marks, Omnia, PDQ, Arrow, Accurate locksets
CX-EMP-110W	Centerline applications. Compatible with all cylindrical locksets
CX-EMP-400W	Deadlatch positioned above the latch bolt. Compatible with all cylindrical locksets

ANSI SQUARE METAL DOOR FRAME ALL-BLACK FINISH FACEPLATES (BHMA 622, US19)

CX-EMP-100-BK	Centerline applications. Compatible with all cylindrical locksets
CX-EMP-200-BK	Deadlatch positioned above latchbolt. Compatible with Baldwin, PDQ, Marks locksets
CX-EMP-300-BK	Deadlatch positioned above latch. Compatible with Sargent 8100 / 7700, Schlage, Yale 8700 locksets
CX-EMP-400-BK	Deadlatch positioned below the latchbolt. Compatible with Corbin Russwin, Falcon, Sargent 7800 locksets
CX-EMP-110-BK	Deadbolt used for night latch function only. Compatible with Marks, Omnia, PDQ, Arrow, Accurate locksets
CX-EMP-210-BK	Deadlatch positioned below the latchbolt. Compatible with Corbin Russwin, Best 45 / 47, Falcon, Sargent 7800 / 8200 / 9200 locksets
CX-EMP-310-BK	Deadbolt used for night latch function only. Compatible with Sargent 7700 / 8100, Yale 8700 locksets
CX-EMP-410-BK	Used for 1" deadbolt and no latch. Compatible with Marks, Baldwin, Arrow, PDQ, Omnia locksets

CAMDEN'S STRIKE MARKING TEMPLATES MAKE INSTALLATION A BREEZE!

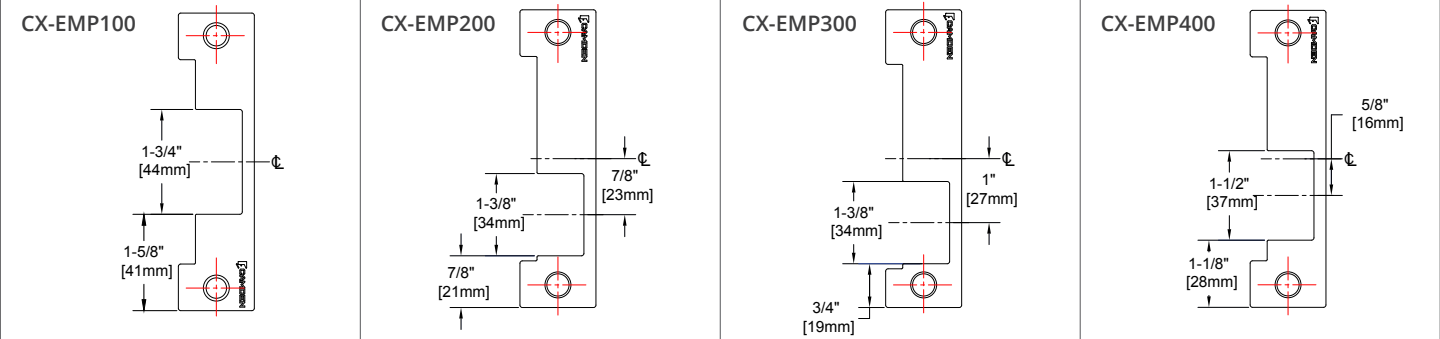
Strike marking template kit, CX-STR-TMPKIT, includes a set of 5 heavy-duty metal templates for Camden's entire range of strikes. This includes templates for Grade 1 and 2 ANSI strikes, an ANSI fire-rated strike, an ANSI storefront strike, and an all-in-one mortise strike. They are conveniently packaged in a branded zipper pouch, complete with a screwdriver and marking pencil!



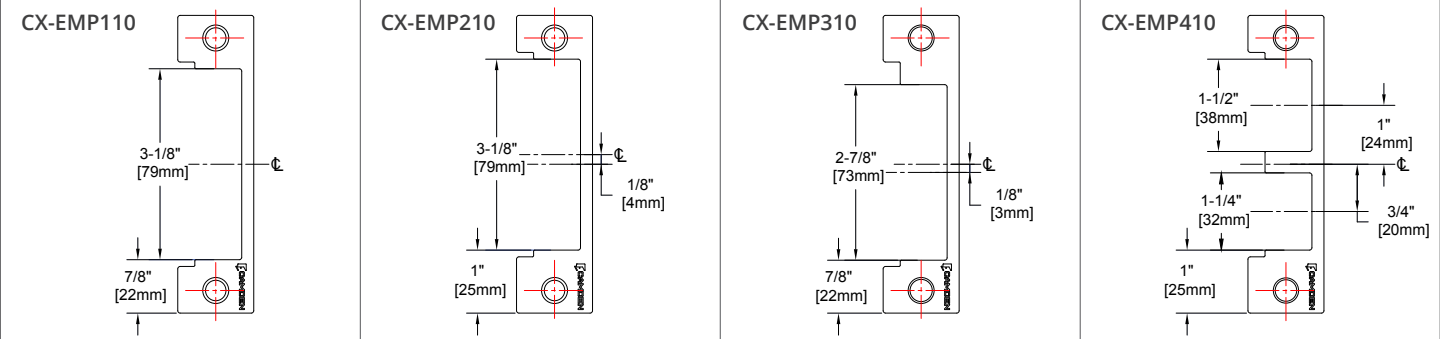
'ALL IN ONE' STRIKE FACEPLATES

CX-ED1689L & CX-ED1799L FACEPLATE OPTIONS

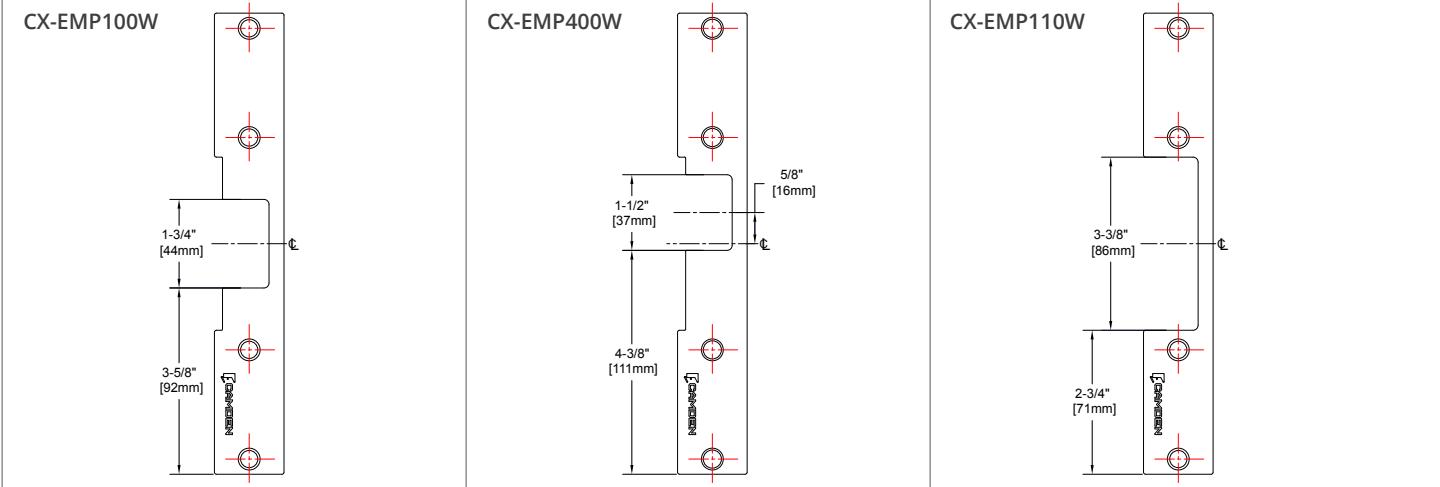
METAL DOOR FRAME FACEPLATES (ADD '-BK' TO FACEPLATE MODEL NUMBER FOR BLACK FACEPLATE OPTION, BHMA 622, US19)



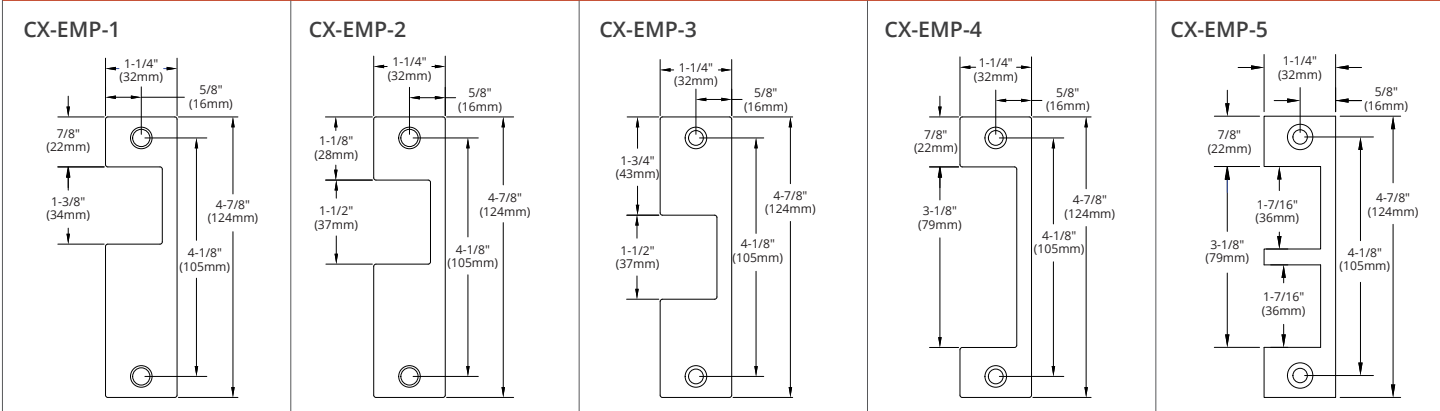
METAL DOOR FRAME FACEPLATES FOR CX-ED1799L



WOOD DOOR FRAME FACEPLATES

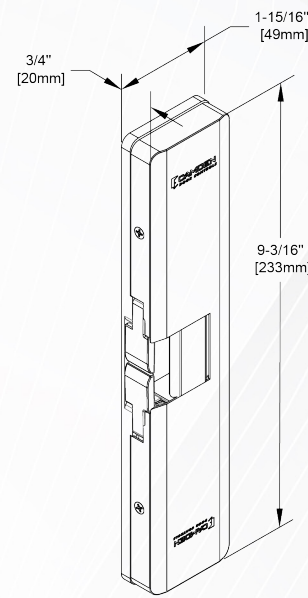
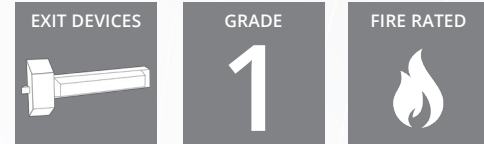


CX-ED1579 FACEPLATE OPTIONS



CX-EPD1289L SERIES:

3/4" 'UNIVERSAL' GRADE 1 FIRE RATED RIM STRIKES WITH PRELOAD



FEATURES

- 'No Cut' surface mount RIM strike for Pullman latches
- Patented design operates with up to 15 lbs of preload pressure
- 3/4" latch projection
- Metal mounting jig included for easy installation
- Horizontal adjustment, spacer plate available
- Removable latch monitoring switch included
- Non-handed, left or right

SPECIFICATIONS

Voltage:	12/24V AC/DC
Current Draw:	560mA @ 12V AC/DC 280mA @ 24V AC/DC
Strength:	Static: 1,500 lbs Dynamic: 70 Ft-lbs
Mode:	Fail Safe/Fail Secure
Operation:	AC - Buzz DC - Silent
Endurance:	1,000,000 Cycles (Factory Tested) 250,000 Cycles (UL Verified)
Duty:	Continuous
Preload (Fail Secure Only):	15 lbs
Mechanical Adjustment:	Strike Body
Latch Projection:	3/4"
Latch Bolt Monitor:	SPDT, 100mA @ 24VDC Resistive
Fire Rating:	UL 10C/CAN4-S104 3 Hrs. (Fail Secure)

STRIKES

CX-EPD1289L	Surface mount Grade 1 RIM strike with preload, 12/24V AC/DC, fail safe/fail secure, w/ 'plug-in' latch monitor assembly and metal mounting jig
CX-EPD1289L-BK	All-black finish, Surface mount Grade 1 RIM strike with preload, 12/24V AC/DC, fail safe/fail secure, w/ 'plug-in' latch monitor assembly and metal mounting jig

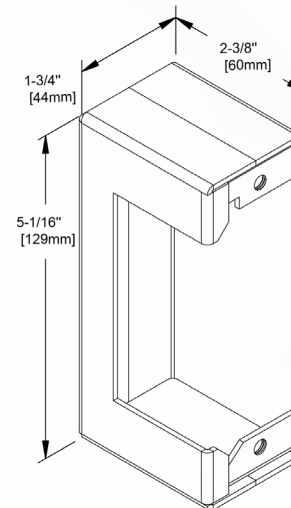
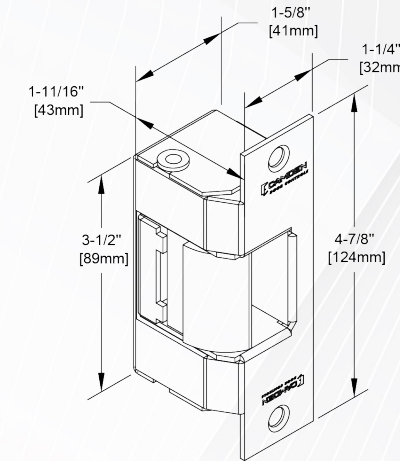
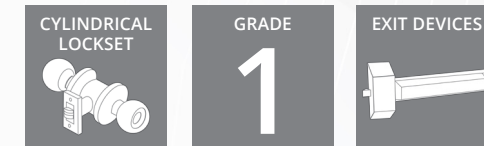
SPACER PLATE

CX-EPD1289-SPC	1/8" Spacer plate for CX-EPD1289L surface mount RIM strike
-----------------------	--



CX-ED1959 SERIES:

OUTDOOR RATED ELECTRIC STRIKES



Metal Mounting Box

FEATURES

- UL Grade 1 strike for exterior doors & gates
- Heavy-duty stainless-steel construction with integrated ANSI square faceplate
- Metal surface mount box included
- 7/8" Opening for latch & mortise locksets
- Easy fit connectors

SPECIFICATIONS

Voltage:	12/24VDC
Current Draw:	280mA @ 12VDC 140mA @ 24VDC
Static Strength:	1,500 lbs
Dynamic Strength:	70 Ft-lbs
Mode:	Selectable Fail Safe/Fail Secure
Endurance:	1,000,000 Cycles (Factory Tested) 250,000 Cycles (UL Verified)
Latch Opening:	1-9/16" x 7/8" (40mm x 22mm)
Duty:	Continuous

STRIKES

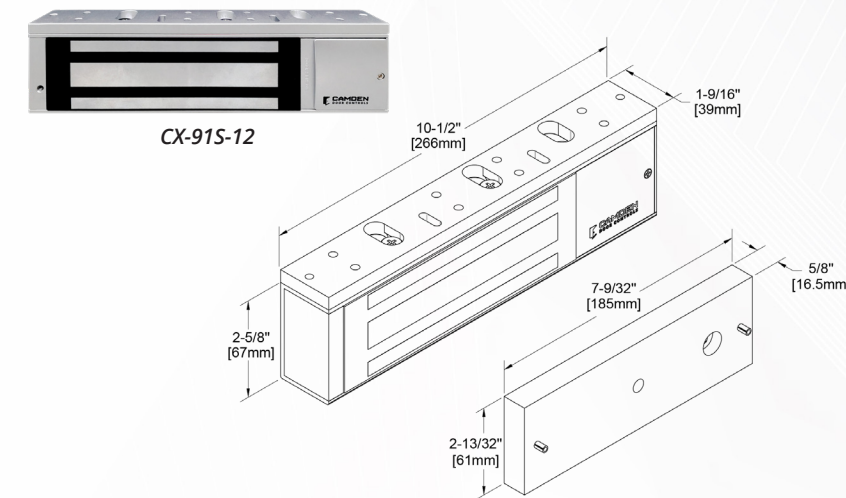
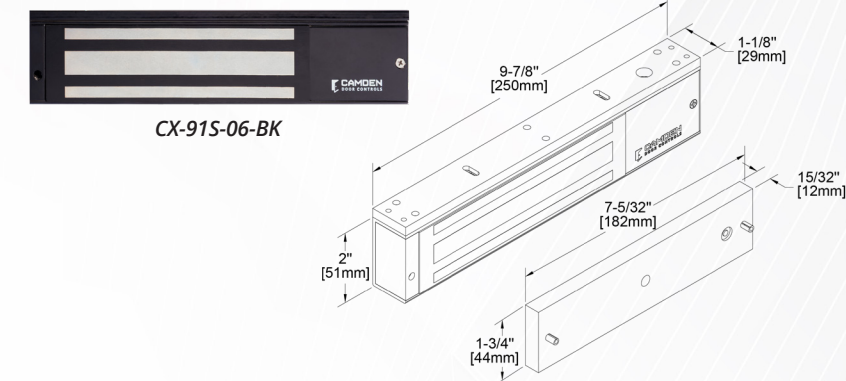
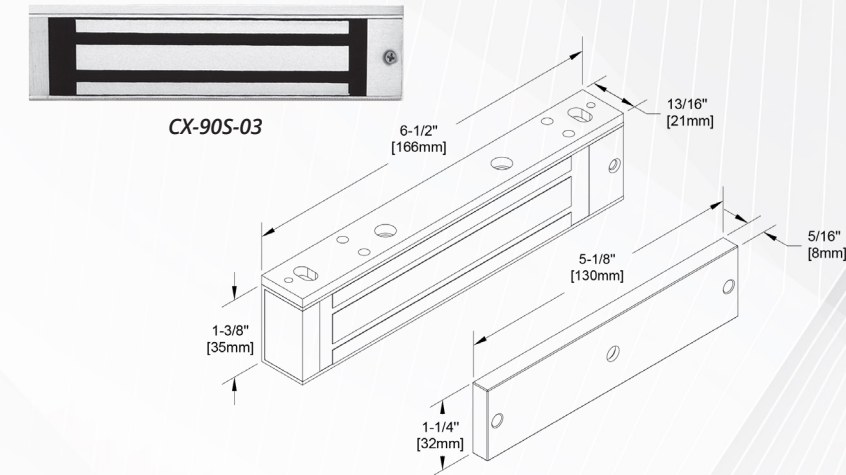
CX-ED1959-MB	Outdoor rated Grade 1 strike for exterior doors and gates, designed for use with cylindrical & centerline mortise locksets. Supplied with metal mounting box.
CX-ED1959RM-MB	Outdoor rated Grade 1 strike for use with RIM exit devices, with standard or Pullman latches. Supplied with metal mounting box.





MAGNETIC LOCKS

CX-90 / 91 SERIES: SINGLE DOOR MAGNETIC LOCKS



FEATURES

- Weather and vandal resistant construction proven over thousands of installations
- Compatible with all access / egress systems
- On board MOV power surge protection prevents damage to the magnetic lock
- A range of mounting brackets and spacers available

SPECIFICATIONS

Voltage:	12/24 VDC
Current Draw:	CX-90 Series: 360mA @ 12VDC 180mA @ 24VDC CX-91S-06 Series: 480mA @ 12VDC 240mA @ 24VDC CX-91S-12 Series: 420mA @ 12VDC 210mA @ 24VDC
Temp Range:	32° F - 131° F (0°C to 55°C)
Contact Rating:	TDS Models Only Bond Sensor: 2A @ 24VDC Door Status Switch: 0.5A @ 28V AC/DC
Time Delay:	TDS Models Only: 5 - 25 Seconds
Endurance:	250,000 Cycle
Static Strength:	CX-91S-06 Series: 600 lbs (Factory Tested) 500 lbs (UL Verified) CX-91S-12 Series: 1,200 lbs (Factory Tested) 1000 lbs (UL Verified)
Dynamic Strength:	CX-91S-06 Series: 50 Ft-lb CX-91S-12 Series: 70 Ft-lb

MODELS

300 LBS	
CX-90M-03	300 lbs Mortise Mount Single Door
CX-90S-03	300 lbs Surface Mount Single Door
600 LBS	
CX-91M-06	600 lbs Mortise Mount Single Door - Basic
CX-91M-06TLS	600 lbs Mortise Mount Single Door - With Adjustable Timer, Lock Sensor/Relay
CX-91S-06*	600 lbs Surface Mount Single Door - Basic
CX-91S-06TDS*	600 lbs Surface Mount Single Door - With Adjustable Timer, Door Status Switch, Lock Sensor / Relay & LED
CX-91S-06-BK	600 lbs Surface Mount Single Door - Basic - all-black finish
CX-91S-06TDS-BK	600 lbs Surface Mount Single Door - With adjustable timer, door status switch, lock sensor, relay & LED - all-black finish
1,200 LBS	
CX-91S-12*	1,200 lbs Surface Mount Single Door - Basic
CX-91S-12TDS*	1,200 lbs Surface Mount Single Door - With Adjustable Timer, Door Status Switch, Lock Sensor / Relay & LED
CX-91S-12-BK	1200 lbs Surface Mount Single Door - Basic - all-black finish
CX-91S-12TDS-BK	1200 lbs Surface Mount Single Door - With adjustable timer, door status switch, lock sensor, relay & LED - all-black finish

SCAN ME



CX-92S SERIES: DOUBLE DOOR MAGNETIC LOCKS



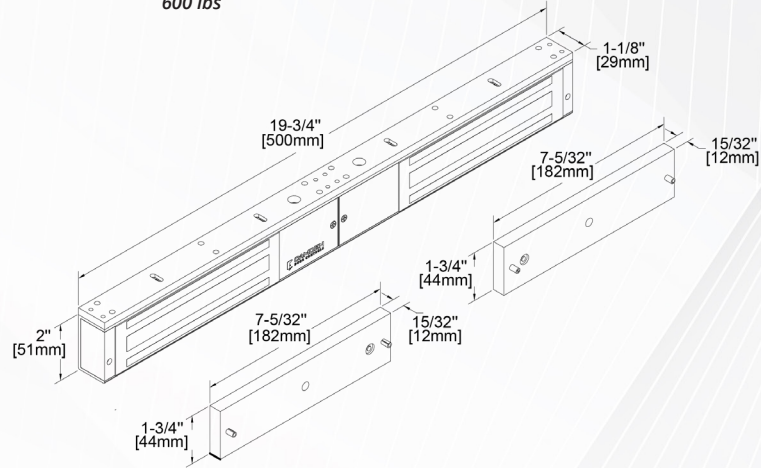
SECURITY
UL 1034 / UL 294
Standard for
Burglary-Resistant
Electric Locking
Mechanisms



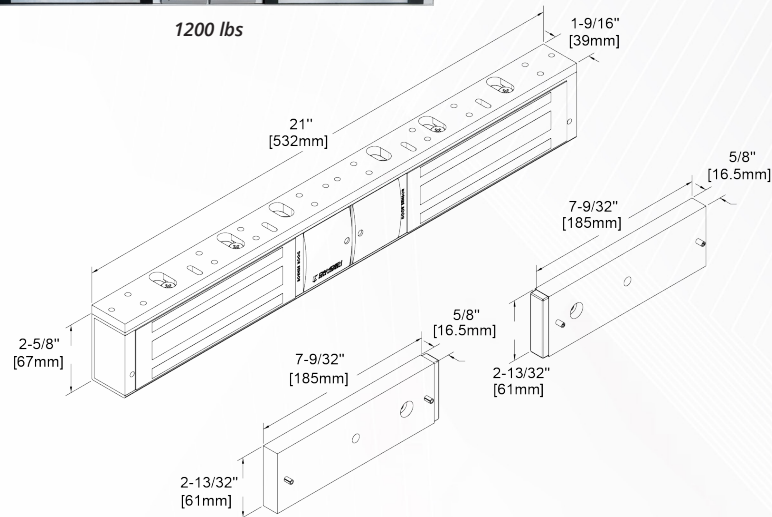
ULC S533-15
Standard for
Access and Egress



600 lbs



1200 lbs



FEATURES

- Weather and vandal resistant construction proven over thousands of installations
- Compatible with all access / egress systems
- On board MOV power surge protection prevents damage to the magnetic lock
- A range of mounting brackets and spacers available

SPECIFICATIONS

Voltage:	12/24 VDC
Current Draw:	CX-92S-06 TDS: 2 x 510mA @ 12VDC 2 x 285mA @ 24VDC CX-92S-12 TDS: 2 x 500mA @ 12VDC 2 x 265mA @ 24VDC
Temp Range:	32° F - 131°F (0°C to 55°C)
Contact Rating:	TDS Models Only Bond Sensor: 2A @ 24VDC Door Status Switch: 0.5A @ 28V AC/DC
Time Delay:	TDS Models Only: 5-25 Seconds
Endurance:	250,000 Cycle
Static Strength:	CX-92S-06 TDS: 2 x 600 lbs (Factory Tested) 2 x 500 lbs (UL Verified) CX-92S-12 TDS: 2 x 1,200 lbs (Factory Tested) 2 x 1000 lbs (UL Verified)
Dynamic Strength:	CX-92S-06 TDS: 50 Ft-lb x 2 CX-92S-12 TDS: 70 Ft-lb x 2

MODELS

600 LBS	
CX-92S-06	600 lbs Surface Mount Double Door Maglock - Basic
CX-92S-06TDS	600 lbs Surface Mount Double Door Maglock - With Adjustable Timer, Door Status Switch, Lock Sensor, Relay & LED
CX-92S-06-BK	600 lbs Surface Mount Double Door - Basic - all-black finish
CX-92S-06TDS-BK	600 lbs Surface Mount Double Door - With adjustable timer, door status switch, lock sensor, relay & LED - all-black finish
1,200 LBS	
CX-92S-12*	1,200 lbs Surface Mount Double Door Maglock - Basic
CX-92S-12TDS*	1,200 lbs Surface Mount Double Door Maglock - With Adjustable Timer, Door Status Switch, Lock Sensor, Relay & LED
CX-92S-12-BK	1200 lbs Surface Mount Double Door - Basic - All-black finish
CX-92S-12TDS-BK	1200 lbs Surface Mount Double Door - With adjustable timer, door status switch, lock sensor, relay & LED - all-black finish

CX-91S / 92S SERIES: MOUNTING ACCESSORIES

SINGLE DOOR MODELS

BRACKETS	
CX-MA0610	L bracket for 600 lbs magnetic lock
CX-MA0613	LZ bracket for 600 lbs magnetic lock
CX-MA1210	L bracket for 1,200 lbs magnetic lock
CX-MA1213	LZ bracket for 1,200 lbs magnetic lock
SPACER BARS	
CX-MA0614-38	3/8" spacer bar for 600 lbs magnetic lock
CX-MA0614-12	1/2" spacer bar for 600 lbs magnetic lock
CX-MA0614-58	5/8" spacer bar for 600 lbs magnetic lock
CX-MA1214-38	3/8" spacer bar for 1,200 lbs magnetic lock
CX-MA1214-12	1/2" spacer bar for 1,200 lbs magnetic lock
CX-MA1214-58	5/8" spacer bar for 1,200 lbs magnetic lock

ARMATURE / MOUNTING KITS

CX-MA0612	Armature housing for 600 lbs magnetic lock
CX-MA1212	Armature housing for 1,200 lbs magnetic lock
CX-MA1215-95	Split armatures (2) for 1,200 lbs magnetic lock 3/8" (9.5mm)
CX-MA1215-16	Split armatures (2) for 1,200 lbs magnetic lock 5/8" (16mm)

ARMATURE / MOUNTING KITS

CX-MA0611	Glass (1/2" thick) door mounting kit for 600 lbs magnetic lock
CX-MA1211	Glass (1/2" thick) door mounting kit for 1,200 lbs magnetic lock

DOUBLE DOOR MODELS

BRACKETS	
CX-MA1210D	L bracket for 1,200 lbs magnetic lock
CX-MA1213D	LZ bracket for 1,200 lbs magnetic lock
SPACER BARS	
CX-MA1214-38D	3/8" spacer bar for 1,200 lbs magnetic lock
CX-MA1214-12D	1/2" spacer bar for 1,200 lbs magnetic lock
CX-MA1214-58D	5/8" spacer bar for 1,200 lbs magnetic lock



L Bracket



LZ Bracket



Spacer Bar



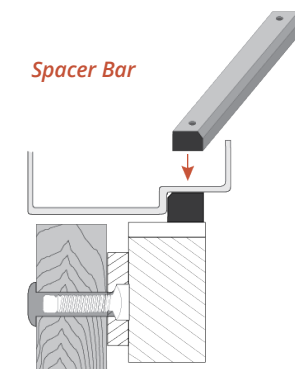
Armature



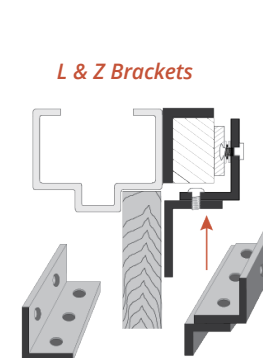
Glass Mounting Kit



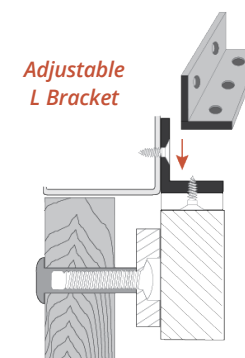
Split Armature



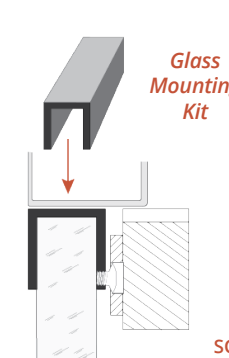
Spacer Bar



L & Z Brackets



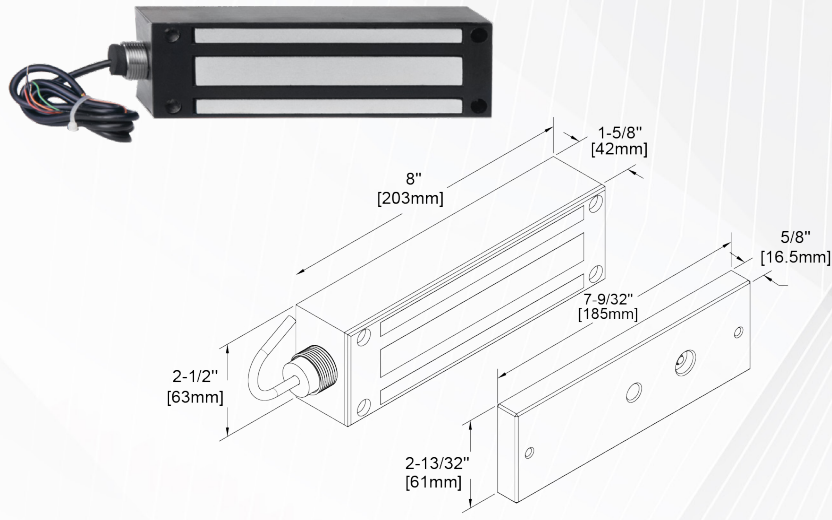
Adjustable
L Bracket



Glass
Mounting
Kit



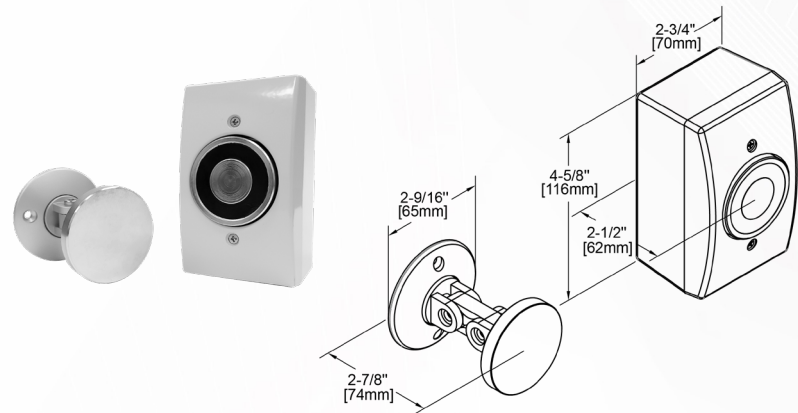
CX-94 SERIES: GATE LOCK



FEATURES

- Compatible with all access / egress systems
- Conduit fitting for weather resistant installation
- On board MOV power surge protection prevents damage to the magnetic lock
- Built-in lock sensor and relay

CX-95S-DH: MAGNETIC DOOR HOLDER



FEATURES

- Armature plate adjusts to door alignment
- Up to 35 lbs (16 kg) holding force
- Used for door release in public, industrial and commercial applications

SPECIFICATIONS

Voltage:	12/24 VDC
Current Draw:	500mA @ 12VDC 250mA @ 24VDC
Temp Range:	5F - 122F (-15°C to 50°C)
Contact Rating:	Bond Sensor: 1A @ 30VDC

MODELS

CX-94S-12LS	1,200 lbs Surface mount gate lock with lock sensor & relay
--------------------	--



SPECIFICATIONS

Voltage:	12/24V AC/DC, 120V AC
Current Draw:	55mA @ 12VAC 57mA @ 12VDC, 32mA @ 24VAC 34mA @ 12VDC, 30mA @ 120VAC
Static Holding Force:	12V AC/DC: Up to 30 lbs 24V AC/DC: Up to 35 lbs 120V AC: Up to 18 lbs
Mount Options:	Surface or Flush Mount

MODELS

CX-95S-DH	Magnetic Door Holder Surface/Flush Mount
------------------	--

EXTENSION BARS

CX-95S-3E	3" Magnetic Door Holder Extension Bar
CX-95S-7E	7" Magnetic Door Holder Extension Bar

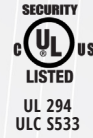


MAGNETIC LOCK CROSS REFERENCE CHART

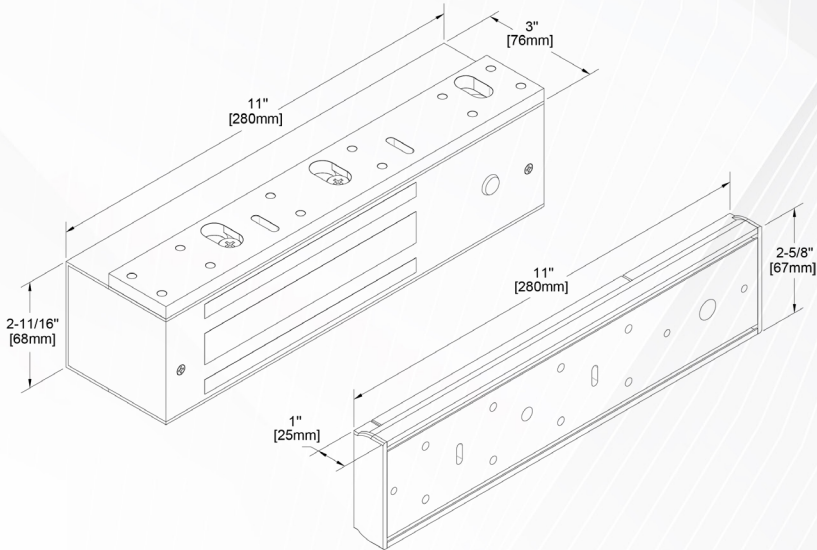
	CAMDEN	RCI	SECURITRON	SCHLAGE	SDC	DYNALOCK	ROFU	ALARM CONTROLS
300 lbs Surface Mount	CX-90S-03	8375	VM300	N/A	1583 E300	N/A	8003S	300S
300 lbs Mortise Mount	CX-90M-03	8365	N/A	N/A	N/A	N/A	8003M	N/A
600 lbs Surface Mount	CX-91S-06	8371	M38	40 SERIES	1581	2511	8005	600S
600 lbs Surface Mount w/ adj. Timer/Lock Sensor & LED	CX-91S-06TDS	8371-DSS/SCS	M38DLS	M420P+ MBS+DPS+RTD	1581-TDBL E600	2511-DYNLED	8005X001	600Lb
600 lbs Mortise Mount	CX-91M-06	8360	M34R	320M	1591	2600	8000	N/A
1200 lbs Surface Mount	CX-91S-12	8310	M68	70 SERIES	1571	2011	8011LC	1200S
1200 lbs Surface Mount w/ adj. Timer/Lock Sensor & LED	CX-91S-12TDS	8310-DSS/SCS	M68DLS	N/A	1571-TDBL E1200	2011-VOPLED	8011-002	1200Lb
1200 lbs Surface Mount Double Mag Lock	CX-92S-12	8320	DM62	72 SERIES	1572	2022	N/A	1200D
1200 lbs Surface Mount Double Mag Lock w/ adj. Timer/Lock Sensor & LED	CX-92S-12TDS	8320-2DSS/SCS	DM62BD	N/A	1572-TDBC	2022VOP2LED2	8022-002	1200DLb
1200 lbs Gate Lock w/ Lock Sensor	CX-94S-12LS	8380	M62FG	M490G	1575	2013-DYN	8040-002	1200WD

Note: Specifications are subject to change without notice.

CX-DE1200 SERIES: DELAYED EGRESS MAGNETIC LOCKS



Building & Fire Life Safety Code Compliant:
IBC International Building Code
NFPA 101 Life Safety Code
NFPA 1, UFC Uniform Fire Code
CBC California Building Code
BOCA National Building Code
Chicago Building Code



FEATURES

- Voice annunciator & progressive LED count-down timer
- Choice of sensor activation:
 - Door motion
 - Door exit device with momentary N/O contact
 - Push bar with momentary N/O contact
- Auto / manual start-up on power restore
- Vandal resistant proximity trigger sensor
- Auto sensing power input with polarity protection
- Anti-Passback / Auto Re-Lock

SPECIFICATIONS

Voltage:	12/24VDC +/- (Auto Sensing)
Current Draw:	600mA @ 12VDC 350mA @ 24VDC
Lock Status Relay Rating Max:	30VDC, 2A
Alarm Output Rating Max:	30VDC, 2A
DPS Rating:	Max. 30VDC, 0.1A
Bond Sensor Rating:	Max. CX-DE1200: 30VDC, 2A
ATS Rating:	30VAC / 42.4VDC, 5A (Max.)
Holding Force:	Up to 1,200 lbs (544 kg.)
Operating Temp:	0-55°C (32-131°F)

MODELS

DELAYED EGRESS MAGNETIC LOCK - SINGLE DOOR	
CX-DE1200-N1	Single Maglock, NFPA 101, IBC, IFC, UBC Compliant
CX-DE1200-N2	Single Maglock, NFPA 101, IBC, IFC, UBC, CBC (OSHDP) Compliant
CX-DE1200-N3	Single Maglock, NFPA 101, IBC, IFC, UBC - Fixed 30 sec. exit delay
CX-DE1200-N4	Single Maglock, NFPA 101, IBC, IFC, UBC - Fixed 15 sec. exit delay
CX-DE1200-B1	Single Maglock, BOCA Building Code - Fixed 15 sec. exit delay
CX-DE1200-B2	Single Maglock, BOCA Building Code - Fixed 30 sec. exit delay
CX-DE1200-B3	Single Maglock, City of Chicago Building Code

DELAYED EGRESS MAGNETIC LOCK - DOUBLE DOOR	
CX-DE1220-N1	Single & Tandem Maglock, NFPA 101, IBC, IFC, UBC Compliant
CX-DE1220-N2	Single & Tandem Maglock, NFPA 101, IBC, IFC, UBC, CBC (OSHDP) Compliant
CX-DE1220-N3	Single & Tandem Maglock, NFPA 101, IBC, IFC, UBC - Fixed 30 sec. exit delay
CX-DE1220-N4	Single & Tandem Maglock, NFPA 101, IBC, IFC, UBC - Fixed 15 sec. exit delay
CX-DE1220-B1	Single & Tandem Maglock, BOCA Building Code - Fixed 15 sec. exit delay
CX-DE1220-B2	Single & Tandem Maglock, BOCA Building Code - Fixed 30 sec. exit delay
CX-DE1200-B3	Single & Tandem Maglock, City of Chicago Building Code

MOUNTING ACCESSORIES	
CX-DE1214-38	3/8" Spacer Bar
CX-DE1214-58	5/8" Spacer Bar
CX-DE1215	1" x 1-1/2" L Bracket
CX-DE1216	1-1/2" x 1-1/2" L Bracket
CX-DE1217	2" L Bracket

SYSTEM ACCESSORIES

CX-DE50250	Remote annunciator for audio and visual distinction, stainless steel faceplate has a piezo and tri-color LED
CX-DESPK	Remote speaker station for audio and visual distinction, 3 LED color states and 8-ohm speaker for remote messaging
CX-DESPK15FM	Flush Mount, external 15W audio speaker station, non-illuminated
CX-DESPK15SM	Surface Mount, external 15W audio speaker station, non-illuminated
CX-DESPK15/54i	Surface Mount, external 15W audio speaker station, with Aura™ PCB feature displaying 3 colors for designated states
CX-DESPK15/55i	Flush Mount, external 15W audio speaker station, with Aura™ PCB feature displaying 3 colors for designated states
CX-6057A027	Delayed egress sign, raised lettering and braille language for the visually impaired

DELAYED EGRESS MAGNETIC LOCK OPERATION

Delayed egress magnetic locks are available in a range of factory default operating modes. Select the model for your application based upon the NFPA, BOCA, and operation requirements of your local authority having jurisdiction.

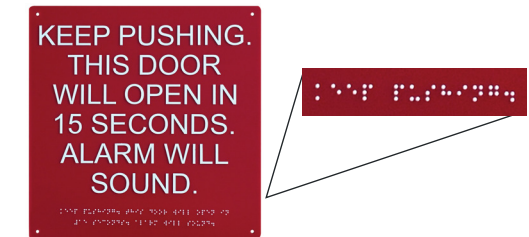
MODELS	DELAY RELEASE TIME (SECONDS)		NUISANCE DELAY (SECONDS)		RESET AFTER ALARM		LOCK STATUS ON POWER-UP	
	FIXED	SELECTABLE	FIXED	SELECTABLE	FIXED	SELECTABLE	FIXED	SELECTABLE
CX-DE1200/1220-N1		15 or 30		1 or 2		Manual		Locked / Unlocked
CX-DE1200/1220-N2	15			0 or 1		Manual		Locked / Unlocked
CX-DE1200/1220-N3	30			0 or 1		Manual		Locked / Unlocked
CX-DE1200/1220-N4	15			0 or 1		Manual	Unlocked	
CX-DE1200/1220-B1	15			0 or 3	Auto / Manual			Locked / Unlocked
CX-DE1200/1220-B2	30			0 or 3	Auto / Manual			Locked / Unlocked
CX-DE1200/1220-B3	15		0		Auto / Manual			Locked / Unlocked

N# = NFPA COMPLIANCE B # = BOCA COMPLIANCE

DELAYED EGRESS MAGNETIC LOCK ACCESSORIES









Signs Included with CX-DE1200 / CX-DE1220
4.5" x 13" (11cm x 33cm)



Optional braille sign
60-57A027

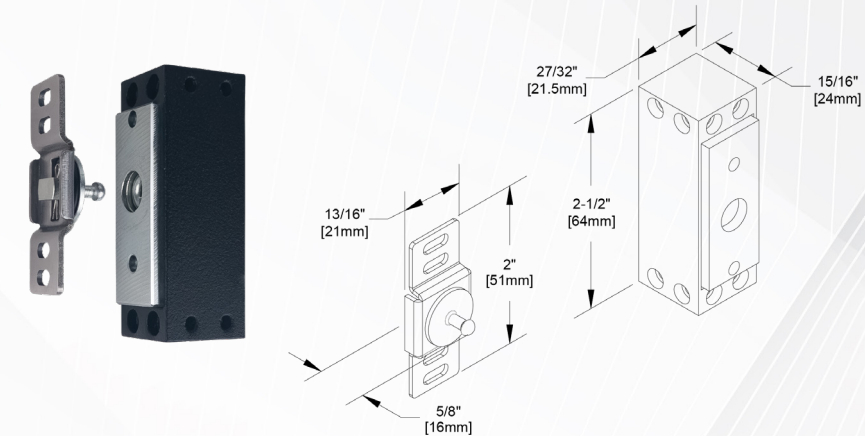
CX-DE1200 SERIES:

DELAYED EGRESS MAGNETIC LOCKS COMPARISON CHART

MANUFACTURER	CAMDEN	SDC	ASSA ABLOY - SECURITRON	DYNALOCK	DORMAKABA RCI	ALLEGION LOCKNETICS SCHLAGE
PHOTO						
MODEL	CX-DE1200	1511S	DEM680E	3101C-G2	DE8310S	M490DEP
VOICE ALERTS	English/Spanish/French	English/Spanish/French	No	No	No	No
DOUBLE DOOR	Yes (CX-DE1220)	Yes	No	Yes	Yes	Yes
HOLDING FORCE	1200 lbs	1650 lbs	1200 lbs	1500 lbs	1200 lbs	1300 lbs
VOLTAGE	12/24 VDC	12/24 VDC	12/24 VDC	12 or 24 VDC	12-24 VDC	12 or 24 VDC
LED COUNTDOWN DISPLAY	Yes	Yes	No	No	No	No
AUTO CALIBRATION DOOR MOVEMENT	No	No	Yes	No	No	No
EXTERNAL ALARM DRY CONTACT	2 Amp @ 30 VDC	1 Amp @ 30 VDC	1 Amp @ 24 VDC	1 Amp @ 24 V AC/DC	DPDT, 2 Amp @ 30 VDC	No
CONFIGURABLE NUISANCE DELAY (SEC)	0, 1 or 3	0, 1 or 2	0, 1, 2 or 3	1 or 3	0, 1, 2, 3	0, 1, 2, 3
CONFIGURABLE ALARM DELAYS (SEC)	15 or 30	15 or 30	15 or 30	15 or 30	15 or 30	15
DOOR PROP OPEN ALARM (SEC)	Yes	Yes	Yes	No	Yes	Yes
BYPASS DELAY TIMES	Yes	Yes	Yes	Yes	Yes	N/A
BYPASS EXPIRATION ALARM	No	No	Yes	No	No	No
ADJUSTABLE RELOCK TIME (SEC)	Fixed 30	15 or 30	Fixed 30	No	Fixed 30	0 to 30
CERTIFICATIONS	UL294, ULCS533	UL294, UL10B, UL10C, ULCS104, ULCS533, CSFM	UL294, UL10C CSFM, CAN/ULCS104	UL294, CSFM	CA/ULCS104, UL10C, UL294, CAN/ULCS533	UL10C, CUL, CSFM, UL294
COMPLIANCE	NFPA, BOCA2017, IBC, Chicago	NFPA, BOCA1999, IBC, Chicago	NFPA, BOCA2017, Chicago	NFPA, BOC 1999, Chicago	NFPA, IBC, BOCA1999	NFPA, BOCA1999
ANTI-TAMPER UNMOUNTING	No	Anti-tamper Plugs	No	No	Screws Prevent Allen Wrench Removal	Spanner Wrench
DIMENSIONS	11" x 3" x 3"	11" x 2.75" x 2.625"	11.5" x 3.125" x 2.5"	11" x 4" x 2.75"	11.75" x 2.875" x 2.125"	12.5" x 3" x 3.125"
WARRANTY	5-Year	5-Year	Limited Lifetime	Limited Lifetime	10-Year Limited	Limited Lifetime

CABINET LOCKS

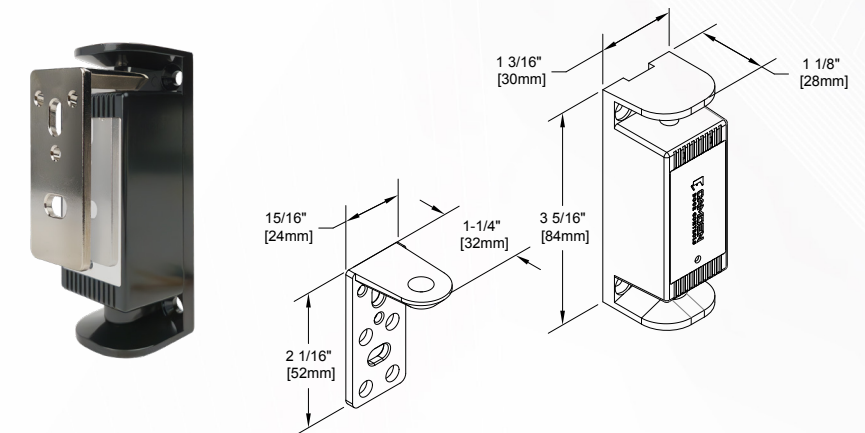
CX-EPD0009: MAGNETIC CABINET LOCK



FEATURES

- Front or side mounting for use with swing or sliding doors and drawers
- Armature plate adjusts to door alignment
- 440 lbs (200 kg) holding force
- Water resistant for indoor and outdoor use
- 5 lbs preload

CX-ED0010: ELECTROMECHANICAL CABINET LOCK



FEATURES

- Side mounting for use with swing or sliding doors and drawers
- Armature plate adjusts to door alignment
- 440 lbs (200 kg) holding force
- Flexibility of operating in fail-safe or fail-secure modes

SPECIFICATIONS

Power Input:	12/24VDC
Current Draw:	60mA @ 12VDC 110mA @ 24VDC
Static Strength:	440 lbs (200 kg) Holding Force
Preload:	5 lbs
Endurance:	250,000 Cycles
Operation Mode:	Fail Safe
Temperature Rating:	-4°F to 140°F (-20°C to 60°C)
Installation Options:	Front Mount, Side Mount

MODELS

CX-EPD0009	Magnetic Cabinet Lock
------------	-----------------------

BRACKETS

CX-CL-LZBRK	L&Z Bracket for use with CX-EPD0009
-------------	-------------------------------------



CX-CL-LZBRK



SPECIFICATIONS

Power Input:	12/24VDC
Current Draw:	280mA @ 12VDC 140mA @ 24VDC
Static Strength:	440 lbs (200 kg) Holding Force
Endurance:	250,000 Cycles
Operation Mode:	Fail Safe/Fail Secure
Temperature Rating:	-4°F to 140°F (-20°C to 60°C)
Installation Options:	Front Mount
Door Status Sensor:	200mA @ 30VDC (Max) Form C
Lock Status Sensor:	1A @ 30V DC (Max)

MODELS

CX-ED0010	Electromechanical Cabinet Lock
-----------	--------------------------------





BEST QUALITY

Camden is an ISO-9001 certified manufacturer with North American product design and manufacturing. Camden's dedication to product quality results in a manufacturing defect rate of less than 1%.



EXCLUSIVE PRODUCTS

Camden leads the market with no-touch switches, wireless door activation, restroom control (privacy) systems, and electronic locking solutions that are not available from any other manufacturers.



FASTEST DELIVERY

Our excellence in supply chain management gives Camden an industry-leading order fulfillment rate and the ability to ship 90% of orders within two business days!



Opening New Doors to Innovation, Quality, and Support!