

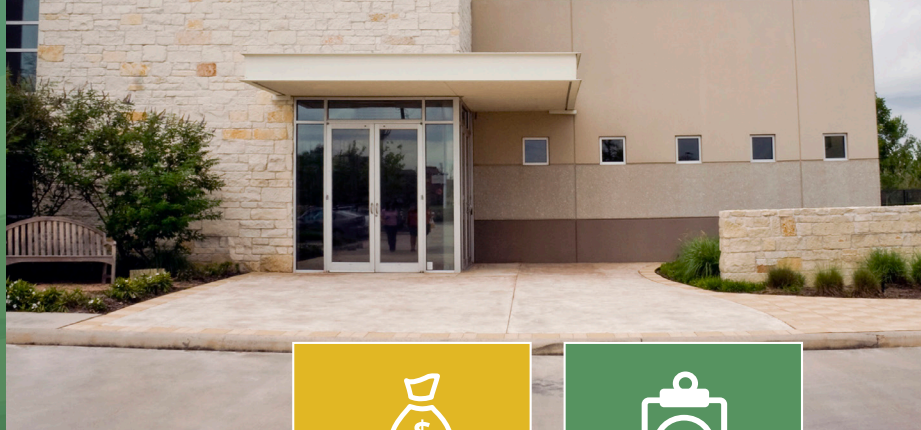
CV-550SPK Weather / Vandal Resistant Keypad & Proximity Reader (V3)



Camden's Next Generation CV-550SPK offers a complete single-door access control solution for high-traffic applications that demand weather and vandal resistant performance over years of operation.

The sturdy, cast metal housing and illuminated keypad with proximity reader supports up to 20,000 users, making it ideal for professional offices, schools, commercial and industrial applications.

The 26 to 66-bit Wiegand input or output capability allows the CV550SPK to also operate as a credential authentication device, while the variety of configuration options make it compatible with all access systems that use Wiegand card readers..



BEST VALUE



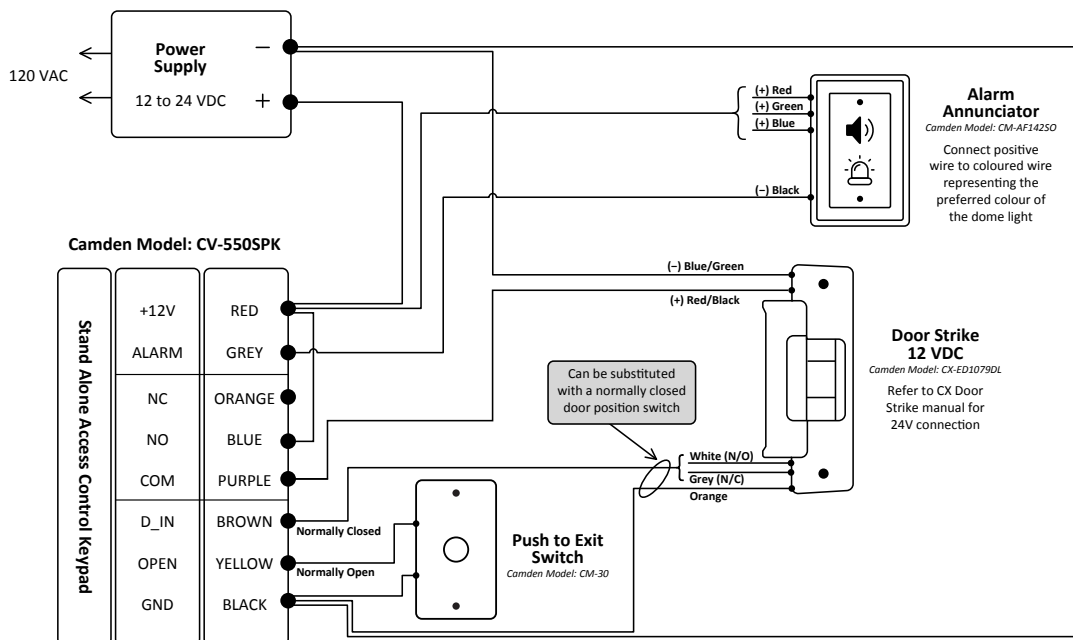
BEST QUALITY

Features

- IP68 Rated Water/Dust Resistance
- Back-Lit Keypad for Enhanced Visibility
- Sturdy and Vandal Proof Zinc Alloy Electroplated Case with Rain/Privacy Shield
- 20,000 Users - Supports Card, Pin, & Card + Pin
- Adjustable Door Output Time, Alarm Time & Door Open Time
- Doorbell using pound (#) key
- Batch Enrollment and Easy Programming
- Alarm conditions; tamper, door forced open & ajar
- Keypad with Built-In Proximity Reader
- 7 Types of Administrative Cards for Quick & Easy Regular Maintenance
- 3-Year Warranty



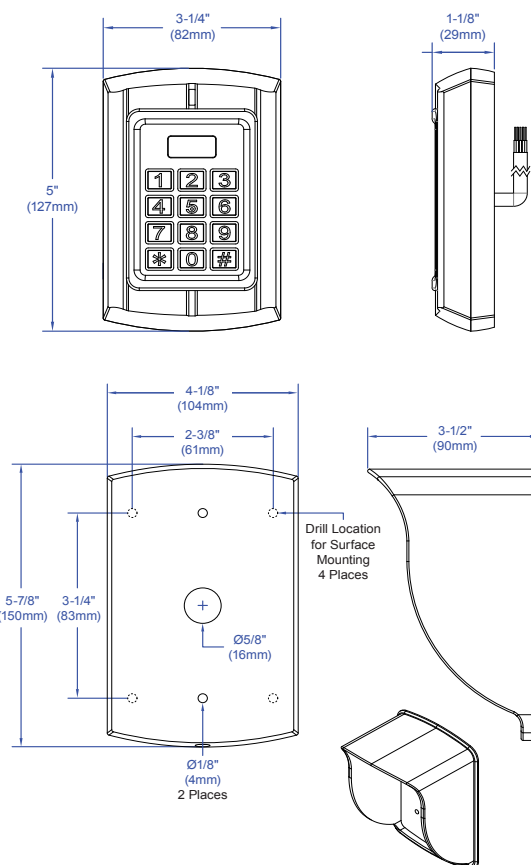
WIRING TO AN ACCESS CONTROL PANEL



SPECIFICATIONS

INPUT POWER:	10 - 28V AC/DC
STANDBY CURRENT:	35 mA (Input VDC12V)
OPERATING CURRENT:	100 mA (Input VDC12V)
WORKING HUMIDITY:	0-95%
WORKING TEMPERATURE:	-40°C - 60°C (-40F - 140F)
ALARM OUTPUT (DIGITAL):	1A @ 30 VDC
LOCK RELAY:	1A @ 30 VDC
READ RANGE:	2" (5 cm)
USERS:	20,000
READER PROXIMITY:	HID / EM
READER BIT PATTERN:	26, 34 or 37 Bit
KEYPAD FORMAT:	22 to 66 Bit Standard, 4 Bit or 8 Bit Burst
IP RATING:	68

DIMENSIONS



COMPATIBLE PROXIMITY CARDS & READERS

CV-CSH:	HID® Supported clam shell proximity card, package of 10
CV-CSH-B:	HID® Supported clam shell proximity card, package of 100
CV-ISH:	HID® Supported ISO proximity card, package of 10
CV-ISH-B:	HID® Supported ISO proximity card, package of 100
CV-KTH:	HID® Supported proximity key fob, package of 25
CV-7400:	HID / AWID Dual Format Reader
CV-CSE:	EM Supported ISO proximity card, package of 10
CV-CSE-B:	EM Supported ISO proximity card, package of 100
CV-KTE:	EM Supported proximity key fob, package of 25

ORDERING INFORMATION

CV-550SPK: Stand-Alone Proximity Reader & Keypad, 1 Relay, 20,000 Users