



## CX-DE1200 Series Delayed Egress Magnetic Lock



**CX-DE1200 Series Single and Double Door delayed egress magnetic locks are designed to provide the best performance and value in healthcare, childcare, retail, and institutional applications.**

The innovative human voice and LED count down timer offers immediate comprehension of status for building occupants. These rugged locks are available in a range of models, with factory default operation, to meet NFPA, BOCA and local AHJ requirements.

The CX-DE1200 is now available with optional system accessories and mounting devices for added versatility.

### Features

- Single and double door models
- Nuisance Delay period 1, 2 or 3 seconds
- Voice annunciator & progressive LED count-down timer
- Choice of sensor activation:
  - Door Motion
  - Door Exit Device with momentary N/O contact
  - Push Bar with momentary N/O contact
- Auto / manual start-up on power restore
- Vandal Resistant proximity trigger sensor
- Auto sensing power input with polarity protection
- Anti-Pass back / Auto Re-Lock
- Available accessories include: sounder, speaker, reset station & mounting devices



## SPECIFICATIONS

VOLTAGE: 12/24 VDC +/- 10% (Auto Sensing)  
 CURRENT DRAW: 600mA / 350mA  
 DPS RATING: 30 VDC, 0.1A (max.)  
 ATS RATING: 30 VAC / 42.4 VDC, 5A (Max.)  
 LOCK STATUS RELAY RATING: 30 VDC, 2A (Max.)  
 ALARM OUTPUT RATING: 30 VDC, 2A (Max.)

BOND SENSOR RATING: **CX-DE1200**: 30 VDC, 2A (Max.)  
 HOLDING FORCE: Up to 1,200 lbs. (544 kg.)  
 TEMPERATURE RANGE: 32°F - 131°F (0°C to 55°C)

### DIMENSIONS:

ARMATURE PLATE: 2-5/8"H x 11"W x 1"D (68mm x 280mm x 25mm)  
 LOCK: 3"H x 11"W x 3"D (76mm x 280mm x 76mm)

MODELS	DELAY RELEASE TIME (SECONDS)		NUISANCE DELAY (SECONDS)		RESET AFTER ALARM		LOCK STATUS ON POWER-UP	
	FIXED	SELECTABLE	FIXED	SELECTABLE	FIXED	SELECTABLE	FIXED	SELECTABLE
CX-DE1200/1220-N1		15 or 30		1 or 2		Manual		Locked / Unlocked
CX-DE1200/1220-N2	15			0 or 1		Manual		Locked / Unlocked
CX-DE1200/1220-N3	30			0 or 1		Manual		Locked / Unlocked
CX-DE1200/1220-N4	15			0 or 1		Manual	Unlocked	
CX-DE1200/1220-B1	15			0 or 3	Auto / Manual			Locked / Unlocked
CX-DE1200/1220-B2	30			0 or 3	Auto / Manual			Locked / Unlocked
CX-DE1200/1220-B3	15		0		Auto / Manual			Locked / Unlocked

**N# = NFPA COMPLIANCE      B# = BOCA COMPLIANCE**

**Local Approval:** Installations must be approved by the Authority Having Jurisdiction (AHJ). Select the operational mode that meets your application and AHJ approval.

## ORDERING INFORMATION

**Delayed Egress Maglocks** (4 wall signs included. See page 4)

### CX-DE1200

Single Door

#### Models:

CX-DE1200-N1, CX-DE1200-N2, CX-DE1200-N3, CX-DE1200-N4,  
 CX-DE1200-B1, CX-DE1200-B2, CX-DE1200-B3



### CX-DE1220

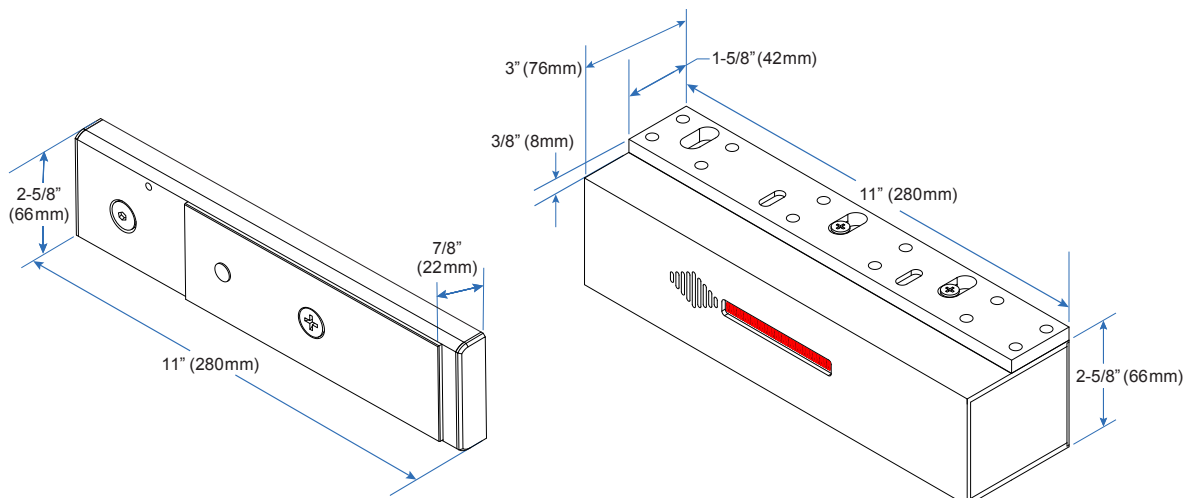
Double Door (Single & Tandem)

#### Models:

CX-DE1220-N1, CX-DE1220-N2,  
 CX-DE1220-N3, CX-DE1220-N4,  
 CX-DE1220-B1, CX-DE1220-B2, CX-DE1220-B3



### DIMENSIONS (CX-DE-1200)



## ORDERING INFORMATION

### Mounting Accessories

**SPACER BARS** - Fills the space between the door stop and header jam of the frame to provide a wide flat surface to mount the magnetic lock.

**L BRACKETS** - Used to mount the magnetic lock to the side of the frame header when the lock cannot be mounted under a header jam of the frame.



**CX-DE1214-38**  
3/8" Spacer Bar



**CX-DE1214-58**  
5/8" Spacer Bar



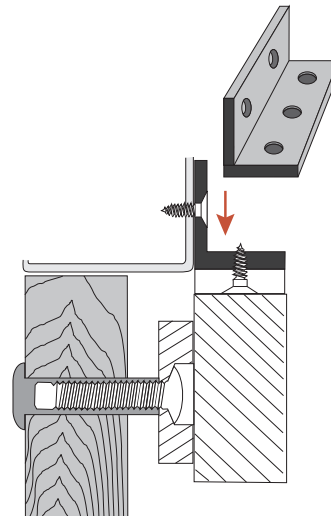
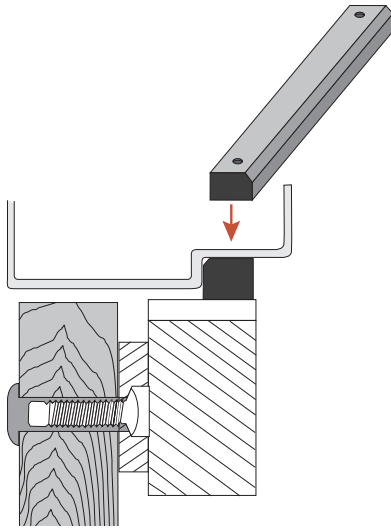
**CX-DE1215**  
1" x 1-1/2" L Bracket



**CX-DE1216**  
1-1/2" x 1-1/2" L Bracket

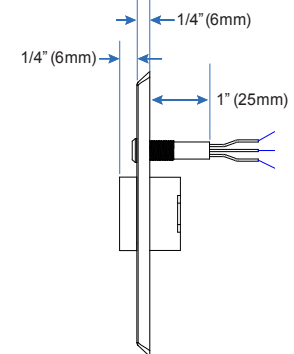
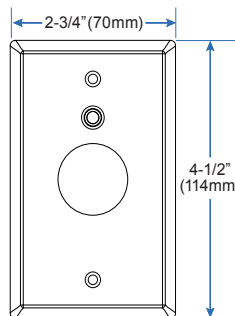
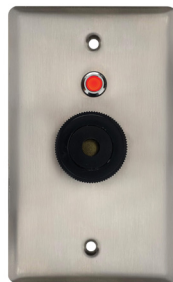


**CX-DE1217**  
2" L Bracket

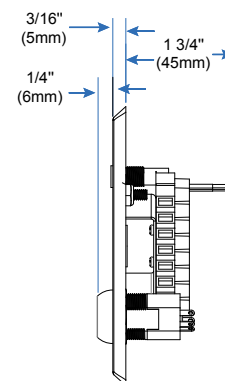
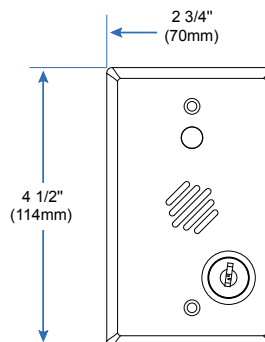


### System Accessories

**CX-DE502SO**  
Remote Annunciator for both audio & visual distinction  
The stainless steel faceplate has a piezo and tri-color LED



**CX-DESPK**  
Remote Speaker Station for both audio & visual distinction  
3 LED color states and 8-ohm speaker for remote messaging



## ORDERING INFORMATION

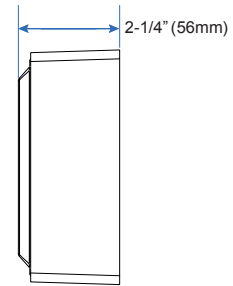
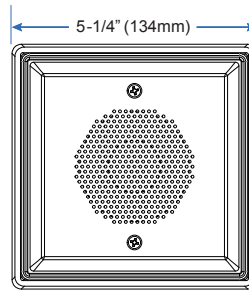
### System Accessories

#### CX-DESPK15/54i

External 15-watt Audio Speaker Station

Surface Mount

Aura™ PCB feature displays  
3 colors for designated states

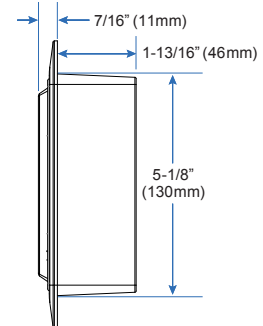
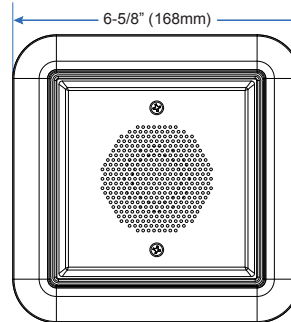


#### CX-DESPK15/55i

External 15-watt Audio Speaker Station

Flush Mount

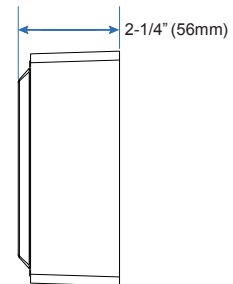
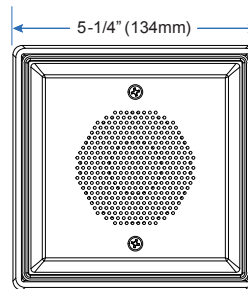
Aura™ PCB feature displays  
3 colors for designated states



#### CX-DESPK15SM

External 15-watt Audio Speaker Station

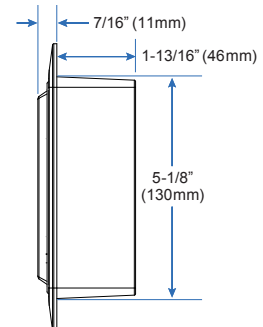
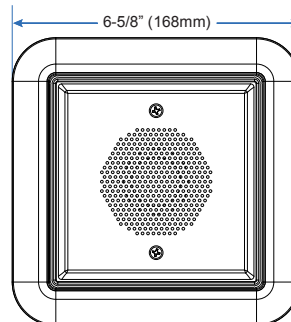
Surface Mount



#### CX-DESPK15FM

External 15-watt Audio Speaker Station

Flush Mount



Included with  
CX-DE1200 / CX-DE1220  
4.5" x 13" (11 cm x 32.8cm)

4 door signs with 15 or 30 second  
delay options

**PUSH UNTIL ALARM  
SOUNDS. DOOR CAN BE  
OPENED IN 15 SECONDS.**

**KEEP PUSHING. THIS DOOR  
WILL OPEN IN 15 SECONDS.  
ALARM WILL SOUND.**

**PUSH UNTIL ALARM  
SOUNDS. DOOR CAN BE  
OPENED IN 30 SECONDS.**

**KEEP PUSHING. THIS DOOR  
WILL OPEN IN 30 SECONDS.  
ALARM WILL SOUND.**

#### 60-57A027

Delayed Egress Sign  
12" x 12" (30.5 cm x 30.5 cm)

Raised lettering and braille written  
language for the visually impaired.

