



## CM-300/310 SERIES RECTANGULAR LED ILLUMINATED EXIT SWITCHES



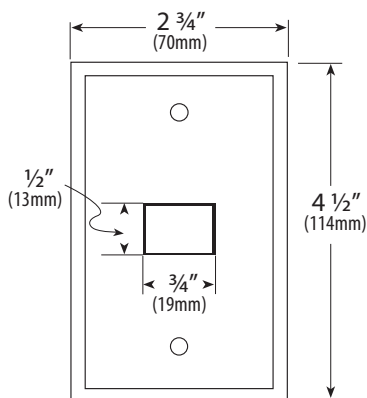
CM-300E



CM-310E



CM-310PTE/  
CM-310EE



CM-300

### FEATURES

- HIGH VISIBILITY, EASY TO OPERATE
- GREEN OR RED RECTANGULAR BUTTONS
- SINGLE GANG OR 1 3/4" WIDE STAINLESS STEEL FACEPLATES
- 12V OR 24V WITH LED BULB
- FAST AND EASY TO INSTALL
- EE MODEL HAS BUILT-IN 30 SECOND TIMER, WITH DOUBLE BREAK CIRCUITRY
- UL 294 COMPLIANT MODELS

### DESCRIPTION

**Camden Door Controls CM-300/310 Series** LED Illuminated Exit Switches are economical illuminated exit controls. Buttons are 1/2" x 3/4" and are available in red or green. They are supplied with a stainless steel faceplate in 1 3/4" or 2 3/4" widths.

The SPDT momentary switch component is UL / CSA approved, rated 3 amps @ 30 VDC. The bulb can run on 12V or 24V DC.

CM-310EE is supplied with a narrow style, stainless steel faceplate. It has an integrated 30 second timer with double break circuitry. As required by code, the double break circuit design ensures power to the maglock will be interrupted by pressing the button, should the timer or request to exit sensor malfunction. Pushing the button initiates the timer, while independently cutting power to a magnetic lock.

### APPLICATION

CM-300 Series Switches are ideal for any area where a high visibility, easy to activate, illuminated switch is required. They can be surface, flush or mullion (door frame) mounted.

Camden illuminated exit switches are designed to control electric locks, electromagnetic locks, electric strikes, automatic doors, and low-energy operators.

They may also be used for shunting, bypassing alarms, request to exit, timed functions, and many other applications.

Model CM-310EE is to be used where double break circuitry is required by code; typically where magnetic locks are installed.

# RECTANGULAR LED ILLUMINATED EXIT SWITCHES

## ARCHITECTS/ENGINEERS SPECIFICATIONS

The LED Illuminated exit switches to be used throughout the site/complex shall be Camden Door Controls CM-300/310 Series Illuminated Exit Switches.

The button shall be 1/2" x 3/4" and designed to be easy to activate. The faceplate shall be constructed of stainless steel, and shall be supplied with stainless steel Torx or snake eye security screws.

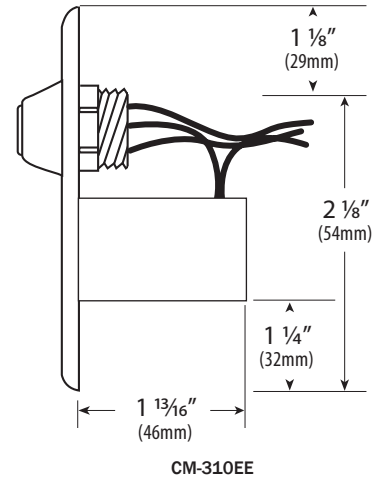
Rating for all electrical contacts shall be a minimum of 3 amps @ 125V AC. The switch used shall be UL 294 compliant and be supplied with color coded leads, and run on either 12V or 24V DC.

Where double break circuitry is required Camden Door Controls CM-310EE shall be used.

## ORDERING INFORMATION

All CM-300 LED Illuminated Exit Switches come with a 1/2" x 3/4" exit button (green or red), mounted on a stainless steel faceplate, 2 socket/slotted screws, and 2 tamperproof screws.

MODEL	DESCRIPTION
<b>SINGLE GANG 2 3/4"</b>	
CM-300	SPRING RETURN, SPDT MOMENTARY, BLANK FACEPLATE
CM-300E	'EXIT' BUTTON GRAPHICS, SPDT MOMENTARY
CM-300PTE*	1/2" X 3/4" RECTANGULAR BUTTON, SINGLE GANG FACEPLATE, 'PUSH TO EXIT'
<b>NARROW STYLE 1 3/4"</b>	
CM-310	SPRING RETURN, SPDT MOMENTARY, BLANK FACEPLATE
CM-310E	'EXIT' BUTTON GRAPHICS, SPDT MOMENTARY
CM-310PTE*	1/2" X 3/4" RECTANGULAR BUTTON, NARROW GANG FACEPLATE, 'PUSH TO EXIT'
<b>NARROW STYLE, WITH 30 SECOND TIMER</b>	
CM-310EE*	SPRING RETURN, WITH 30 SECOND INTEGRATED TIMER 'PUSH TO EXIT'



### FOR FACEPLATE GRAPHICS, ADD:

(ADD SUFFIX TO ANY 'BLANK' MODEL)

- /B 'PUSH TO OPEN'
- /3F 'POUSSEZ POUR OUVRIR'
- /3S 'EMPUJE PARA ABRIR'
- /8 'PUSH TO LOCK'

### FOR BUTTON GRAPHICS, ADD:

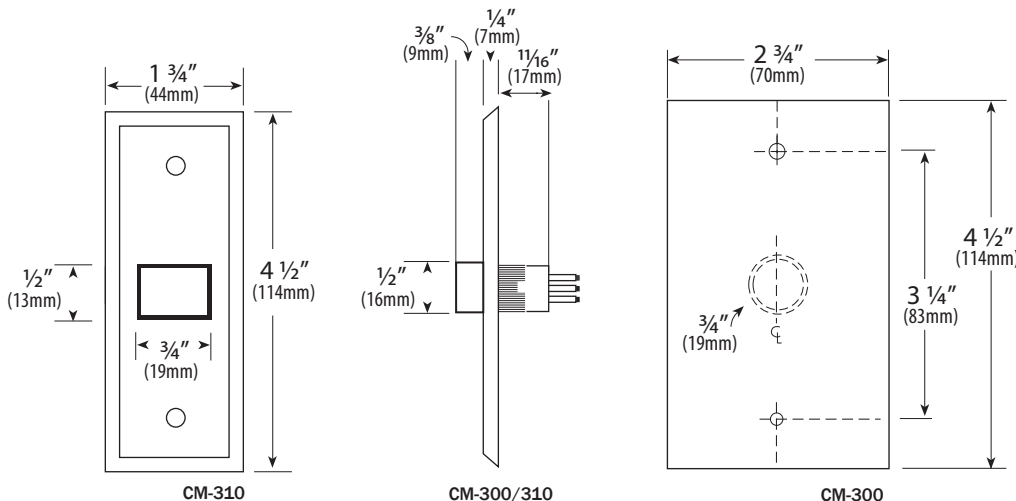
(ADD SUFFIX TO ANY 'BLANK' MODEL)

- 'E' 'EXIT' ENGRAVED, PAINT FILLED
- 'S' 'SORTIE' ENGRAVED, PAINT FILLED
- 'SA' 'SALIDA' ENGRAVED, PAINT FILLED

### FOR BUTTON COLOR, ADD:

(ADD SUFFIX TO ANY MODEL.  
IF NOT SELECTED, RED WILL BE SUPPLIED)

- 'R' RED BUTTON (ALL SERIES)
- 'G' GREEN BUTTON (ALL SERIES)



\* **NOTE:**  
UL 294 STANDARD

