

CM-3000 Series Illuminated Switches

INSTALLATION INSTRUCTIONS

THIS PACKAGE INCLUDES:

- (1) 1 5/8" (40 mm) diameter illuminated mushroom button
- (1) Red, or green 12V LED
- (2) 1/4" (6.4 mm) thick brushed aluminum faceplate
- (1) Parts kit
- (1) Normally open and/or Normally closed contact block



1. GENERAL DESCRIPTION

Camden Door Controls CM-3000 Series Exit Switches are heavy duty push-buttons designed for industrial and commercial applications, where illumination is required. Buttons are 1 5/8" (40mm) in diameter, and are available in red or green (other colors on request). The faceplate is 1/4" thick brushed aluminum, in 1 3/4" or 2 3/4" widths. Optional duranodic (US40) finish is also available.

CM-3000 Series switches utilize UL listed switch components. Finished models comply with UL61058 Standard for Switches. Rated 10 amps @ 30 VDC, either momentary or maintained operation.

2. SPECIFICATIONS

Voltage	12V or 24V Dc
Contact Rating	6A @ 30V Dc
Switch Type	Momentary or Maintained
Standard Finish	Brushed Aluminum
Dimensions	<p>CM-3000: 4 1/2" H x 2 3/4" W x 1 3/4" D (114 mm x 70 mm x 44 mm)</p> <p>CM-3100: 4 1/2" H x 1 3/4" W x 1 3/4" D- (114 mm x 44 mm x 44 mm)</p>

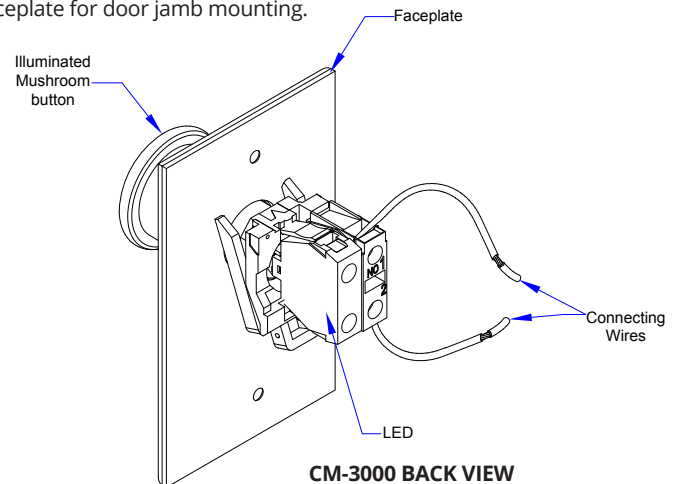
3. APPLICATION

Camden illuminated Exit Switches are ideal for high traffic areas such as building front entrances and exits, as well as institutions, such as hospitals where an illuminated button is required. They can be surface, flush, or mullion (narrow stile) mounted.

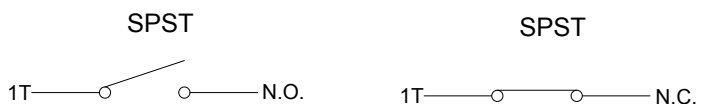
Camden Illuminated Exit switches are designed to control electric locks, electro-magnetic locks, electric strikes, automatic doors, and handicap operators. They may also be used for automatic doors, shunting, bypassing alarms, request-to-exit, timed functions, and many other applications.

4. INSTALLATION

CM-3000, CM-3010, CM-3020, CM-3030, CM-3040 and CM-3050 are supplied with a brushed aluminum faceplate that can be easily mounted to a single gang electrical box. CM-3100, CM-3110, CM-3120, CM-3130, CM-3140 and CM-3150 are supplied with 1-3/4" brushed aluminum faceplate for door jamb mounting.



5. WIRING



Momentary: When the switch is pressed the current pole will change to the opposite state until released.

Maintained: When the switch is pressed it will provide the opposite pole until the button is pressed again

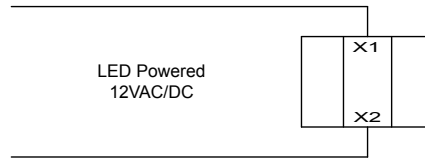
WIRING LAYOUT & COLOR CODING		
SWITCH TYPE	SPST N.O.	SPST N.C.
COMMON	BLACK	BLACK
NORMALLY OPEN	BLACK	
NORMALLY CLOSED		BLACK

CM-3000 SERIES ILLUMINATED SWITCHES

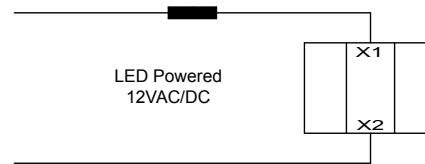
INSTALLATION INSTRUCTIONS

6. LED WIRING

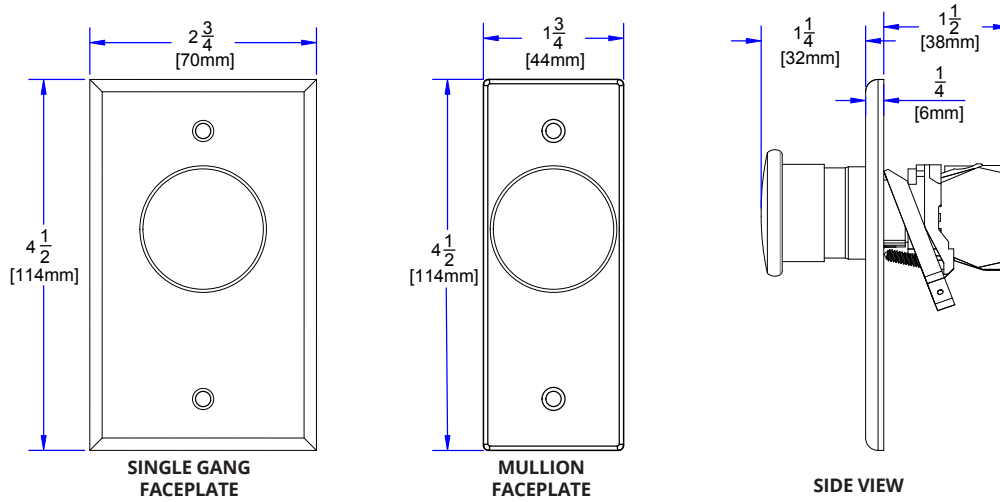
For 12 VDC power connections, please connect your LED power leads directly to the center wiring terminals (X1 and X2) as shown Below.



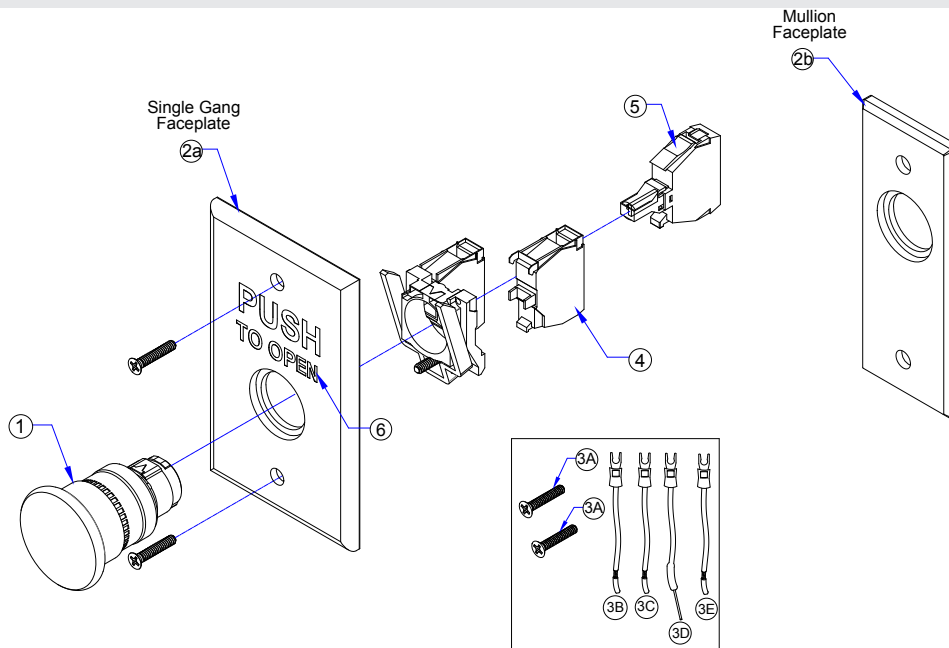
For 24 VDC power connections, please use the supplied resistor in-line with one of the two center wiring terminals (X1 or X2) as shown Below.



7. CM-3000 SERIES FRONT AND SIDE VIEW



8. PARTS INFORMATION



CM-3000 SERIES ILLUMINATED SWITCHES

INSTALLATION INSTRUCTIONS

MODEL NUMBERS				
	MODEL NUMBER		QTY	DESCRIPTION
	SINGLE GANG	MULLION		
	CM-3000	CM-3100	1	SPRING RETURN BUTTON, MOMENTARY, NORMALLY OPEN CONTACT BLOCK
	CM-3010	CM-3110	1	SPRING RETURN BUTTON, MOMENTARY, NORMALLY CLOSED CONTACT BLOCK
	CM-3020	CM-3120	1	SPRING RETURN BUTTON, MOMENTARY, NORMALLY OPEN & NORMALLY CLOSED CONTACT BLOCK
	CM-3030	CM-3130	1	PUSH/PULL BUTTON, MAINTAINED, NORMALLY OPEN CONTACT BLOCK
	CM-3040	CM-3140	1	PUSH/PULL BUTTON, MAINTAINED, NORMALLY CLOSED CONTACT BLOCK
	CM-3050	CM-3150	1	PUSH/PULL BUTTON, MAINTAINED, NORMALLY OPEN & NORMALLY CLOSED CONTACT BLOCK

ORDERING INFORMATION FOR REPLACEMENT PARTS		
ITEM NUMBER	PART NUMBER	DESCRIPTION
1	60-66E000	ILLUMINATED RED MOMENTARY MUSHROOM BUTTON (DIA. 1 5/8")
	60-66E004	ILLUMINATED GREEN MOMENTARY MUSHROOM BUTTON (DIA. 1 5/8")
	60-66E001	ILLUMINATED RED MAINTAINED MUSHROOM BUTTON (DIA. 1 5/8")
	60-66E003	ILLUMINATED GREEN MAINTAINED MUSHROOM BUTTON (DIA. 1 5/8")
2	A 60-41A003	ALUMINUM SINGLE GANG FACE PLATE 4 1/2"H X 2 3/4"W X 1/4"D (114MM X 70MM X 6MM)
	B 60-41A004	ALUMINUM MULLION FACE PLATE 4 1/2"H X 1 3/4"W X 1/4"D (114MM X 44MM X 6MM)

PARTS KIT		
ITEM NUMBER	PART NUMBER	DESCRIPTION
3	FOR N-C CONTACT	(A) 6-32 X 3/4 FLAT HEAD PHILLIPS ZINC PLATED SCREW (B) 6" ORANGE WIRE WITH INSULATED SPADE CONNECTOR (C) 6" GREY WIRE WITH INSULATED SPADE CONNECTOR (D) BLACK WIRE 6" CRIMP ON END WITH 2.2K OHM 1/4 WATTS
	60-34B026	
	FOR N-O CONTACT	(A) 6-32 X 3/4 FLAT HEAD PHILLIPS ZINC PLATED SCREW (B) 6" BLUE WIRE WITH INSULATED SPADE CONNECTOR (C) 6" GREY WIRE WITH INSULATED SPADE CONNECTOR (D) BLACK WIRE 6" CRIMP ON END WITH 2.2K OHM 1/4 WATTS
	60-34B025	
	FOR N-O & N-C CONTACTS	(A) 6-32 X 3/4 FLAT HEAD PHILLIPS ZINC PLATED SCREW (B) 6" ORANGE WIRE WITH INSULATED SPADE CONNECTOR (C) 6" GREY WIRE WITH INSULATED SPADE CONNECTOR (D) BLACK WIRE 6" CRIMP ON END WITH 2.2K OHM 1/4 WATTS (E) 6" BLUE WIRE WITH INSULATED SPADE CONNECTOR
	60-34B024	

INDIVIDUAL CONTACT OPTIONS			
ITEM NUMBER	PART NUMBER	QTY	DESCRIPTION
4	60-66C000	1	NORMALLY OPEN CONTACT BLOCK
	60-66C001	1	NORMALLY CLOSED CONTACT BLOCK
	60-66C002	1	NORMALLY OPEN AND NORMALLY CLOSED CONTACT BLOCK

CM-3000 SERIES ILLUMINATED SWITCHES

INSTALLATION INSTRUCTIONS

LED'S		
ITEM NUMBER	PART NUMBER	DESCRIPTION
5	60-66B004	RED 12V LED
	60-66B005	GREEN 12V LED

FACE PLATE ENGRAVED (IN BLACK) OPTIONS		
ITEM NUMBER	ADD SUFFIX TO MODEL NUMBER	ENGRAVED GRAPHIC DESCRIPTION
6	CM-XXX/2	WHEELCHAIR SYMBOL
	CM-XXX/3	PUSH TO OPEN
	CM-XXX/3F	POUSSEZ POUR OUVRIR
	CM-XXX/3S	EMPUJE PARA ABRIR
	CM-XXX/4	WHEELCHAIR SYMBOL PUSH TO OPEN
	CM-XXX/7	PUSH TO EXIT
	CM-XXX/7F	POUSSEZ POUR SORTIR
	CM-XXX/8	PUSH TO LOCK
	CM-XXX/E	EXIT

COMPATIBLE MOUNTING BOXES		
	PART NUMBER	DESCRIPTION
	CM-3000 SERIES	
	CM-34AL	SURFACE MOUNT BOX WITH STANDARD DEPTH AND THREADED CONDUIT ENTRY. HEAVY DUTY CAST ALUMINUM 2-3/4"H X 4-1/2"W X 1-3/4"D [70MM X 144MM X 44MM]
	CM-66	FLUSH BOX & DRESS PLATE, STANDARD DEPTH BOX WITH 7" X 7" DRESS PLATE HEAVY GAUGE STAINLESS STEEL
	CM-31	SLEEVE COVER FOR STANDARD 2 3/4" X 4 1/4" (69MM X 108MM) SURFACE ELECTRICAL BOX. HEAVY GAUGE STAINLESS STEEL
	CM-CPC1	VANDAL AND WEATHER RESISTANT CLEAR LIFT COVER
	CM-34BL	SINGLE GANG BLACK ABS BOX, SURFACE MOUNT 4 5/8"H X 2 7/8" W X 1 3/4"D (117MM X 73MM X 44MM)
	CM-34D	SURFACE MOUNT BOX WITH EXTRA DEEP. HEAVY DUTY GREY POLYMER 4 1/2"H X 2 3/4"W X 1 3/4"D [114MM X 70MM X 44MM]
	CM-3100 SERIES	
	CM-23D	SURFACE BOX WITH EXTRA DEPTH, FLAME AND IMPACT RESISTANT BLACK POLYMER (ABS) 4 1/2"H X 1 3/4" W X 1 1/2"D [114MM X 44MM X 38MM]