

CX-ED1410 'ANSI' Grade 1 Fire Rated Electric Strike



MORE FLEXIBILITY



BEST VALUE

Camden CX-ED1410 Grade 1 'ANSI' electric strike for UL fire rated doors/ frames with cylindrical locksets, offers the very best electric strike quality and performance.

This fire rated strike is designed to deliver unparalleled application flexibility, with field selectable voltage and fail safe/fail secure operation, over many years of trouble-free service.

Features

- Centerline latch entry, for cylindrical locksets
- UL 90 minute fire and UL 1034 burglary listed
- 3/4" (19mm) latch projection
- Dual voltage 12/24V AC/DC
- ANSI square faceplate included, 4-7/8" x 1-1/4" (124mm x 32mm)
- Field selectable fail safe / fail secure operation
- Trim plate included
- 5 year warranty



SPECIFICATIONS

VOLTAGE:	12/24V AC/DC	LATCH PROJECTION:	5/8" - 3/4" (16mm - 19mm)
CURRENT DRAW:	260mA @ 12V AC/DC 150mA @ 24V AC/DC	MODES:	Field selectable fail safe / fail secure (Fire rated in fail secure mode only)
STATIC HOLD FORCE:	1,500 Lbs.	OPERATION:	AC - Buzz, DC - Silent
DYNAMIC STRENGTH:	70 Ft-Lbs.	DUTY:	Continuous
ENDURANCE:	1,000,000 Cycles (Factory Tested) 250,000 Cycles (UL Verified)	DIMENSIONS (BODY):	3-3/8" L x 1-7/8" W x 1-3/8" D (86mm x 47mm x 35mm)
FIRE RATING:	90 Minutes (UL Verified)		

ORDERING INFORMATION

MODEL

CX-ED1410

Grade 1 'ANSI' fire rated electric strike,
12/24V AC/DC, fail safe/fail secure operation

CX-ED1410-BK

As above, with all-black finish faceplate
(BHMA 622, US19)

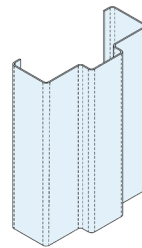
CUTTING JIG (For 1/4" Collet and a 1/8" Router bit)

CX-JIG3

For installing 'ANSI' strikes with 3/4" latch

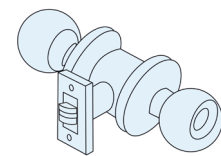
DOOR FRAME TYPE

HOLLOW METAL FRAME

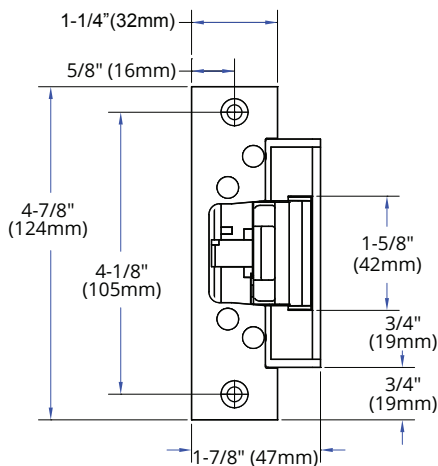


COMPATIBLE LOCKSET

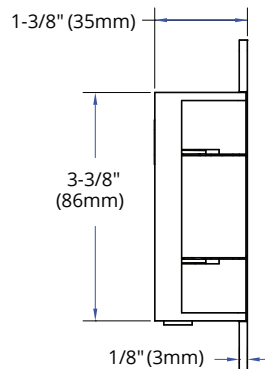
CYLINDRICAL



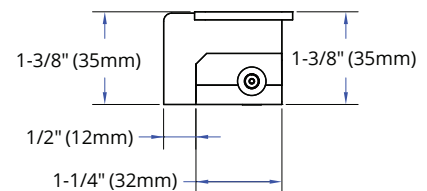
DIMENSIONS



Front View



Side View



Top View



Opening New Doors to Innovation, Quality, and Support!