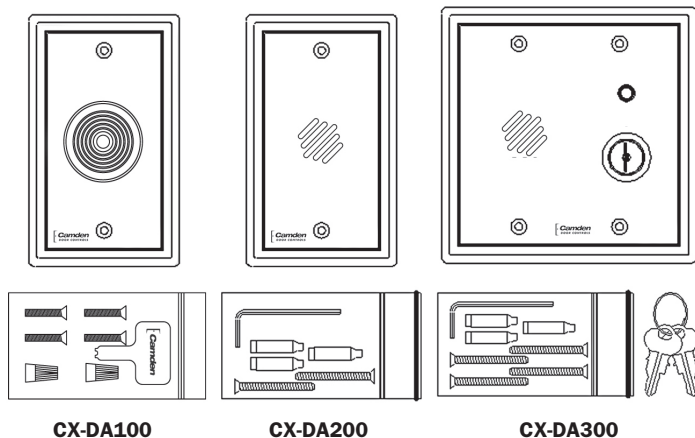


# CX-DA100, CX-DA200 & CX-DA300 Door Prop Alarm Installation Instructions

## CONTENTS

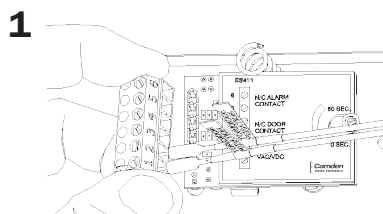


### Operation:

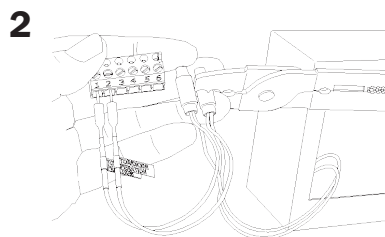
- Provides a unique solution for the security issue of propped/held open doors.
- This unit will be typically mounted near the monitored door.
- When the door is held open beyond the set Alarm Time (0-60 seconds) the local audible alarm sounds and Alarm Relay changes state, to alert that the door should be closed.
- Loss of power is indicated by the Alarm Relay.
- When closed, the alarm will silence.

### Specifications:

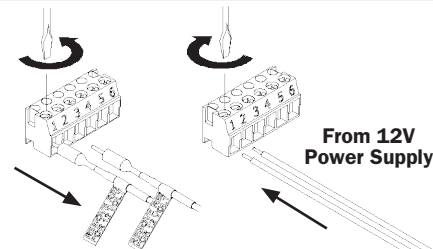
- Voltage: CX-DA100: 12 - 24 VDC  
CX-DA-200/300: 12/24V AC/DC
- Current Draw: CX-DA100: 18 mA  
CX-DA-200/300: 70mA
- Input: CX-DA200/300: (1) N/C
- Output: CX-DA200/300: (1) N/C SPST
- Contact Rating: CX-DA200/300: 500 mA @ 30 VDC
- Sounder: CX-DA100: 95 db.  
CX-DA-200/300: 80 db.
- CX-DA100/200: Fits Single Gang 2.5" Depth Back Box
- CX-DA300: Fits Double Gang 2.5" Depth Back Box (not included)



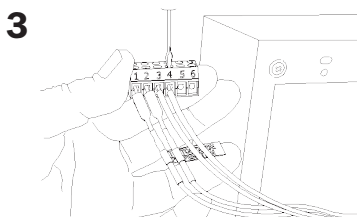
- Remove Terminal Block for easy wiring access



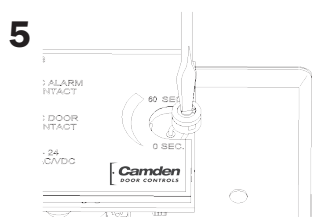
- Connect 24 VAC/DC to leads with diodes
- **Not polarity sensitive**
- Crimp Connectors included



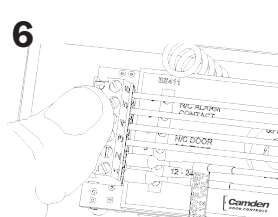
- For 12 VAC/DC operation, remove Diode leads from terminal block and connect 12V wiring to screw terminals 1 & 2



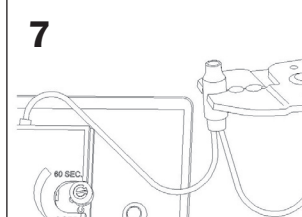
- Connect N/C Door Contact to terminals 3 & 4



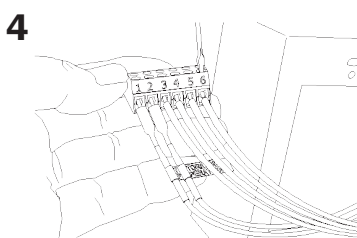
- Set Alarm Delay Timer (0-60 Sec.)



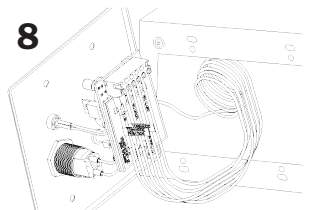
- Reinstall Terminal Block



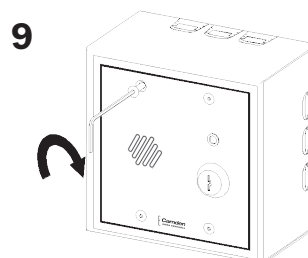
- Attach Grounding wire



- Connect remote Alarm monitoring equipment to terminals 5 & 6



- Install into back box

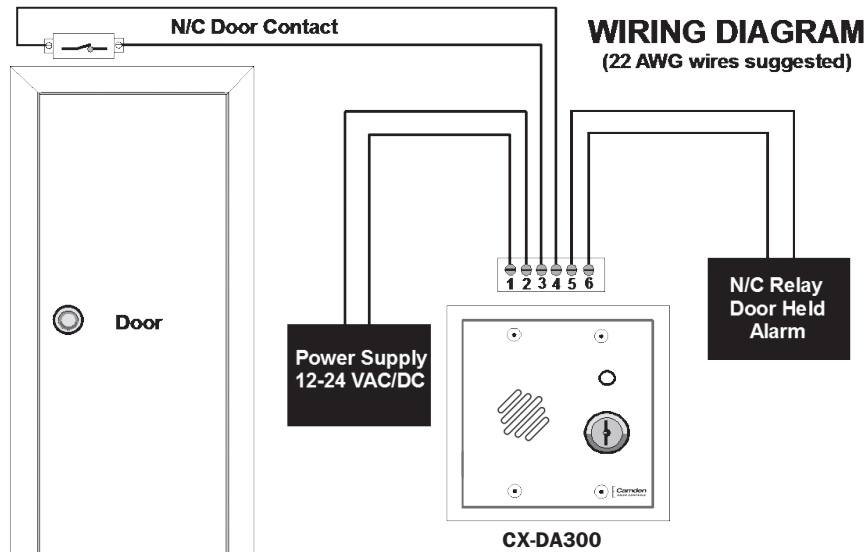
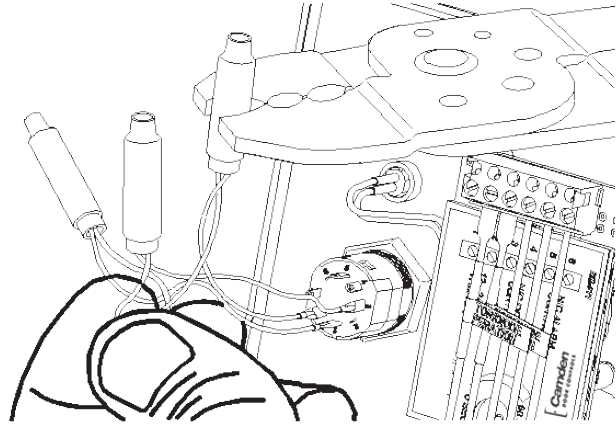


- Use included screws to secure plate
- Test unit for proper operation

## CX-DA100, CX-DA200 and 300 Door Prop Alarm Installation Instructions

### CX-DA300 Key Switch

Key Switches are prewired to Bypass the unit and light the LED when turned OFF.



## WARRANTY

The Camden Door Controls Product you have purchased is warranted to be free of defects in material and workmanship when properly installed, used and maintained according to instructions. Camden Door Controls will, for a period of 3 years from the date of purchase, repair or replace any part which, upon our examination, proves to be defective under normal use. Camden Door Controls SHALL NOT BE LIABLE FOR ANY DIRECT, INCIDENTAL OR CONSEQUENTIAL LOSS OR DAMAGE ARISING OUT OF THE FAILURE OF THIS DEVICE.

**Questions? Call us toll-free at 1-877-226-3369**



Push Buttons



Key Pads



Strikes



Magnetic Locks



Key Switches



Relays & Timers



Access Control



5502 Timberlea Blvd.,  
Mississauga, ON Canada  
L4W 2T7

www.camdencontrols.com  
Toll Free: 1.877.226.3369

File: CX-DA100,200 & 300 Installation  
Instructions.indd Rev1  
Revised: June 17, 2014  
Part No: 40-82B156