

# CM-2510 Double Gang Push Plate/Key Switch

## INSTALLATION INSTRUCTIONS

### THIS PACKAGE INCLUDES:

- (1) "All Active" Push Plate
- (1) Parts kit



### 1. GENERAL DESCRIPTION

Camden Door Controls CM-2510 Series combination switches are heavy-duty, ADA-compliant door controls. The 4 1/2" x 4 1/2" rectangular faceplates are stainless steel, and the assembly is designed for easy installation directly on a double gang electric box. The push plate switch is rated 3 AMP @ 30V DC and provides virtually silent operation. The keyswitch includes a SPST maintained switch standard, rated 6 AMP @ 30V DC.

### 2. SPECIFICATIONS

Voltage	12/24V AC/DC
Contact Type	N/O SPST
Switch Type	Momentary
Contact Rating	Push Plate: 3A@30V DC Key Switch: 6A@30V DC
Temp. Range	-40°F to 140°F (-40°C to 60°C)
Std. Finish	CM-2510: US32/C32D
Dimensions	<b>CM-2510 SERIES:</b> 4 1/2" H x 4 1/2" W x 1 15/16" D (114mm x 114mm x 49mm)

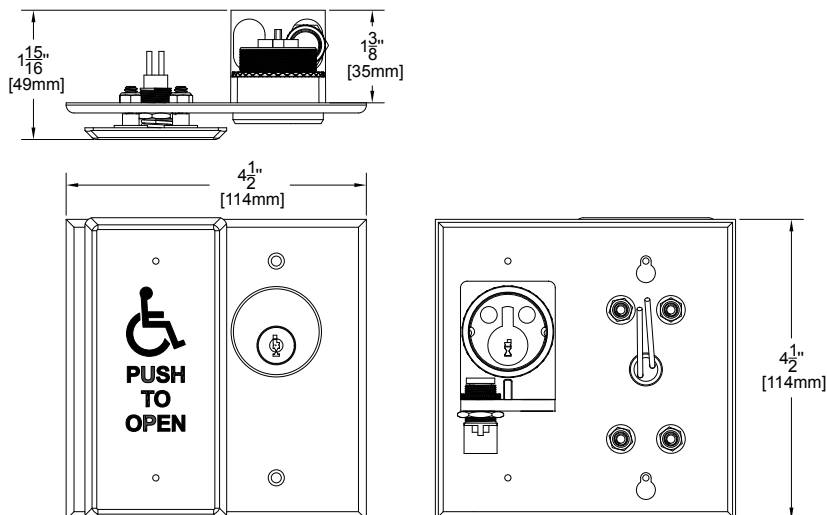
### 3. APPLICATION

Camden switches are designed for areas where an easy-to-activate, high-visibility switch is desired. Ideal for high-traffic areas, hospitals, wheelchair access, seniors' residences, etc. They can be surface or flush mounted.

Camden combination key switch and push plate switches are designed to control electric strikes, electromagnetic locks and automatic doors. The keyswitch may be used for "after hours" entry in an apartment application or to turn an automatic door ON/OFF. They may also be used for shunting, bypassing alarms, request to exit, timed functions and many other applications.

Camden vestibule switches are designed to control two automatic doors in vestibules. The switches are made for high frequency usage for both indoor and outdoor environments. Camden switches are versatile and can be supplied in various configurations and finishes to suit any commercial, industrial or institutional application.

### 4. DIMENSIONS



# CM-2510 Double Gang Push Plate/Key Switch

INSTALLATION INSTRUCTIONS

## 5. INSTALLATION AND WIRING

### Mounting Options:

- The CM-2510 can be installed using either flush or surface mounting methods.

### Selecting a Surface Mount Enclosure:

- Refer to the "Parts and Information" section (Page 3) to choose a suitable Enclosure.

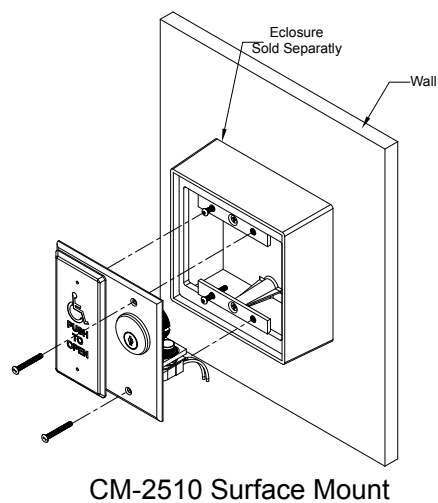
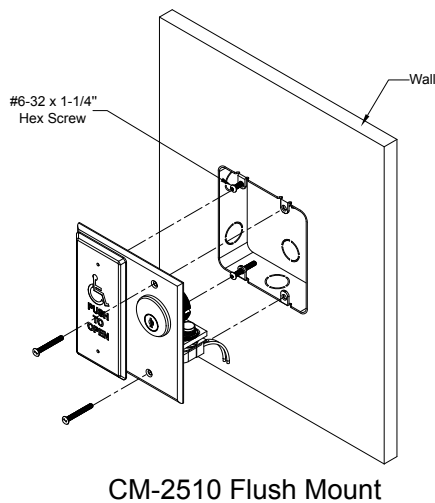
### Installation Process:

- Use two #6-32 x 3/4" screws for mounting Key Switch portion.

- Insert the screws into the designated mounting holes, but do not fully tighten them at this stage.

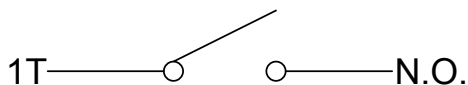
### Attaching the Switch:

- Align the CM-2510 so that the screw heads slide into the slots on the back of the switch.
- Once the CM-2510 is in position, proceed to secure it in place.
- Insert the hex key into the holes on the faceplate to access and tighten the screws.
- Finally tighten two screws used to mount Key Switch portion.

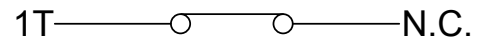


## WIRING

Switch is not pressed  
SPST



Switch is pressed  
SPST



Momentary: When the switch is pressed, the current pole will change to the opposite state until released

WIRING LAYOUT & COLOR CODING		
SWITCH TYPE	SPST N.O.	SPST N.C.
COMMON	BLACK	BLACK
NORMALLY OPEN	BLACK	
NORMALLY CLOSED		BLACK

**6.PARTS INFORMATION**

FACE PLATE GRAPHIC OPTIONS	
PART NUMBER	DESCRIPTION
CM-XX/1	BLANK STAINLESS STEEL FACEPLATE
CM-XX/2	WHEELCHAIR LOGO IN BLUE
CM-XX/A2	FACEPLATE WITH MAN IN ACTION LOGO IN BLUE
CM-XX/3	"PUSH TO OPEN" GRAPHICS IN BLACK
CM-XX/3F	"POUSSEZ POUR OUVRIR" GRAPHICS IN BLACK
CM-XX/4	WHEELCHAIR LOGO WITH "PUSH TO OPEN" LOGO IN BLUE
CM-XX/A4	MAN IN ACTION LOGO WITH 'PUSH TO OPEN' LOGO IN BLUE
CM-XX/4F	WHEEL CHAIR LOGO WITH "POUSSEZ POUR OUVRIR" LOGO IN BLUE
COMPATIBLE MOUNTING BOXES	
PART NUMBER	DESCRIPTION
CM-53	BLACK POLYMER (ABS) SURFACE BOX, STANDARD DEPTH, PROVISION FOR WIRELESS, DOUBLE WALL 4-1/2"W X 4-1/2"H X 2"D