

CX-95S-DH Magnetic Door Holder



BEST VALUE



BEST QUALITY

Camden CX-95S-DH Magnetic Door Holder is designed for virtually any remote door release application. The UL-listed Magnetic Door Holder controls the release and closing of commercial and public area doors, ideal for use in apartment buildings, schools, hotels, hospitals, and offices.

Fail-safe operation, tri-volt coils, and an adjustable armature plate allow for easy and flexible installation. Camden Magnetic Door Holders may be surface or flush mounted, with all mounting hardware included in the kit. Optional extension bars are also available.

Features

- Multiple voltages: 12/24V, AC/DC, 120 VAC
- Armature plate adjusts to door alignment
- Surface or flush mounting options
- Up to 35 lbs (16 kg) holding force
- Used for door release in public, industrial and commercial applications
- 3" & 7" extension bars available
- 2 year warranty



SPECIFICATIONS

VOLTAGE: 12/24V AC/DC, 120V AC

CURRENT DRAW: 55mA @ 12V AC
57mA @ 12V DC, 32mA @ 24V AC
34mA @ 24V DC, 30mA @ 120V AC

STATIC HOLD FORCE: **12V AC/DC:** Up to 30 lbs.
24V AC/DC: Up to 35 lbs.
120V AC: Up to 18 lbs.

MOUNT OPTIONS: Surface or Flush Mount

DIMENSIONS: **Surface Mount Magnet:**
2-3/4" W x 4-5/8" L x 2-1/2" D
(70mm x 116mm x 62 mm)

Flush Mount Magnet:
2-3/4" W x 4-5/8" L x 1-3/4" D
(70mm x 116mm x 44mm)

Armature Plate:
2-9/16" W x 2-9/16" L x 2-7/8" D
(65mm x 65mm x 74mm)

ORDERING INFORMATION

MODEL

CX-95S-DH Magnetic Door Holder Surface/Flush Mount

EXTENSION BARS

CX-95S-3E 3" Magnetic Door Holder Extension Bar

CX-95S-7E 7" Magnetic Door Holder Extension Bar

EXTENSION BARS

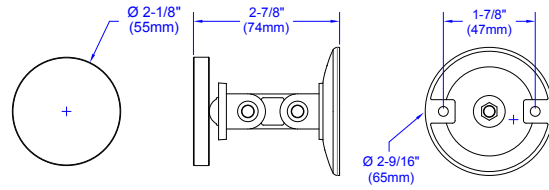


3" Extension Bar

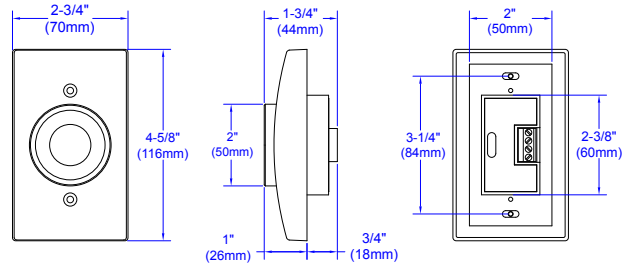


7" Extension Bar

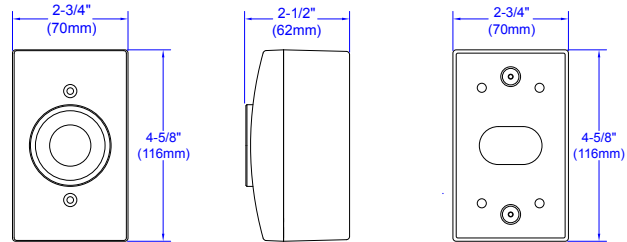
DIMENSIONS



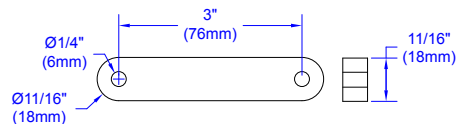
Armature Plate



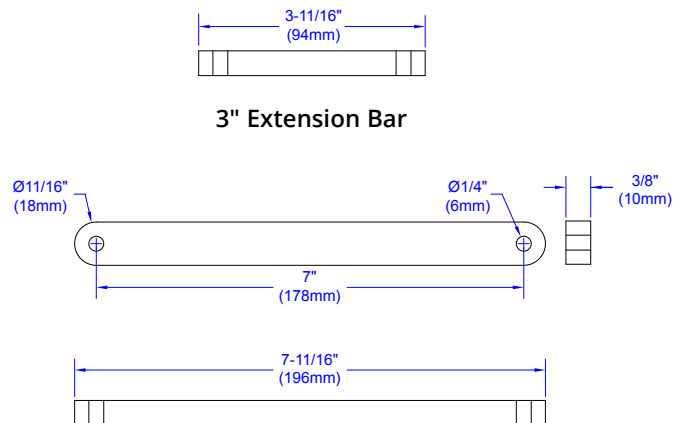
Flush Mount



Surface Mount



3" Extension Bar



7" Extension Bar



CAMDEN
DOOR CONTROLS

Opening New Doors to Innovation, Quality, and Support!

2395 Skymark Ave, Mississauga, ON Canada L4W 4Y6 • Toll Free: 1(877) 226-3369 (CAMDEN9)

Tel: (905) 366-3377 | Fax: (905) 366-3378 | E-mail: info@camdencontrols.com | www.camdencontrols.com



Certified ISO 9001:2015

FS 541752

Part #: MKTG-LIT-SP-CX-95S-DH