

CM-47SER

INSTALLATION INSTRUCTIONS

THIS PACKAGE INCLUDES:

- (1) Extension Ring
- (1) CM-47S Black Polymer (ABS) Flame and Impact Resistant Enclosure
- (1) Parts Kit

1. GENERAL DESCRIPTION

Camden Door Controls CM-47SER round surface mount box and extension ring can be mounted with the CM-40 series 'all active' heavy-duty, ADA compliant door activation switches. These switches are UL/CSA approved and optional Weatherproof, watertight coating are available.

2. SPECIFICATIONS

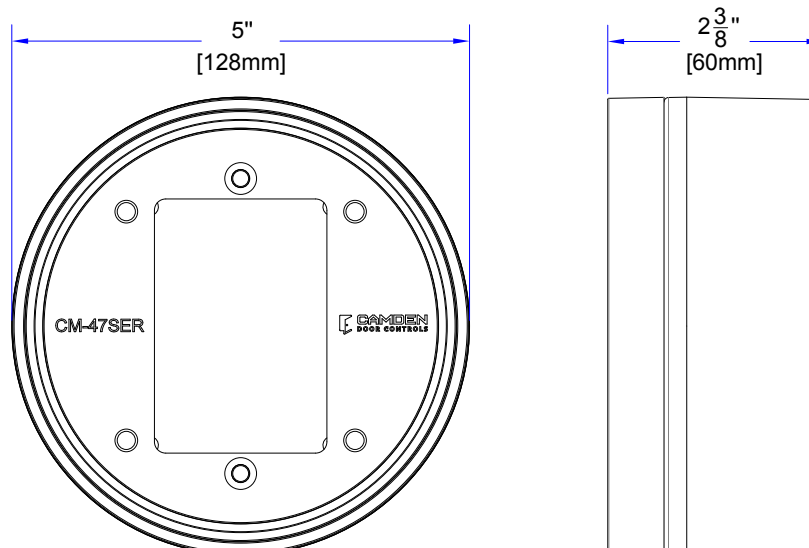
Dimensions	CM-47SER: 5" DIA x 2-3/8"D (128mm x 60mm)
------------	--

3. INSTALLATION

ALL ACTIVE SWITCH INSTALLATION:

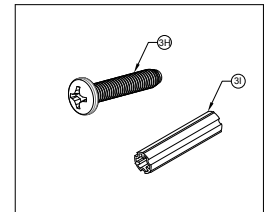
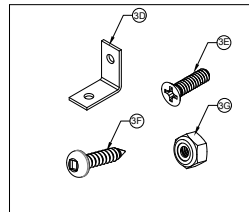
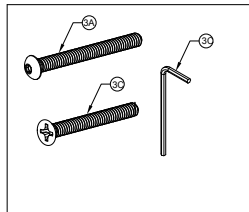
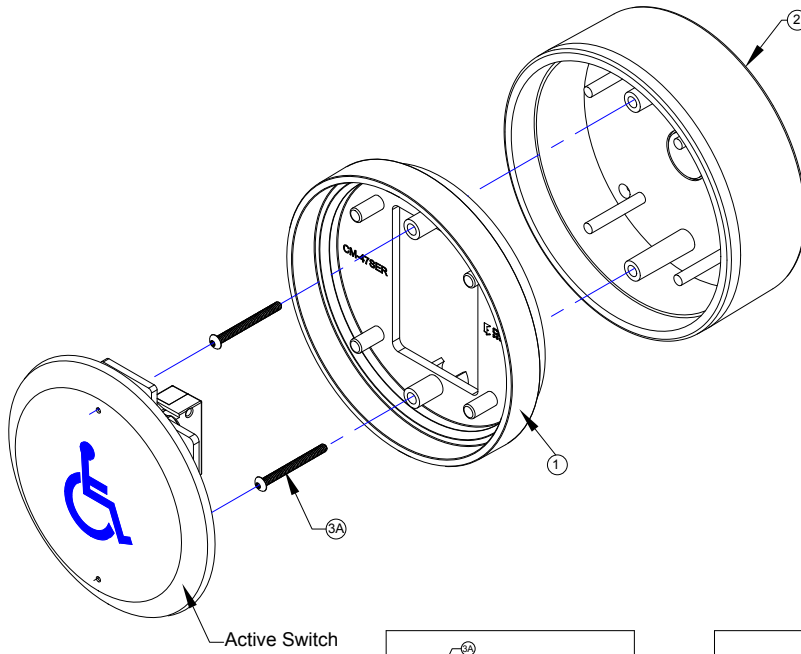
Firmly mount the Black polymer (ABS) box against a surface or a wall. Place the extension ring over the round enclosure. Align the crescents with the middle standoff of the round box to help keep the ring in place. Screw the two 6-32 x 1-1/2" screws through the ring and into the round box. Don't screw all the way, leave about 1/4" of room for the switch to be mounted. To place the switch onto the ring, start with the bottom, slide the groove at the bottom of the backplate over the screw then put the top screw through the cut-out at the top of the backplate and slide the switch down. Take a screwdriver or the supplied hex key and tighten the socket head screws, securing the switch in place.

4. CM-47SER SERIES FRONT AND SIDE VIEW



CM-47SER

5. PARTS INFORMATION



MODEL NUMBERS

ITEM NUMBER	MODEL NUMBER	QTY	DESCRIPTION
1.	60-40K003	1	CM-47S EXTENSION RING
2.	60-42C007	1	CM-47S SURFACE, ROUND, STANDARD DEPTH, PROVISION FOR WIRELESS, BLACK POLYMER (ABS) FLAME AND IMPACT RESISTANT, 5" X 1-3/4" D

PARTS KIT

ITEM NUMBER	PART NUMBER	QTY	DESCRIPTION
3.	60-34B097	1	(A) 6-32 X 1-1/2" BUTT HEAD SOCKET CAP SCREW (2 Pcs) (B) 6-32 X 1-1/4" FLAT HEAD STAINLESS STEEL PHILLIPS SCREW (2 Pcs) (C) SMALL HEX KEY, 5/64" SHORT ARM (1 Pc)
		1	(D) MOUNT BRACKET 1" X 1" X 1/2" (2 Pcs) (E) 6-32 X 1/2" FLAT HEAD PHILLIPS SCREW (2 Pcs) (F) #6 X 5/8" FLAT HEAD ROBERTSON SCREW (2 Pcs) (G) 6-32 NYLON LOCK NUTS (2 Pcs)
		1	(H) #10 X 1" PAN HEAD PHILLIPS WOOD SCREW (4 Pcs) (I) GREEN PVC ANCHORS, 10-24 SCREWS (4 Pcs)