



CM-54, CM-55 AND CM-57 ILLUMINATED PUSH PLATE KITS



KEY SWITCHES

PUSH BUTTONS

MOUNTING OPTIONS

RF CONTROLS

HANDS-FREE SWITCHES

SPECIAL PURPOSE SWITCHES

KEYPADS

ACCESSORIES

FEATURES

- ILLUMINATED SURFACE AND FLUSH MOUNTING BOXES, COMPATIBLE WITH CAMDEN CM-45 AND CM-46 4 1/2" SQUARE AND CM-40 4 1/2" ROUND PUSH PLATE SWITCHES
- HIGH EFFICIENCY LED TECHNOLOGY
- IMPROVES SWITCH VISIBILITY, EVEN IN DAY LIGHT
- SELECTABLE 12 OR 24V AC/DC
- FLAME AND IMPACT RESISTANT POLYCARBONATE BOX
- OPTION FOR SIGNAGE FOR RESTROOM CONTROL APPLICATIONS
- FIELD SELECTABLE ILLUMINATION (IDLE AND ACTIVE)
- CHANGE OF COLOR ACTIVATED DIRECTLY (BY SWITCH), OR REMOTELY (BY CONTROL RELAY OR ACCESS CONTROL SYSTEM)
- AUDIBLE (SOUNDER) CONFIRMATION OF SWITCH ACTIVATION (SELECTABLE 'ON'/'OFF')
- FORM 'C' CONTACTS, RATED 3 AMPS.
- OPTION FOR LAZERPOINT RF™ WIRELESS TRANSMITTER
- DIRECT POWER CONNECTION FOR TX-9 TRANSMITTER MEANS NO BATTERIES REQUIRED



CM-54/2/GR
(with switch Square Surface)



CM-55/4/GR
(with switch Square Flush)



CM-57/4/GR
(with switch Round Flush)

DESCRIPTION

Camden Door Controls, Aura™ CM-54, 55 and 57 square and round illuminated push plate kits provide high visibility and enhanced user convenience in ADA compliant automatic door and other applications. The enclosures provide field selection of "idle" color ("on" during the normal state) and "active" color ("on" when the switch is pressed or relay is activated), and an audible sounder and Form 'C' contact.

Aura™ illuminated mounting boxes are compatible with the widest range of 4 1/2" square and round All-Active™ push plate switches in the industry. Options include a complete selection of stock and custom graphic designs, and 9 architectural finishes (including polished brass and bronze).

SPECIFICATIONS

DIMENSIONS:	CM-54: 5 1/4" H x 5 1/4" W x 2 1/8" D (133mm x 133mm x 54mm)
	CM-55: 6 1/2" H x 6 1/2" W x 2" D (165mm x 165mm x 51mm)
	CM-57: 6 5/8" Dia. x 2" Dia. (168mm x 51mm)
OPERATING VOLTAGE:	12 OR 24V AC/DC
CURRENT DRAW:	110MA.
LUMINA:	5760 MCD. (RED), 3780 MCD. (GREEN)
CONTACT TYPE:	1 FORM 'C'
CONTACT RATING:	3 AMPS @ 24V AC/DC
SOUNDER:	85DB

ORDERING INFORMATION

AURA™ ILLUMINATED ENCLOSURES

(SWITCHES, SOLD SEPARATELY)

CM-54B	SURFACE SQUARE ILLUMINATED, BLUE ONLY
CM-54GR	SURFACE SQUARE ILLUMINATED, GREEN/RED, SOUNDER
CM-55B	FLUSH SQUARE ILLUMINATED, BLUE ONLY
CM-55GR	FLUSH SQUARE ILLUMINATED, GREEN/RED, SOUNDER
CM-57GR	FLUSH ROUND ILLUMINATED, GREEN/RED, SOUNDER

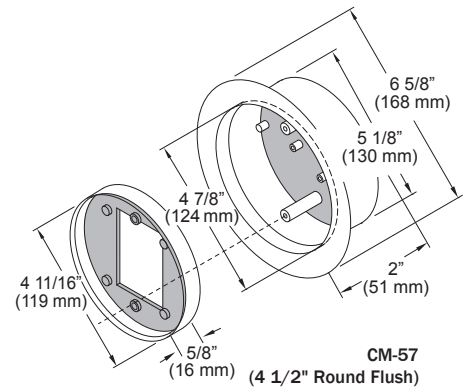
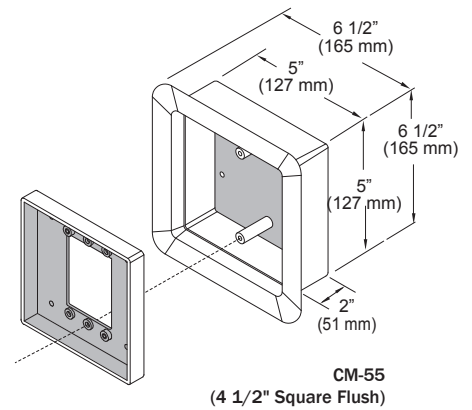
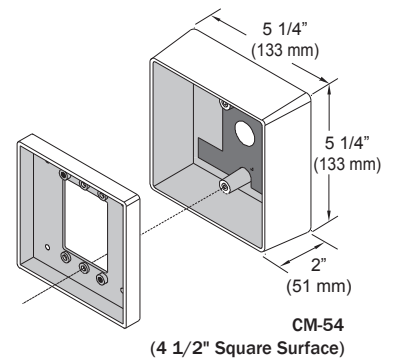
AURA™ ILLUMINATED PUSH PLATE KITS

(X DENOTES GRAPHIC OPTION, 1=PLAIN, 2=WEELCHAIR, ETC.)

CM-40/X/FGR	ROUND, FLUSH ILLUMINATED MOUNTING BOX (CM-57) WITH 4 1/2" ROUND PUSH PLATE SWITCH
CM-45/X/SGR	SQUARE, SURFACE ILLUMINATED MOUNTING BOX (CM-54) WITH 4 1/2" SQUARE PUSH PLATE SWITCH (CONCEALED SCREWS)
CM-45/X/FGR	SQUARE, FLUSH ILLUMINATED MOUNTING BOX (CM-55) WITH 4 1/2" SQUARE PUSH PLATE SWITCH (CONCEALED SCREWS)
CM-46/X/SGR	SQUARE, SURFACE ILLUMINATED MOUNTING BOX (CM-54) WITH 4 1/2" SQUARE PUSH PLATE SWITCH (EXPOSED SCREWS)
CM-46/X/FGR	SQUARE, FLUSH ILLUMINATED MOUNTING BOX (CM-55) WITH 4 1/2" SQUARE PUSH PLATE SWITCH (EXPOSED SCREWS)

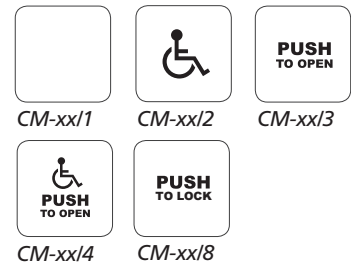
AURA™ RESTROOM CONTROL SIGNS

CM-SE1	ENGLISH, FOR CM-54 SQUARE SURFACE ILLUMINATED MOUNTING BOX. DOUBLE SIDED SIGN: 'DOOR LOCKED WHEN RED' / 'UNLOCKED WHEN GREEN' AND 'OCCUPIED WHEN RED' / 'VACANT WHEN GREEN'.
CM-SF1	FRENCH, FOR CM-54 SQUARE SURFACE ILLUMINATED MOUNTING BOX. DOUBLE SIDED SIGN: 'PORTE BARRÉE' / 'PORTE DÉBARRÉE' AND 'OCCUPÉ' / 'LIBRE'
CM-SFE1	ENGLISH, FOR CM-55 SQUARE FLUSH ILLUMINATED MOUNTING BOX. DOUBLE SIDED SIGN: 'DOOR LOCKED WHEN RED' / 'UNLOCKED WHEN GREEN' AND 'OCCUPIED WHEN RED' / 'VACANT WHEN GREEN'.
CM-SFF1	FRENCH, FOR CM-55 SQUARE FLUSH ILLUMINATED MOUNTING BOX. DOUBLE SIDED SIGN: 'PORTE BARRÉE' / 'PORTE DÉBARRÉE' AND 'OCCUPÉ' / 'LIBRE'
CM-FRE1	ENGLISH, FOR CM-57 ROUND FLUSH ILLUMINATED MOUNTING BOX. DOUBLE SIDED SIGN: 'DOOR LOCKED WHEN RED' / 'UNLOCKED WHEN GREEN' AND 'OCCUPIED WHEN RED' / 'VACANT WHEN GREEN'.
CM-FRF1	FRENCH, FOR CM-57 ROUND FLUSH ILLUMINATED MOUNTING BOX. DOUBLE SIDED SIGN: 'PORTE BARRÉE' / 'PORTE DÉBARRÉE' AND 'OCCUPÉ' / 'LIBRE'



GRAPHIC OPTIONS

Stock graphic options for CM-40, CM-45 and CM-46 push plate kits at no extra cost: 11, 12, 13, 14, 18



Refer to catalog or web site for additional cost of other stock graphic options.

Contact Camden customer service for custom graphics, not shown in catalog.

Note: Not DPDT compatible. Enclosure will not accept DPDT contact option.

